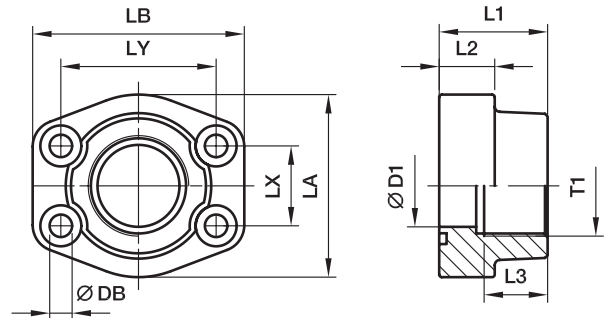


PFF-G SAE Straight 4 bolt flange with BSPP thread

SAE Flange / Female BSPP thread
(ISO 6162-1/-2)



3000 PSI Series

Nom. flange size		T1	D1	L1	L2	L3	LA	LB	LX	LY	DB	Weight (steel) kg/piece	Order code*	PN (bar ¹⁾)	
SAE (in.)	ISO (DN)													S	SS
1/2	13	G 3/8	13	36	16	18	46	57	17.5	38.1	8.9	0.31	PFF32G38	345	345
1/2	13	G 1/2	13	36	16	18	46	54	17.5	38.1	8.9	0.28	PFF32G	345	345
3/4	19	G 3/4	19	36	18	18	52	65	22.2	47.6	10.6	0.39	PFF33G	345	345
3/4	19	G 1/2	13	36	18	18	52	65	22.2	47.6	10.6	0.42	PFF33G12	345	345
1	25	G 1	25	38	18	20	59	70	26.2	52.4	10.6	0.48	PFF34G	345	345
1	25	G 3/4	19	38	18	18	59	70	26.2	52.4	10.6	0.56	PFF34G34	345	345
1 1/4	32	G 1 1/4	31	41	21	22	68	79	30.2	58.7	10.6***	0.76	PFF35G	276	276
1 1/4	32	G 1	25	41	21	20	68	79	30.2	58.7	10.6***	0.89	PFF35G1	276	276
1 1/2	38	G 1 1/2	38	44	25	24	78	93	35.7	69.9	13.3	1.12	PFF36G	207	207
1 1/2	38	G 1 1/4	32	45	27	22	78	93	35.7	69.9	13.3	1.21	PFF36G114	207	207
2	51	G 2	50	45	25	26	89	103	42.9	77.8	13.5	1.32	PFF38G	207	207
2	51	G 1 1/2	38	45	25	24	89	103	42.9	77.8	13.5	1.65	PFF38G112	207	207
2 1/2	64	G 2 1/2	63	50	25	30	108	114	50.8	88.9	13.5	1.73	PFF310G	172	172
2 1/2	64	G 2	51	50	25	30	108	114	50.8	88.9	13.5	2.20	PFF310G2	172	172
3	76	G 3	73	50	27	34	124	135	61.9	106.4	17.5	2.38	PFF312G	138	138
3 1/2	89	G 3 1/2	89	48	27	34	136	152	69.9	120.7	16.7	2.50	PFF314G	34	34
4	102	G 4	99	48	27	34	146	162	77.8	130.2	16.7	2.65	PFF316G	34	34
4	102	G 3 1/2	89	48	27	34	146	162	77.8	130.2	16.7	3.30	PFF316G312	34	34
5	127	G 5	120	50	28	30	180	184	92.1	152.4	16.7	5.80	PFF320G	34	34

6000 PSI Series

1/2	13	G 3/8	13	36	16	18	46	57	18.2	40.5	8.9	0.29	PFF62G38	420	420
1/2	13	G 1/2	13	36	16	15	46	57	18.2	40.5	8.9	0.30	PFF62G	420	420
3/4	19	G 3/4	19	36	19	18	55	71	23.8	50.8	10.6	0.53	PFF63G	420	420
3/4	19	G 1/2	13	35	21	19	55	71	23.8	50.8	10.6	0.58	PFF63G12	420	420
1	25	G 1	25	44	24	20	69	81	27.8	57.2	13.3	0.86	PFF64G	420	420
1	25	G 3/4	19	44	24	18	69	81	27.8	57.2	13.3	0.94	PFF64G34	420	420
1 1/4	32	G 1 1/4	31	44	27	22	79	95	31.8	66.7	15.0**	1.16	PFF65G	420	420
1 1/4	32	G 1 1/4	32	45	27	25	78	95	31.8	66.7	13.5	1.23	PFF65/12G	420	420
1 1/4	32	G 1	25	45	27	24	78	95	31.8	66.7	15.0**	1.26	PFF65G1	420	420
1 1/4	32	G 1	25	45	27	25	78	95	31.8	66.7	13.3	1.26	PFF65/12G1	420	420
1 1/2	38	G 1 1/2	38	51	30	24	88	107	36.5	79.4	16.7	1.98	PFF66G	420	420
1 1/2	38	G 1 1/4	32	50	30	25	95	114	36.5	79.4	16.7	2.08	PFF66G114	420	420
2	51	G 2	50	70	37	33	117	136	44.5	96.8	20.6	3.31	PFF68G	420	420
2	51	G 1 1/2	38	65	37	28	114	134	44.5	96.8	20.6	3.76	PFF68G112	420	420
2 1/2	64	G 2 1/2	63	80	45	32	152	180	58.7	123.8	25.0	3.05	PFF610G	420	420
3	76	G 3	73	90	55	40	178	208	71.4	152.4	32.0	3.45	PFF612G	420	420

** DB = 13.3 for UNC Bolts

*** = 12 for UNC Bolts

1) Pressure shown = Item deliverable

*Please add the suffixes below according to the material/surface required.

Order code suffixes					
Material	Suffix surface and material	Example only 4 bolt flange	Example 4 bolt flange incl. metr. bolts and O-ring	Example 4 bolt flange incl. UNC bolts and O-ring	Standard sealing material (no additional suffix needed)
Steel, zinc plated, Cr(VI)-free	CF	PFF32G38CF	PFF32G38CFM	PFF32G38CFU	NBR
Stainless steel	SS	PFF32G38SS	PFF32G38SSM	-	VIT

Stainless steel parts may have dimensional deviations. Additional information on request.

$$\frac{\text{PN (bar)}}{10} = \text{PN (MPa)}$$