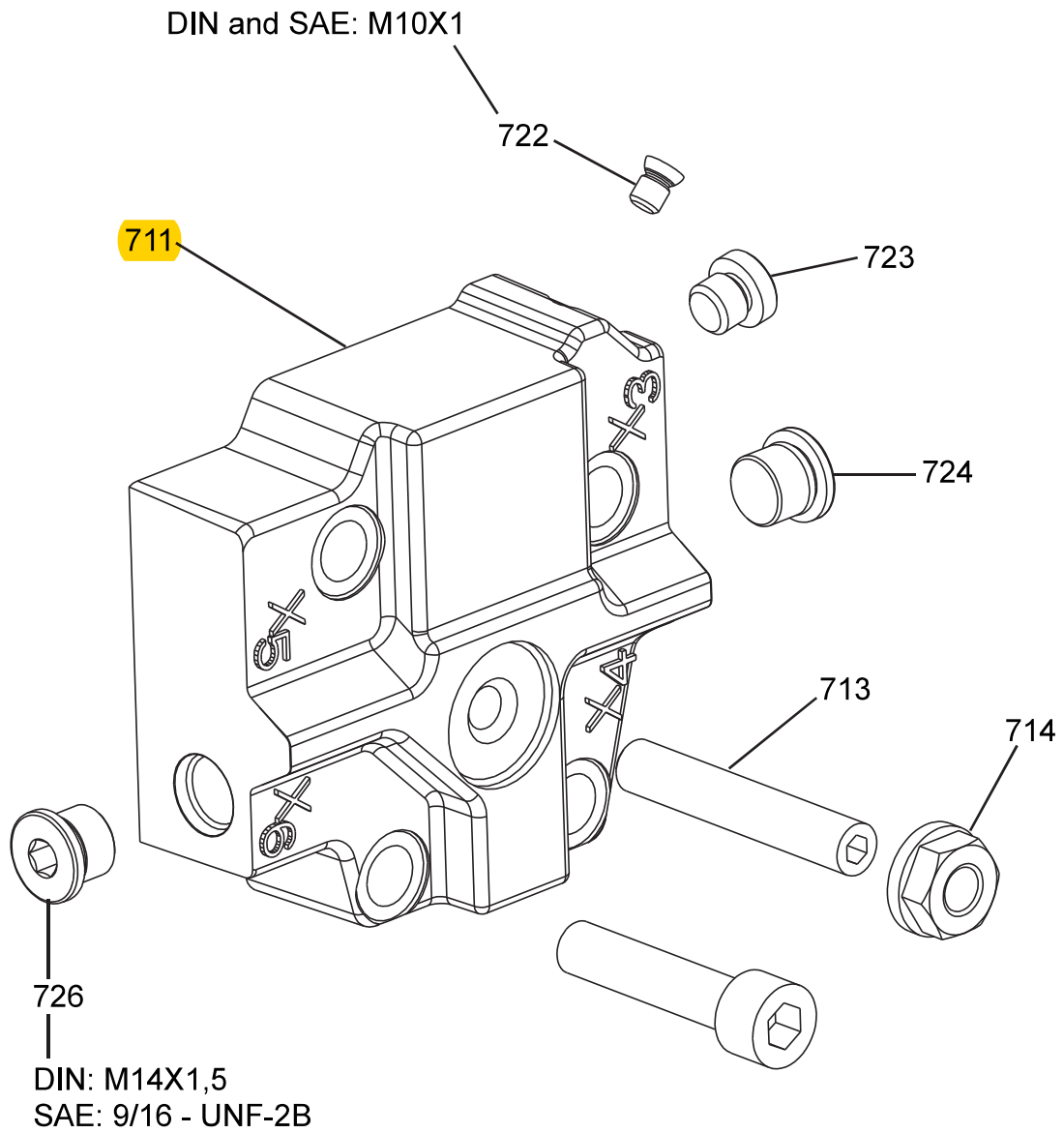


V12-60/160 Control Covers, picture



SP182-1405

V12-60/160 Control Covers, Size 60/80 have new design, see SI 14/01

| Item | Part No | Title | Frame size | Qty | Remarks |
|------|---------|-----------------------|------------|-----|------------------|
| 50 | 3797065 | Seal Cap M10 | | 1 | Red |
| 711 | 3789521 | ISO (ACI-I) | 60 | 1 | Replaces 3785474 |
| 711 | 3789703 | ISO (ACE-I HOS--- | 60 | 1 | Replaces 3799781 |
| 711 | 3789936 | ISO (ACE-E) | 60 | 1 | Replaces 3799781 |
| 711 | 3789732 | ISO (AHE-I) | 60 | 1 | Replaces 3799787 |
| 711 | 3789733 | ISO (AHI-I) | 60 | 1 | Replaces 3799789 |
| 711 | 3789707 | ISO (EOL-- EPL--- | 60 | 1 | Replaces 3799783 |
| 711 | 3789704 | SAE (ACE-I HOS--- | 60 | 1 | Replaces 3799782 |
| 711 | 3789937 | SAE (ACE-E) | 60 | 1 | Replaces 3799782 |
| 711 | 3789730 | SAE (ACI-I) | 60 | 1 | Replaces 3799786 |
| 711 | 3789734 | SAE (AHI-I) | 60 | 1 | Replaces 3799790 |
| 711 | 3789720 | SAE (EOL--- EPL--) | 60 | 1 | Replaces 3799784 |
| 711 | 3789938 | SAE (EOL-E) | 60 | 1 | Replaces 3799784 |
| 711 | 3789745 | ISO (ACE-I HOS--- | 80 | 1 | Replaces 3799797 |
| 711 | 3789939 | ISO (ACE-E) | 80 | 1 | Replaces 3799797 |
| 711 | 3789735 | ISO (ACI-I) | 80 | 1 | Replaces 3799791 |
| 711 | 3789742 | ISO (AHI-I) | 80 | 1 | Replaces 3799795 |
| 711 | 3789737 | ISO (EOL--- EPL--- | 80 | 1 | Replaces 3799793 |
| 711 | 3789746 | SAE (ACE-I HOS--- | 80 | 1 | Replaces 3799798 |
| 711 | 3789940 | SAE (ACE-E) | 80 | 1 | Replaces 3799798 |
| 711 | 3789736 | SAE (ACI-I) | 80 | 1 | Replaces 3799792 |
| 711 | 3789743 | SAE (AHI-I) | 80 | 1 | Replaces 3799796 |
| 711 | 3789738 | SAE (EOL--- EPL--) | 80 | 1 | Replaces 3799794 |
| 711 | 3799803 | ISO (ACE-I HOS--- | 110 | 1 | Replaces 3793139 |
| 711 | 3799801 | ISO (ACI-I) | 110 | 1 | Replaces 3794275 |
| 711 | 3795568 | ISO (AEI) | 110 | 1 | Brake def. |
| 711 | 3799809 | ISO (AHE-I) | 110 | 1 | Replaces 3794651 |
| 711 | 3799807 | ISO (AHI-I) | 110 | 1 | Replaces 3794650 |
| 711 | 3799805 | ISO (EOL--- EPL--- | 110 | 1 | Replaces 3794202 |
| 711 | 3799804 | SAE (ACE-I HOS--- | 110 | 1 | Replaces 3793671 |
| 711 | 3799802 | SAE (ACI-I) | 110 | 1 | Replaces 3794274 |
| 711 | 3799810 | SAE (AHE-I) | 110 | 1 | Replaces 3794653 |
| 711 | 3799808 | SAE (AHI-I) | 110 | 1 | Replaces 3794652 |
| 711 | 3799806 | SAE (EOL--- EPL--- | 110 | 1 | Replaces 3794201 |
| 711 | 3799813 | ISO (ACE-I HOS--- | 160 | 1 | Replaces 3796223 |
| 711 | 3799811 | ISO (ACI-I) | 160 | 1 | Replaces 3796224 |
| 711 | 3799819 | ISO (AHE-I) | 160 | 1 | Replaces 3796225 |
| 711 | 3799817 | ISO (AHI-I) | 160 | 1 | Replaces 3796216 |
| 711 | 3799815 | ISO (E-----) | 160 | 1 | Replaces 3796217 |
| 711 | 3799814 | SAE (ACE-I HOS--- | 160 | 1 | Replaces 3796165 |
| 711 | 3799812 | SAE (ACI-I) | 160 | 1 | Replaces 3796215 |
| 711 | 3799820 | SAE (AHE-I) | 160 | 1 | Replaces 3796226 |
| 711 | 3799818 | SAE (AHI-I) | 160 | 1 | Replaces 3796227 |
| 711 | 3799816 | SAE (E-----) | 160 | 1 | Replaces 3796228 |
| 713 | 975616 | Set Screw M10x80 | | 1 | |
| 713 | 975615 | Set Screw M10x70 | 60,80 | 1 | For seal cap |
| 713 | 975614 | Set Screw M10x60 | 110,160 | 1 | For seal cap |
| 714 | 3799011 | Seal Nut M10 | | 1 | Only status D |
| 715 | 3792367 | Seal Washer | | 1 | Status A/C |
| 718 | 3701127 | Expanding Plug 6 | | 1 | |
| 722 | 3795603 | Seal Plug M6 | | 1 | Alt. |
| 722 | 3793398 | Plug Ass. M10 | | 1 | Alt. |
| 723 | 3707297 | Hexag. Plug Assy 9/16 | | 1 | |
| 724 | 3707297 | Hexag. Plug Assy 9/16 | | 1 | |
| 724 | 3791725 | Plug Ass. M14x1.5 | | 1 | |
| 726 | 3707297 | Hexag. Plug Assy 9/16 | | 1 | |