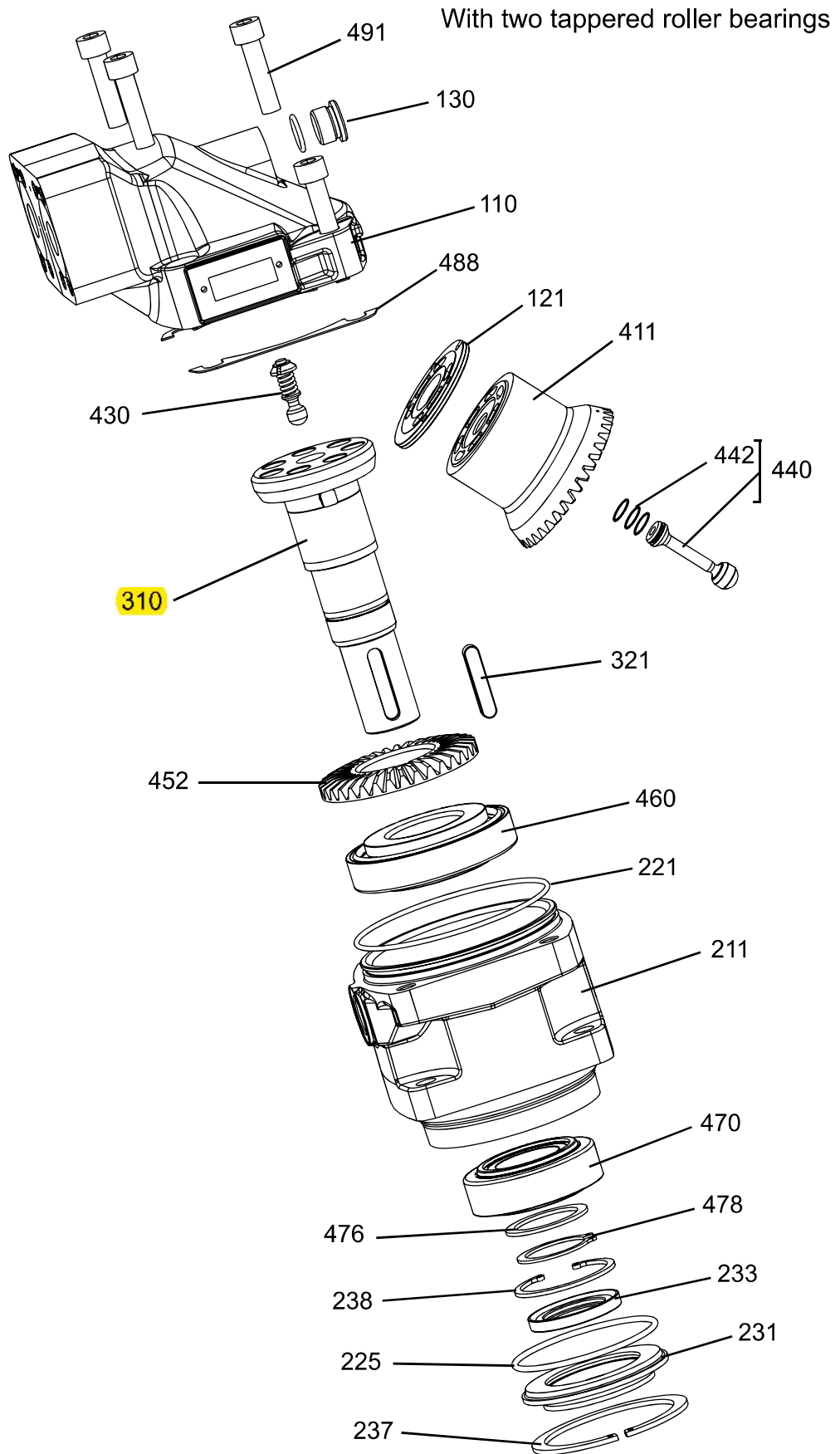


Split View  
Series F12



F12-080 all types from serial no. 1998491161 and up.

With two tapered roller bearings and without needle bearings.

Item	Part No	Title	Benämning	Qty	Remarks
110	3780658	Barrel Housing Assy	Trumhus kpl	1	Type F
110	3780660	Barrel Housing Assy	Trumhus kpl	1	Type S
110	3780156	Barrel Housing Assy	Trumhus kpl	1	Type F, For Flushing
110	3780157	Barrel Housing Assy	Trumhus kpl	1	Type S, For Flushing
110	3785809	Barrel Housing Assy	Trumhus kpl	1	Type U
121	3709709	Valve Plate	Ventilskiva	1	Type L
121	3792773	Valve Plate	Ventilskiva	1	Type M
121	3709708	Valve Plate	Ventilskiva	1	Type R
130	3708150	Hex Socket Plug Assy	Insexpropp kpl	1	For S-Housing
130	3793563	Hex Socket Plug Assy	Insexpropp kpl	1	For F-Housing
211	3780709	Bearing Housing	Lagerhus	1	Type C "See SI 98/11"
211	3780327	Bearing Housing	Lagerhus	1	Type C "Speed sensor"
211	3780710	Bearing Housing	Lagerhus	1	Type I "See SI 98/11"
211	3780813	Bearing Housing	Lagerhus	1	Type I "Speed sensor"
211	3780711	Bearing Housing	Lagerhus	1	Type S "See SI 98/11"
211	3780812	Bearing Housing	Lagerhus	1	Type S "Speed sensor"
211	3780713	Bearing Housing	Lagerhus	1	Type X "See SI 98/11"
221	3782556	O-Ring	O-Ring	1	Nitril Replaces 925265
221	925265	O-Ring	O-Ring	1	Nitril Replaces 948984
225	925260	O-Ring	O-Ring	1	Nitril
225	949841	O-Ring	O-Ring	1	Viton
229	3792875	O-Ring	O-Ring	1	Nitril
229	976642	O-Ring	O-Ring	1	Viton
231	3796200	Seal Carrier	Tättringshållare	1	
233	117853	Shaft Seal	Tätningring	1	Type N, Nitril LP
233	3786395	Shaft Seal	Tätningring	1	Type V, repl. 117853, 3795085, 3793420
237	914550	Retaining Ring	Spärring	1	
238	914537	Retaining Ring	Spärring	1	
256	3793171	Bleeder Plug	Luftningspropp	1	For C-Housing
257	945653	Seal Washer	Tätbricka	1	For C-Housing
310	3780671	Shaft	Axel	1	Type C "See SI 98/11"
310	3780673	Shaft	Axel	1	Type D "See SI 98/11"
310	3780667	Shaft	Axel	1	Type K "See SI 98/11"
310	3780669	Shaft	Axel	1	Type S "See SI 98/11"
310	3780675	Shaft	Axel	1	Type T "See SI 98/11"
310	3780677	Shaft	Axel	1	Type U, Max 350 Bar
315	3709308	Guide Pin	Styrtapp	1	
321	3709687	Flat Key	Plattkil	1	For T
321	948125	Flat Key	Plattkil	1	For K
411	3787843	Cylinder Barrel	Cylindertrumma	1	See SI 09/05
411	3787844	Cylinder Barrel	Cylindertrumma	1	Pump version See SI 09/05
430	3709840	Barrel Support	Trumstöd	1	
440	3709307	Piston Assy	Kolv kpl	7	
442	3705784	Piston Ring	Lamellring	21	Not available see SI 08/02
452	3787847	Ring gear	Kuggkrans	1	See SI 09/05
460	184694	Tap Rol Bearing	Kon rullager	1	
470	118231	Tap Rol Bearing	Kon rullager	1	