



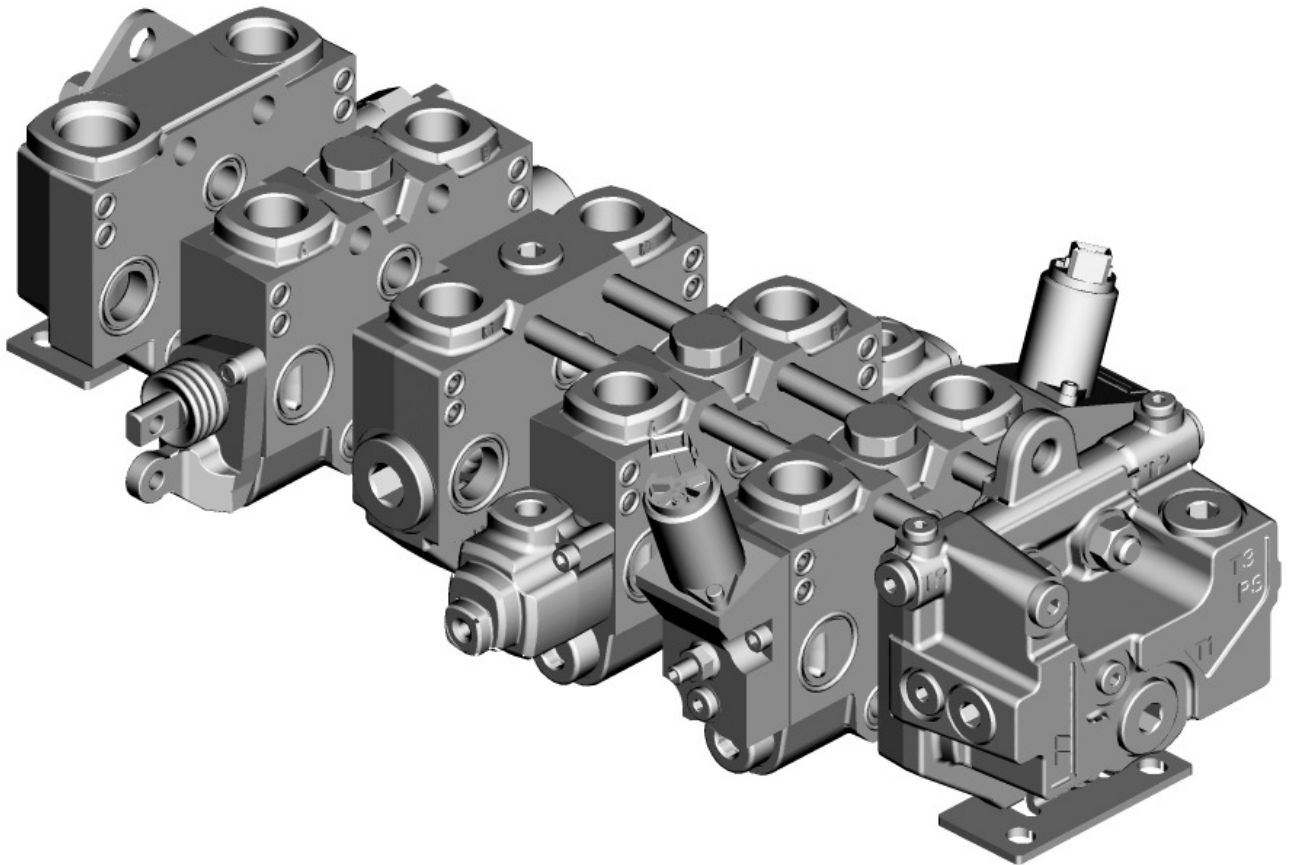
Bulletin HY17-8814-M1/UK

Spare Parts List

Series F130CF/F130CP

Effective date: November 20, 2015

Supersedes: November 20, 2014



This list of spare parts is designed to give you a good idea of the components included in the product range for valves. To see precisely which component is used for a specific product, you will need to look at the customer specification for the product in question. The customer specification contains a number of entries, and for each entry, a code pressure or flow is specified with a code or a number. To help you find your way around, this list of spare parts contains references to these entries and codes.

Codes on the image page of the list of spare parts usually appear in bold and enclosed in a border. The table page contains available spare part sets. The ordering code is the product code that appears in the Part column.

The spare part to be used is determined by the first two columns, which contain the entry and the code from the customer specification. If these columns are empty, the spare part set is valid regardless of the selected code, unless indicated otherwise

The symbols in the frame below are used in this Spare Parts List to help you find the right tools, the right torques, suitable grease etc.









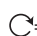





Technical index description

- 1 = Item pos. no. 1.
- 1(2x) = Item pos. no. 1, contains 2 pieces in the kit
- 1[2] = Item pos. no. 2 already mounted on item pos. no. 1 at delivery.
- 1[2](2x) = Item pos. no. 1 (see above) contains 2 pieces in the kit.

Conversion factors

- 1 kg = 2.2046 lb
- 1 N = 0.22481 lbf
- 1 Nm = 0.10197 kpm
- 1 bar = 14.504 psi
- 1 l = 0.21997 UK gallon
- 1 l = 0.26417 US gallon
- 1 cm³ = 0.061024 in³
- 1 m = 3.2808 feet
- 1 mm = 0.03937 in
- 1°C = (9/5x°C+32)°F

Symbols for servicing

-  = Phillips screw
-  = Slot screw
-  = Socket head dimensions in mm and/or inch
-  = Hexagon dimensions in mm and/or inch
-  = Sixpoint socket
-  = Wrench size in mm and/or inch or special assembly/disassembly tool needed. No...
-  = Factory preadjusted item, see appendix A
-  = Thread for disassembly type...
-  = Tightening torque in Nm
-  = Use locking/sealing fluid type...
-  = Use corrosion preventative type...
-  = Use hydraulic liquid for lubrication
-  = Use grease type...
-  = Spool classifies by size, see appendix A



WARNING - USER RESPONSIBILITY

FAILURE OR IMPROPER SELECTION OR IMPROPER USE OF THE PRODUCTS DESCRIBED HEREIN OR RELATED ITEMS CAN CAUSE DEATH, PERSONAL INJURY AND PROPERTY DAMAGE.

This document and other information from Parker-Hannifin Corporation, its subsidiaries and authorized distributors provide product or system options for further investigation by users having technical expertise.

The user, through its own analysis and testing, is solely responsible for making the final selection of the system and components and assuring that all performance, endurance, maintenance, safety and warning requirements of the application are met. The user must analyze all aspects of the application, follow applicable industry standards, and follow the information concerning the product in the current product catalog and in any other materials provided from Parker or its subsidiaries or authorized distributors.

To the extent that Parker or its subsidiaries or authorized distributors provide component or system options based upon data or specifications provided by the user, the user is responsible for determining that such data and specifications are suitable and sufficient for all applications and reasonably foreseeable uses of the components or systems.

Offer of Sale

Please contact your Parker representation for a detailed "Offer of Sale".

Contents

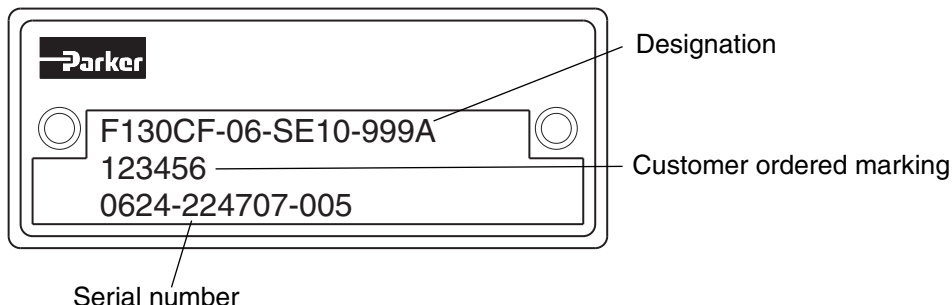
List of contents	Page
Conventional Inlet Options I	
PS, PB, L, B, P1B, P2B, T2B, Y, CUI, CUI2, LSI.....	4
Inlet Options IU	
PS, PB, Y, N3, X3, BEN.....	6
Mid-Inlet Options MI	
C2	8
C3, C5, PS, PB, Y	10
Spool Actuators	
C, B3, SI2, A13, A20, A40, A67, A323, Lever brackets LMA, LMB, LM+A92, LJA, LJB, LJ+A92, LJ+A208, LU, LU2....	12
ACE.....	14
ACP.....	16
PC30, PC40, EC1, EC2, EC3, EC4, ECS1, ECS2, ECS3, ECS4, A, D, A211..	18
Spool Section Options	
PA, X2, N2, Y2, N, X, MS, EA, EB.....	20
Outlet Options	
USP, US, R35, S, YS, T3B, T1B, TP, TPB, TB, TPC, PT, LD.....	22
Tie rods, Bracket, Intersection seals	24
 Appendix A: Warnings.....	 26
Appendix C: Assembly Instructions. Tools	27
Appendix D: Phased out	31

This spare parts list is valid for F130 generation 2 only. See product designation on the name plate. For spare parts to generation 1 see product information No HY17-8801-M1/UK

Generation 2 has designation in format as shown below:

- F130CF-XX-XXXX-XXX
- F130CF-XX-XXXX-XXXX
- F130CP-XX-XXXX-XXX
- F130CP-XX-XXXX-XXXX

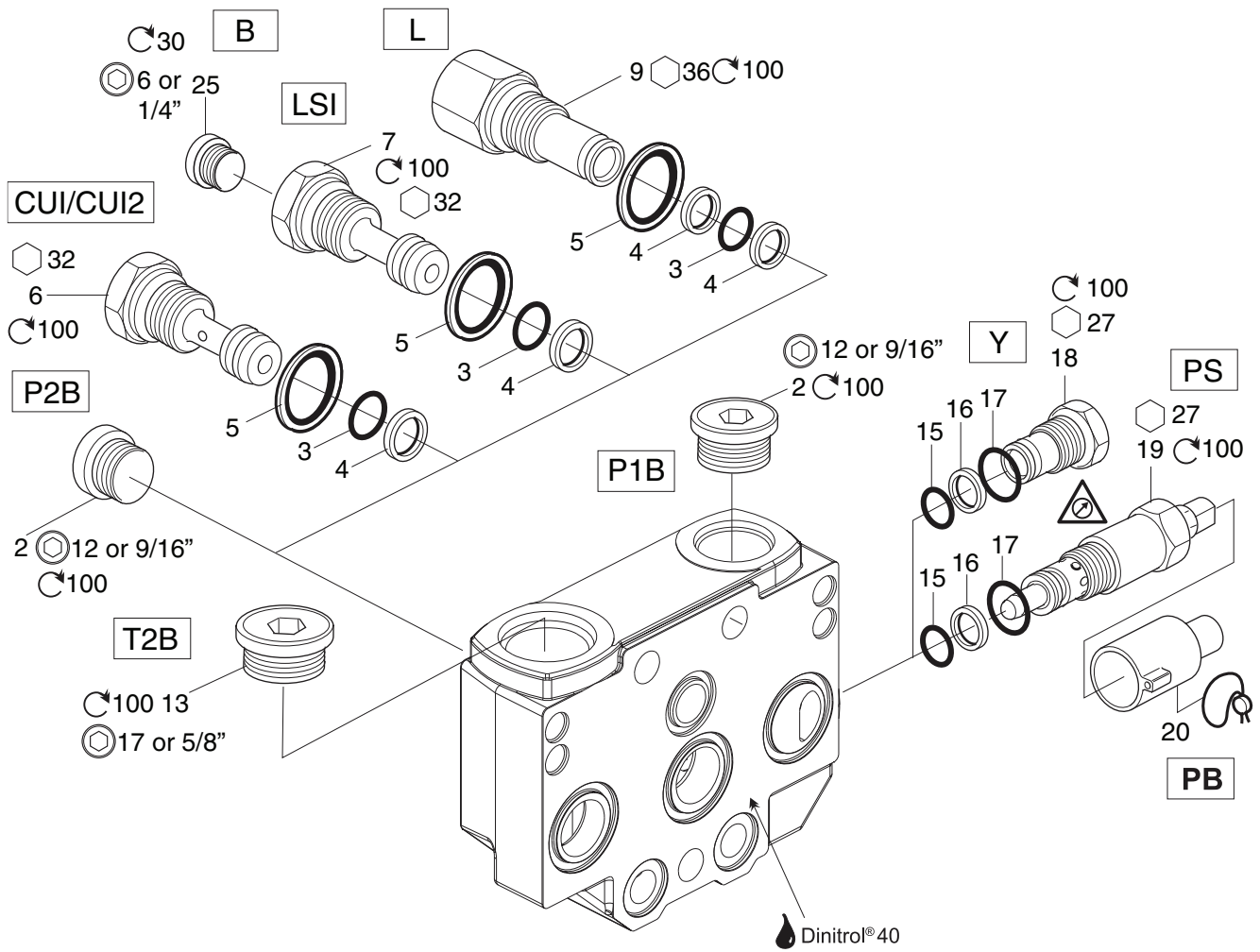
Name plate










Valve serial numbers consist of three groups of digits
The first group shows year and week of manufacture:
In this example, 0624 means week 24 of 2006
The remaining digits are for internal use within Parker

Notice ! Some valves hasn't any designation code stamped. Some valves has the serial number and designation code text line in opposite order than the example above.

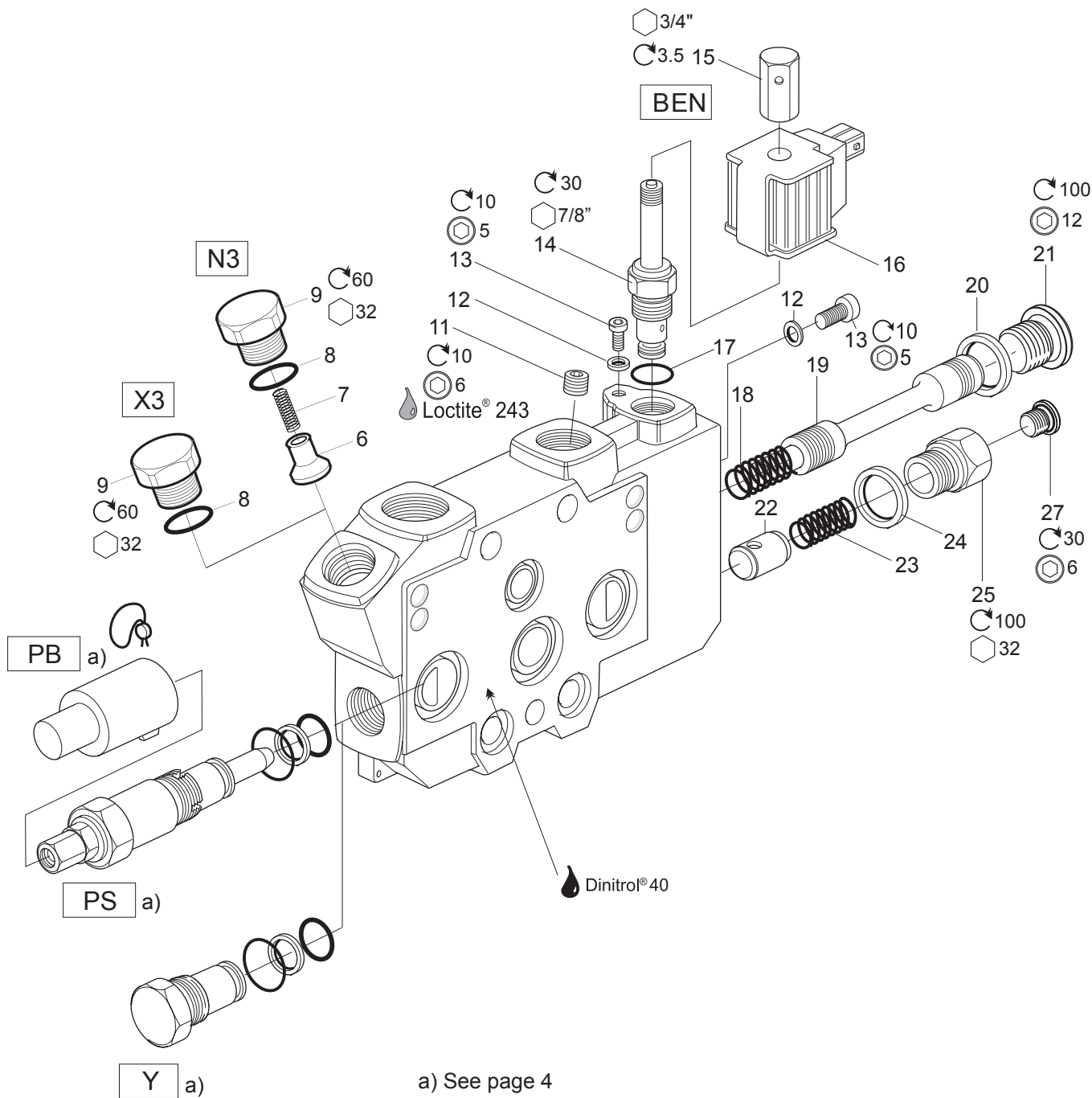
PS, PB, L, B, P1B, P2B, T2B, Y, CUI, CUI2, LSI



See Customer Specification				
Code	Pos	Part	Description	Remarks / Items
L + G	26 + 04	9121580321	Parallel connection adaptor, BSP	9 [3, 4(2x), 5]
L + U	26 + 04	9121580322	Parallel connection adaptor, UNF	9 [3, 4(2x), 5]
B + G	26 + 04	301000K029	Blocking adaptor, BSP	7 [3, 4, 5], 25
B + U	26 + 04	301000K030	Blocking adaptor, UNF	7 [3, 4, 5], 25
B + G	26 + 04	-	Plug VST11/4EDCF	25
B + U	26 + 04	-	Plug 6HP5ON-S	25
LSI + G	26 + 04	9121580323	CP adaptor BSP	7 [3, 4, 5]
LSI + U	26 + 04	6763201	CP adaptor UNF	7 [3, 4, 5]
L,LSI,CUI,CUI2,B + G	26 + 04	9120099804	Seal kit, BSP	3, 4(2x), 5
L,LSI,CUI,CUI2,B + U	26 + 04	9120099803	Seal kit, UNF	3, 4(2x), 5
P1B, P2B + G	26, 27 + 04	-	Plug VST13/4EDCF	2
P1B, P2B + U	26, 27 + 04	-	Plug 12HP5ON-S	2
T2B + G	25 + 04	-	Plug VST11EDCF	13
T2B + U	25 + 04	-	Plug 16HP5ON-S	13
PS + (80 - 125)	16 + 17	9120099960	Main relief valve PLD130, (80 - 125) bar	19 [15, 16, 17] 
PS + (126 - 140)	16 + 17	9120099961	Main relief valve PLD130, (126 - 140) bar	19 [15, 16, 17] 
PS + (141 - 160)	16 + 17	9120099962	Main relief valve PLD130, (141 - 160) bar	19 [15, 16, 17] 
PS + (161 - 210)	16 + 17	9120099963	Main relief valve PLD130, (161 - 210) bar	19 [15, 16, 17] 
PS + (211 - 250)	16 + 17	9120099964	Main relief valve PLD130, (211 - 250) bar	19 [15, 16, 17] 
PS + (251 - 280)	16 + 17	9120099965	Main relief valve PLD130, (251 - 280) bar	19 [15, 16, 17] 
PS + (281 - 320)	16 + 17	9120099966	Main relief valve PLD130, (281 - 320) bar	19 [15, 16, 17] 
PS + (321 - 350)	16 + 17	9120099967	Main relief valve PLD130, (321 - 350) bar	19 [15, 16, 17] 
PB	16	9120099968	Kit for sealing main relief valve	20
Y	16	9120099901	PS cavity plugged, no relief funct.	18 [15, 16, 17]
PS, PB, Y	16	9120099807	Seal kit PS, PB, Y	15, 16, 17
CUI + G	26 + 04	9121580319	CPU adaptor w. orifice \varnothing 0.8, BSP	6 [3, 4, 5]
CUI + U	26 + 04	9121580320	CPU adaptor w. orifice \varnothing 0.8, UNF	6 [3, 4, 5]
CUI2 + G	26 + 04	9120099820	CPU adaptor w. orifice \varnothing 1.5, BSP	6 [3, 4, 5]
CUI2 + U	26 + 04	9120099821	CPU adaptor w. orifice \varnothing 1.5, UNF	6 [3, 4, 5]

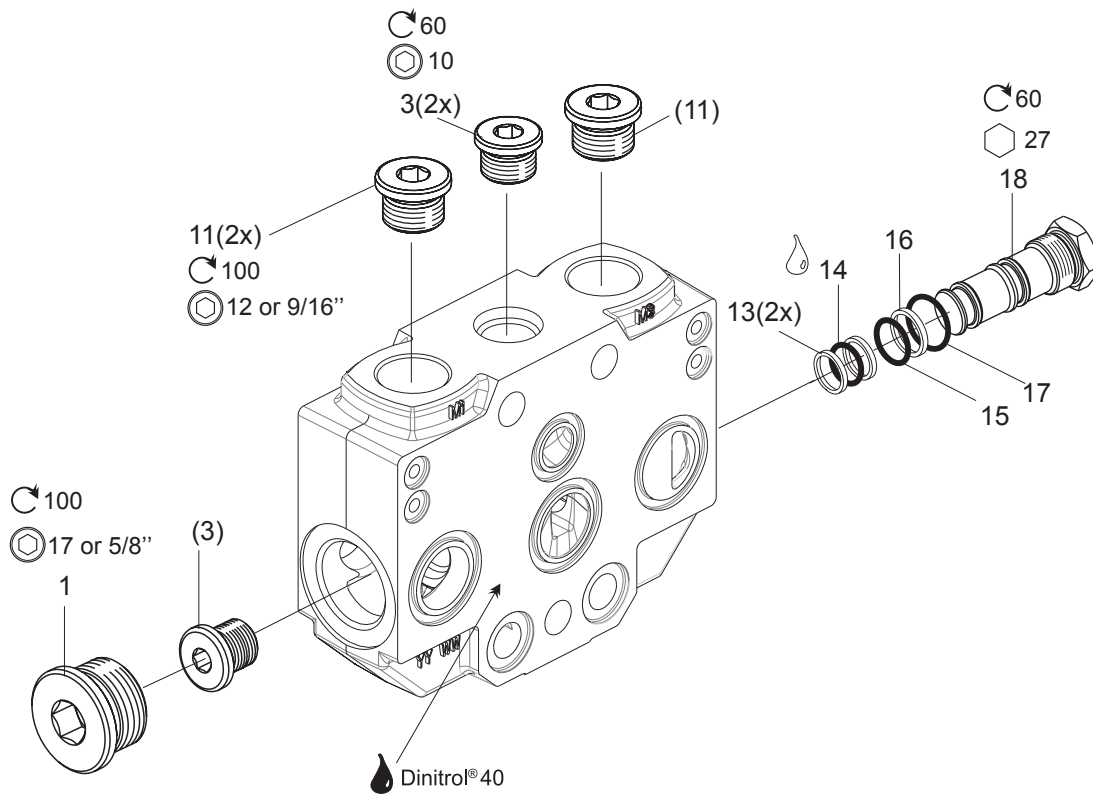
PS, PB, Y, N3, X3, BEN

Inlet with pump unloading



See Customer Specification				
Code	Pos	Part	Description	Remarks / Items
N3	23	9120199902	Check valve	9 [6, 7, 8]
X3	23	9120199903	Plug	8, 9
BEN	22	9120199904	Solenoid valve	14 [15, 17]
BEN + 12	22 + 05	6760414	CCP012A, Coil, 12 VDC	16
BEN + 24	22 + 05	6760415	CCP024A, Coil, 24 VDC	16
IU	15	9120199905	Basic kit	11, 13 [12](2x), 18, 20, 21
IU	15	6760017	Plug kit M6x12	12(2x), 13(2x)
IU	15	393000K067	Counter pressure valve	22, 23, 24, 25, 27
IU	15	9120199907	Seal kit	8, 12(2x), 20, 24
IU	15	-	Plug VST11/4EDCF	27

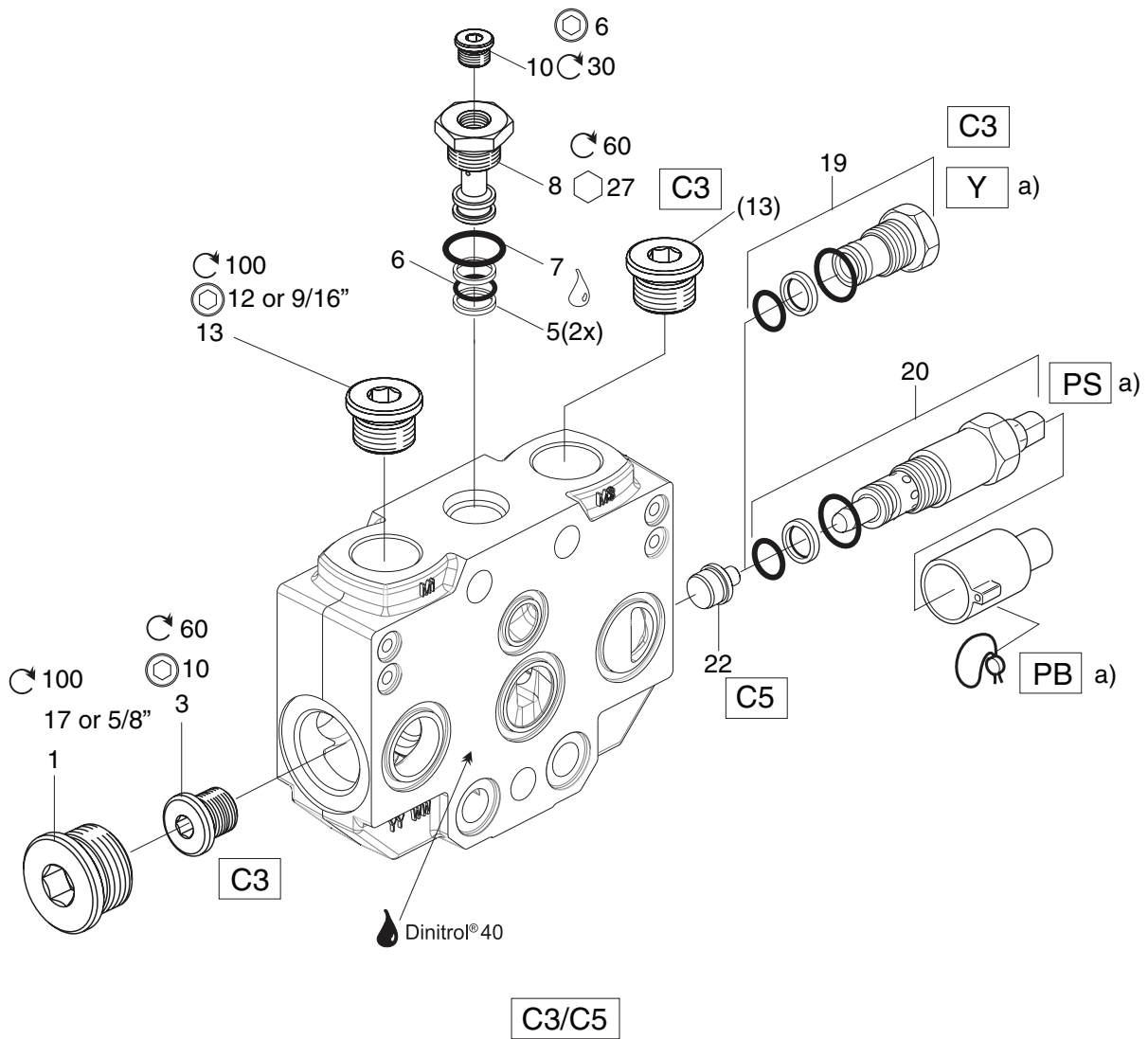
C2



C2

See Customer Specification				
Code	Pos	Part	Description	Remarks / Items
C2	93	-	Plug VSTI1EDCF	1
C2	93	-	Plug 16HP5ON-S	1
C2	93	398000K061	Plug (O-ring) 1/2", BSP	3
C2	93	-	Plug VSTI3/4EDCF	11
C2	93	-	Plug 12HP5ON-S	11
C2	93	6760412	Plug kit	18 [13(2x), 14, 15, 16, 17]
C2	93	301000K831	Seal kit	13(2x), 14, 15, 16, 17

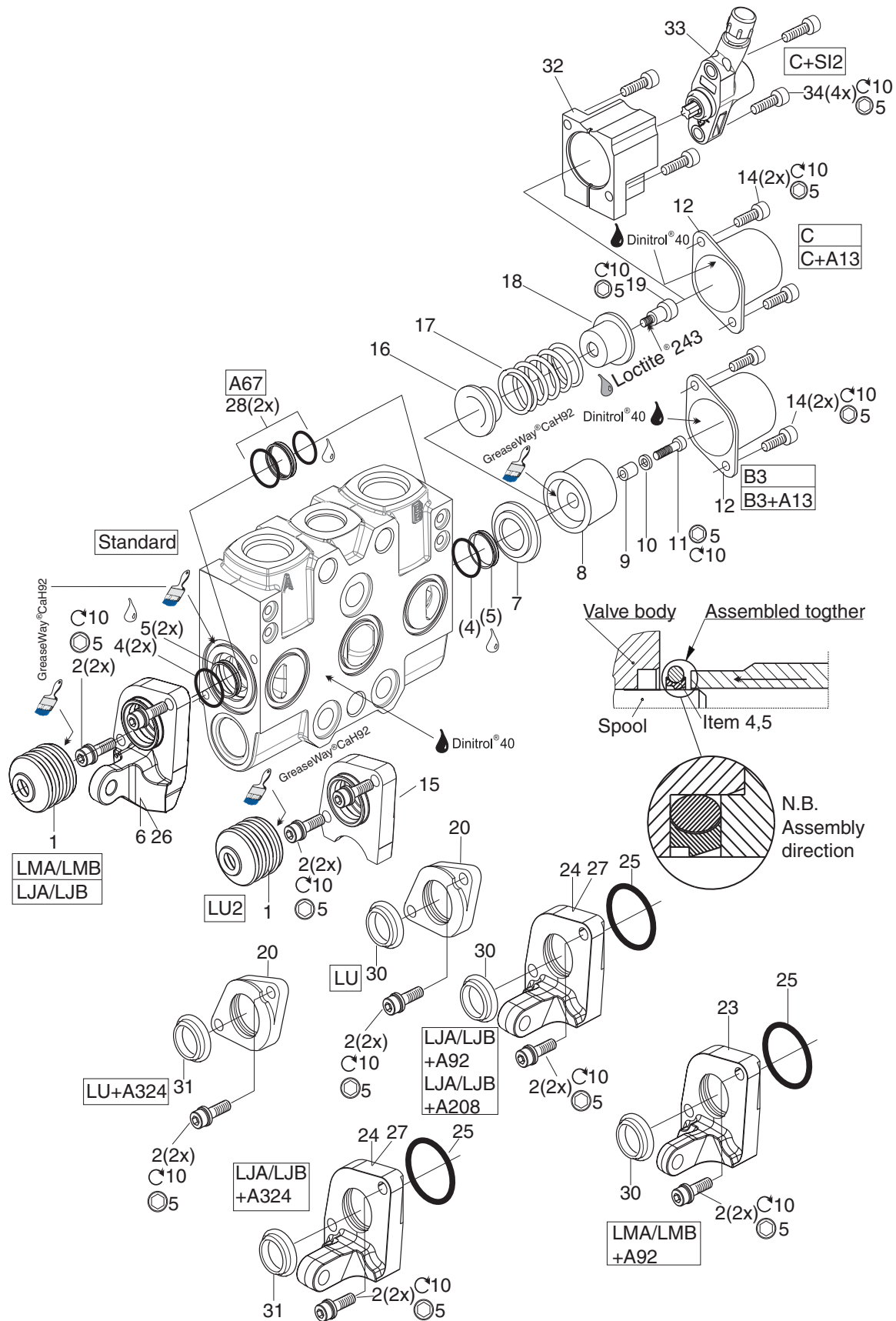
C3, C5, PS, PB, Y



a) See page 4

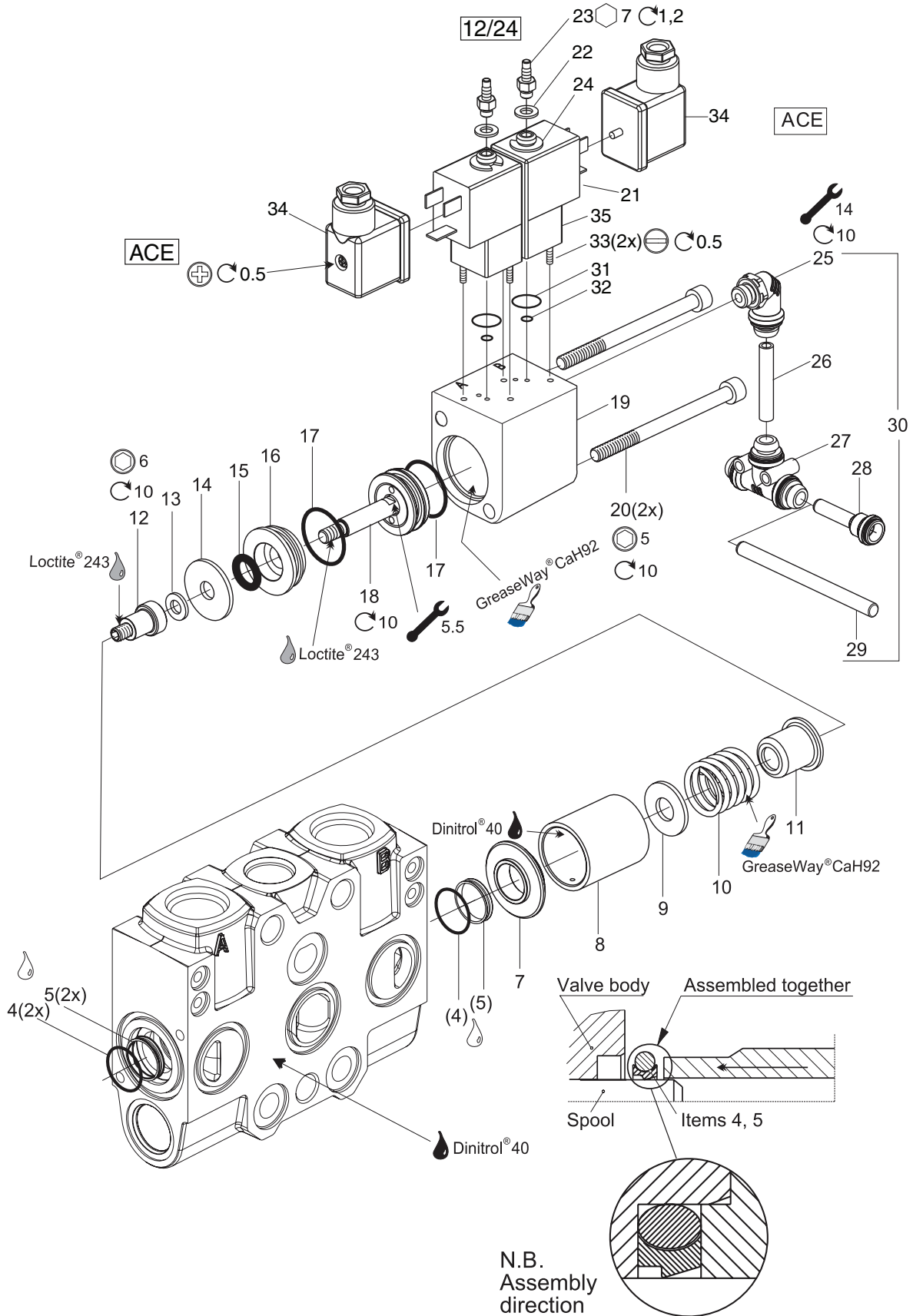
See Customer Specification				
Code	Pos	Part	Description	Remarks / Items
C3, C5	93	-	Plug VSTI1EDCF	1
C3, C5	93	-	Plug 16HP5ON-S	1
C3, C5	93	-	Plug VSTI3/4EDCF	13
C3, C5	93	-	Plug 12HP5ON-S	13
C3	93	398000K061	Plug (O-ring) 1/2", BSP	3
C3, C5	93	301000K833	Blocking plug C3, C5	8 [5(2x), 6, 7], 10
C3, C5	93	-	Plug VSTI1/4EDCF	10
C3, C5	93	301000K835	Seal kit	5(2x), 6, 7, 10
C5	93	6760413	Blocking plug, C5	22
C3	93	301000K804	Conversion kit C3	3, 8 [5(2x), 6, 7], 10, 13, 19
C5	93	301000K807	Conversion kit C5, (80 - 125) bar	8 [5(2x), 6, 7], 10, 20, 22
C5	93	301000K808	Conversion kit C5, (126 - 140) bar	8 [5(2x), 6, 7], 10, 20, 22
C5	93	301000K809	Conversion kit C5, (141 - 160) bar	8 [5(2x), 6, 7], 10, 20, 22
C5	93	301000K810	Conversion kit C5, (161 - 210) bar	8 [5(2x), 6, 7], 10, 20, 22
C5	93	301000K805	Conversion kit C5, (211 - 250) bar	8 [5(2x), 6, 7], 10, 20, 22
C5	93	301000K811	Conversion kit C5, (251 - 280) bar	8 [5(2x), 6, 7], 10, 20, 22
C5	93	301000K812	Conversion kit C5, (281 - 320) bar	8 [5(2x), 6, 7], 10, 20, 22
C5	93	301000K813	Conversion kit C5, (321 - 350) bar	8 [5(2x), 6, 7], 10, 20, 22

C, B3, SI2, LMA, LMB, LJA, LJB, LU, LU2, A13, A20, A40, A67, A92, A208, A324



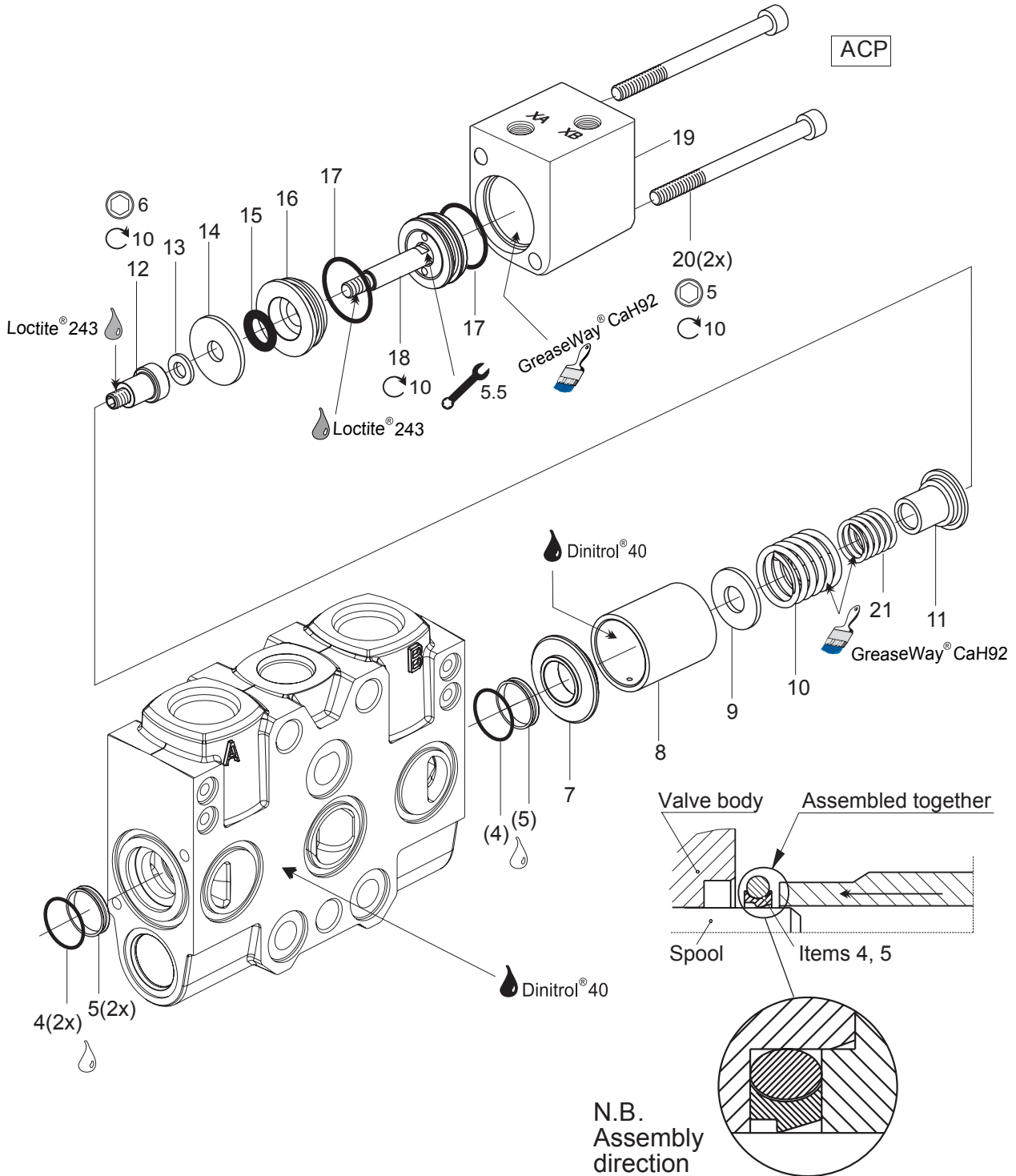
See Customer Specification				
Code	Pos	Part	Description	Remarks / Items
C, B3	50	9120099907	Cap kit, spool actuator C and B3	5 [4](2x), 7, 12, 14(2x)
C, B3 + A13	50 + 59	6760416	Cap with drainage holes, A13	12, 14(2x)
C, C + SI2	50, 50 + 52	9120039012	Spring kit, spool actuator C, C + SI2	16, 17, 18, 19
C + A20	50 + 50S	6760135	Spring kit, spool actuator C + A20	16, 17, 18, 19
C + A40	50 + 50S	6763298	Spring kit, spool actuator C + A40	16, 17, 18, 19
C + A323	50 + 50S	6763297	Spring kit, spool actuator C + A323	16, 17, 18, 19
B3	50	6763302	Detent kit, B3	8, 9, 10, 11
C, B3; A13	50; 59	6760515	Support washer kit	7(3x)
C, B3; A13	50; 59	6760543	Support washer kit	7(50x)
C + SI2	50 + 52	6763417	Position sensor SSP2 for C spool actuator	33, 34(2x)
C + SI2	50 + 52	6763322	Cap kit SSP2	5 [4], 7, 32, 34(2x)
C + SI	50 + 52	6760822	Conversion kit spool actuator C with position sensor SSP2 from P70CF gen. 2 and female angled connector Escha WAK4-2/S366	Not shown (For 4 sect. valve)
A67	59	301000K863	Spool seal kit, ET, A67 (Extra tight)	28(2x)
LMA, LMB	51	301000K836	Lever bracket LMA, LMB	2(2x), 5 [4], 6 [1]
LJA, LJB	51	301000K865	Lever bracket LJA, LJB	2(2x), 5 [4], 26 [1]
LU2	51	301000K837	Lever bracket LU2	2(2x), 5 [4], 15 [1]
LM*, LJ*, LU2	51	301000K864	Spool seal kit	1, 5 [4]
LM*, LJ*, LU2	51	398000K807	Boot kit	1(6x)
LJA, LJB + A92	51 + 59	6760219	Lever bracket LJ in Aluminium with scraper	2(2x), 5 [4], 24 [30], 25
LJA, LJB + A208	51 + 59	6760403	Lever bracket LJ in Aluminium with scraper	2(2x), 5 [4], 27 [30], 25
LJA, LJB + A324	51 + 59	6763304	Lever bracket LJ in Al with soft scraper	2(2x), 5 [4], 27 [31], 25
LMA, LMB + A92	51 + 59	6760220	Lever bracket LM in Aluminium with scraper	2(2x), 5 [4], 23 [30], 25
LU	51	9120099905	Lever bracket LU with scraper	2(2x), 5 [4], 20 [30]
LU+A324	51 + 59	6763462	Lever bracket LU with soft scraper	2(2x), 5[4], 20 [31]
LJ*, LM* + A92, A208	51 + 59	6760408	Seal kit	25(5x)
LU; LJA,LJB + A324	51 + 59	6763749	Soft scraper kit	31(20x)
LU;LJ*, LM*+A92,A208	51; 51 + 59	6760406	Scraper kit	30(100x)
LU;LJ*, LM*+A92,A208	51; 51 + 59	6763300	Scraper kit	30(20x)
LU;LJ*, LM*+A92,A208	51; 51 + 59	9120099906	Spool seal kit	5 [4](2x), 30
LU*, LJ*, LM*	51	9120099953	Spool seal kit	5 [4](2x)

ACE



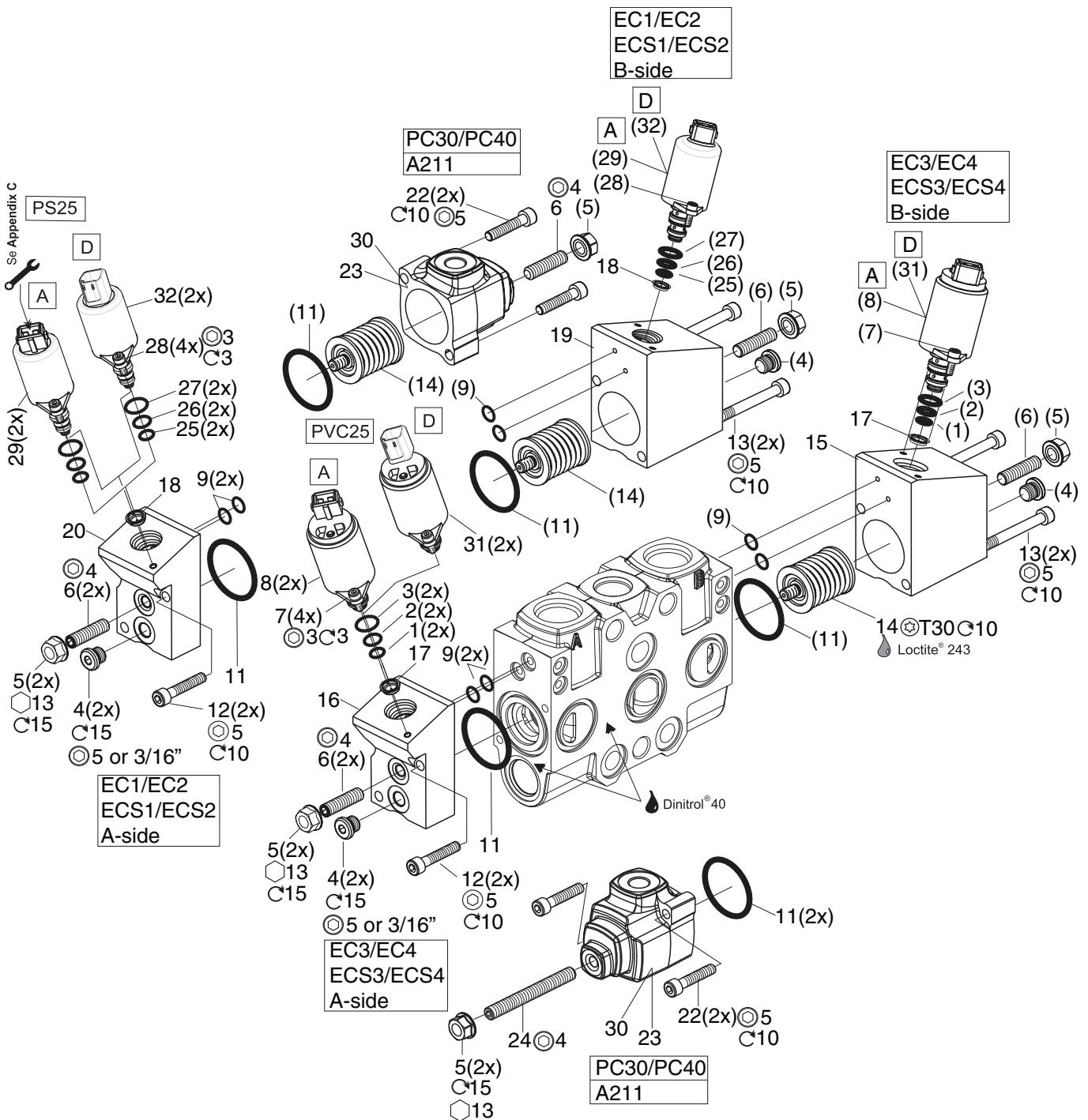
See Customer Specification				
Code	Pos	Part	Description	Remarks / Items
ACE	50	9120039065	Cylinder kit, BSP	15, 16, 17(2x), 18, 19, 20(2x)
ACE	50	9120099911	Spring kit ACE	5 [4](2x), 7, 8, 9, 10, 11, 12, 13, 14
ACE + 12	50 + 05	9123958812	Solenoid valve, 12 VDC	21,22,23,24,33(2x),34,35[31,32]
ACE + 24	50 + 05	9123958824	Solenoid valve, 24 VDC	21,22,23,24,33(2x),34,35[31,32]
ACE	50	9120099913	Spares kit for solenoid valve	22, 23, 24, 31, 32, 33(2x), 35
ACE	50	9120099912	Seal kit, ACE	5 [4](2x), 15, 17(2x)
ACE	50	-	Connector, inlet (P6F-BEAA146)	25
ACE	50	-	Tube, ø6, L=35 mm (P6T-PN06100)	26
ACE	50	-	Connector, intermediate (P6F-BTS46)	27
ACE	50	-	End plug (P6F-BVP46)	28
ACE	50	-	Tube ø6, L = 89 mm (P6T-PN06100)	29
ACE	50	6760420	Conector kit for 4 sections	30 [25(4x), 26(7x), 27(4x), 28, 29]

ACP



See Customer Specification				
Code	Pos	Part	Description	Remarks / Items
ACP + G	50 + 04	9120039063	Cylinder kit, BSP	15, 16, 17(2x), 18, 19, 20(2x)
ACP + U	50 + 04	9120039064	Cylinder kit, UNF	15, 16, 17(2x), 18, 19, 20(2x)
ACP	50	9120099914	Spring kit ACP	5 [4](2x), 7, 8, 9, 10, 11, 12, 13, 14, 21
ACP	50	9120099912	Seal kit, ACP	5 [4](2x), 15, 17(2x)

PC30, PC40, EC1, EC2, EC3, EC4, ECS1, ECS2, ECS3, ECS4, A, D, A211



PC3 is replaced by PC30 and PC4 is replaced by PC40 from jan. 2012. These options are fully replaceable.

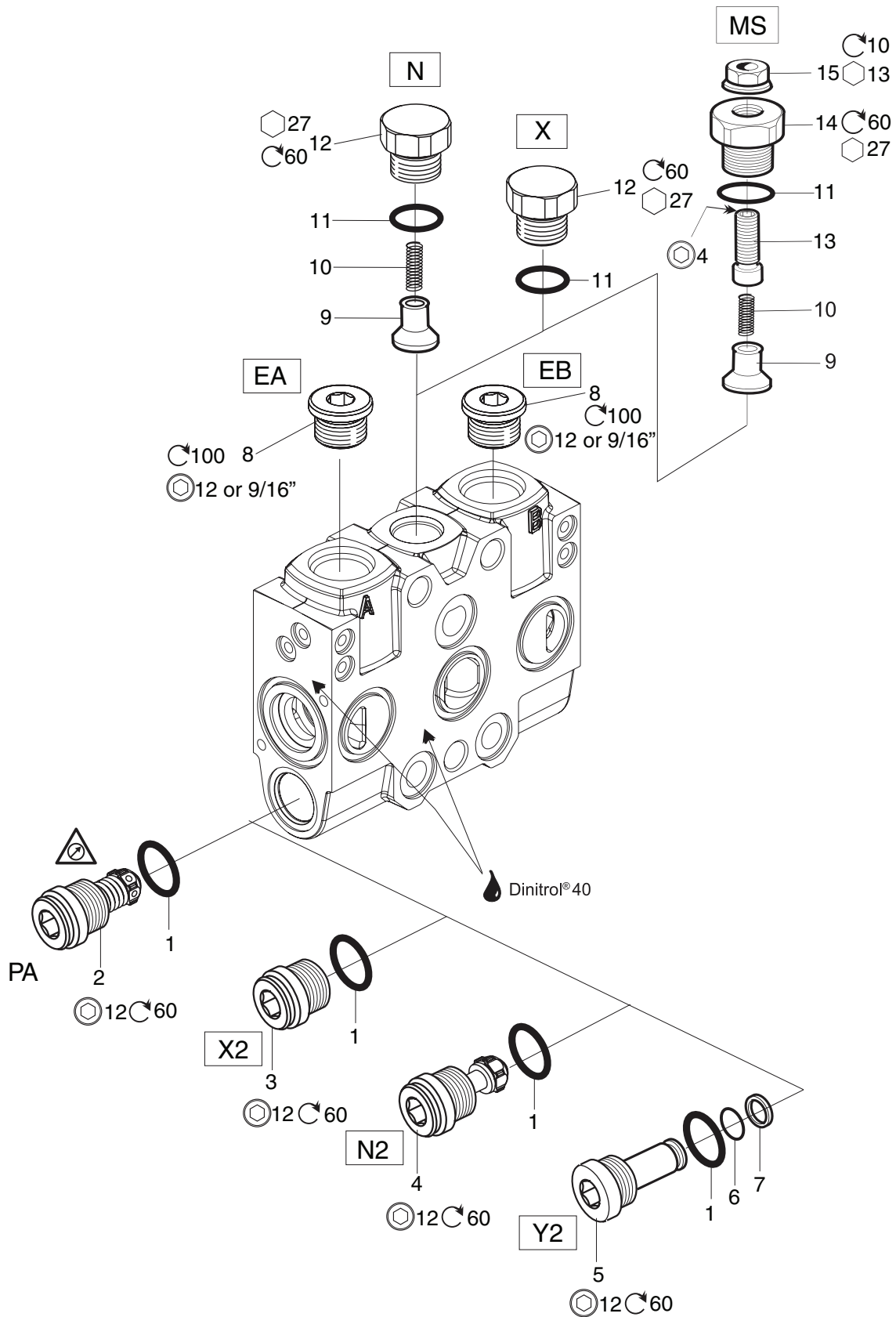
Spool Actuators

Directional Control Valves
Series F130CF/F130CP

See Customer Specification				
Code	Pos	Part	Description	Remarks / Items
PC30, PC40 + G	50 + 04	6760397	Cap kit PC30/40, A or B side, BSP	11, 22(2x), 23
PC30, PC40 + U	50 + 04	6760399	Cap kit PC30/40, A or B side, UNF	11, 22(2x), 23
PC30, PC40	50	6763308	Seal kit PC30, PC40	11 (5x)
A211 + G	59 + 04	6760398	Cap kit A211, A or B side, with spool stroke limiter, BSP	5, 6, 11, 22(2x), 24, 30
A211 + U	59 + 04	6760400	Cap kit A211, A or B side, with spool stroke limiter, UNF	5, 6, 11, 22(2x), 24, 30
A211	59	6763307	Seal kit A211	5(2x), 11(2x)
a) + G	50 + 04	6763137	Cap kit EC, A-side, BSP	9(2x), 11, 12(2x), 20 [4, 5, 6]
a) + U	50 + 04	6763138	Cap kit EC, A-side, UNF	9(2x), 11, 12(2x), 20 [4, 5, 6]
a) + G	50 + 04	6763134	Cap kit EC, B-side, BSP	9(2x), 11, 13(2x), 19 [4, 5, 6]
a) + U	50 + 04	6763135	Cap kit EC, B-side, UNF	9(2x), 11, 13(2x), 19 [4, 5, 6]
b) + G	50 + 04	6763700	Cap kit EC, A-side, BSP	9(2x), 11, 12(2x), 16 [4, 5, 6]
b) + U	50 + 04	6763698	Cap kit EC, A-side, UNF	9(2x), 11, 12(2x), 16 [4, 5, 6]
b) + G	50 + 04	6763701	Cap kit EC, B-side, BSP	9(2x), 11, 13(2x), 15 [4, 5, 6]
b) + U	50 + 04	6763699	Cap kit EC, B-side, UNF	9(2x), 11, 13(2x), 15 [4, 5, 6]
a), b) + G	50 + 04	301000K843	Seal kit EC*, BSP	4(2x), 5(2x), 9(4x), 11(2x)
a), b) + U	50 + 04	301000K822	Seal kit EC*, UNF	4(2x), 5(2x), 9(4x), 11(2x)
EC*1, EC*3, PC30	50	301000K844	Spring pack (5 - 15) bar	14
EC*2, EC*4, PC40	50	301000K845	Spring pack (7 - 25) bar	14
A340	50S	6763546	Spring pack (5 - 20) bar	14
a) + 12 + A	50 + 05+ 56	6763059	Solenoid valve, PS25, 12 VDC	28(2x), 29 [25, 26, 27]; No c , Amp. conn.
a) + 24 + A	50 + 05+ 56	6763060	Solenoid valve, PS25, 24 VDC	28(2x), 29 [25, 26, 27]; No c , Amp. conn.
a) + 12 + D	50 + 05+ 56	6763061	Solenoid valve, PS25, 12 VDC	28(2x), 32 [25, 26, 27]; No c , Deutsch c.
a) + 24 + D	50 + 05+ 56	6763062	Solenoid valve, PS25, 24 VDC	28(2x), 32 [25, 26, 27]; No c , Deutsch c.
a) + 12 + A	50 + 05+ 56	6763328	Solenoid valve, PS25MO, 12 VDC	28(2x), 29 [25, 26, 27]; With c , Amp. conn.
a) + 24 + A	50 + 05+ 56	6763327	Solenoid valve, PS25MO, 24 VDC	28(2x), 29 [25, 26, 27]; With c , Amp. conn.
a)	50	6760507	Seal kit PS25	25(5x), 26(5x), 27(5x)
O + a)	55A/B + 50	398000K604	Pilot restriction "O", Ø1.2 mm	18(5x) without damping
N + a)	55A/B + 50	398000K602	Pilot restriction "N", Ø0.9 mm	18(5x) Normal damping
H + a)	55A/B + 50	398000K601	Pilot restriction "H", Ø0.6 mm	18(5x) Hard damping
b) + 12 + A	50 + 05+ 56	393000M012	Solenoid valve, PVC25, 12 VDC	7(2x), 8 [1, 2, 3]; With c , Amp. connection
b) + 24 + A	50 + 05+ 56	393000M024	Solenoid valve, PVC25, 24 VDC	7(2x), 8 [1, 2, 3]; With c , Amp. connection
b) + 12 + D	50 + 05+ 56	393000D012	Solenoid valve, PVC25, 12 VDC	7(2x), 31 [1, 2, 3]; With c , Deutsch conn.
b) + 24 + D	50 + 05+ 56	393000D024	Solenoid valve, PVC25, 24 VDC	7(2x), 31 [1, 2, 3]; With c , Deutsch conn.
b) + 12 + A	50 + 05+ 56	393000N012	Solenoid valve, PVC25, 12 VDC	7(2x), 8 [1, 2, 3]; No c , Amp. connection
b) + 24 + A	50 + 05+ 56	393000N024	Solenoid valve, PVC25, 24 VDC	7(2x), 8 [1, 2, 3]; No c , Amp. connection
b)	50	393000K813	Seal kit PVC25	1, 2, 3
O + b)	55A/B + 50	6760086	Pilot restriction "O", Ø1.2 mm	17(5x) without damping (5 dots)
N + b)	55A/B + 50	6760083	Pilot restriction "N", Ø0.9 mm	17(5x) Normal damping (10 dots)
H + b)	55A/B + 50	6760080	Pilot restriction "H", Ø0.6 mm	17(5x) Hard damping (1 dot)
		-	Plug VST11/8EDCF	4
		-	Plug 4HP50N-S	4

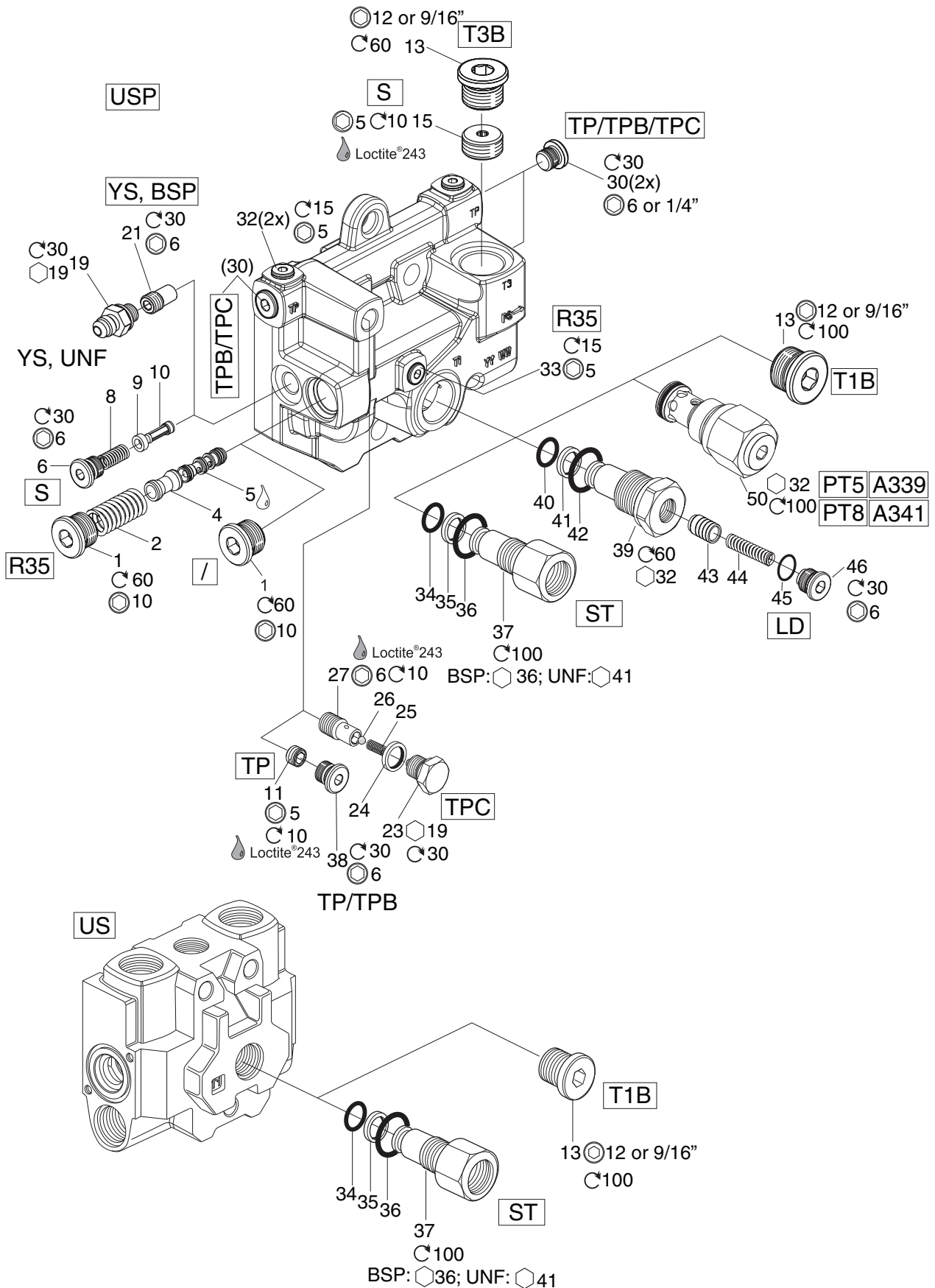
a) EC1, ECS1, EC2, ECS2 (PS25); b) EC3, ECS3, EC4, ECS4 (PVC25); c) Man. override, air bleed.

EA, EB, N, X, MS, PA, X2, N2, Y2



See Customer Specification				
Code	Pos	Part	Description	Remarks / Items
25	76AS, 76BS	9120029101	PLC082-025-20 Port relief valve	2 [1] △
32	76AS, 76BS	9120029102	PLC082-032-20 Port relief valve	2 [1] △
40	76AS, 76BS	9120029103	PLC082-040-20 Port relief valve	2 [1] △
50	76AS, 76BS	9120029104	PLC082-050-20 Port relief valve	2 [1] △
63	76AS, 76BS	9120029105	PLC082-063-20 Port relief valve	2 [1] △
80	76AS, 76BS	9120029106	PLC082-080-20 Port relief valve	2 [1] △
100	76AS, 76BS	9120029107	PLC082-100-20 Port relief valve	2 [1] △
115	76AS, 76BS	9120029126	PLC082-115-20 Port relief valve	2 [1] △
125	76AS, 76BS	9120029108	PLC082-125-20 Port relief valve	2 [1] △
140	76AS, 76BS	9120029109	PLC082-140-20 Port relief valve	2 [1] △
160	76AS, 76BS	9120029110	PLC082-160-20 Port relief valve	2 [1] △
165	76AS, 76BS	9120029147	PLC082-165-20 Port relief valve	2 [1] △
175	76AS, 76BS	9120029111	PLC082-175-20 Port relief valve	2 [1] △
190	76AS, 76BS	9120029112	PLC082-190-20 Port relief valve	2 [1] △
210	76AS, 76BS	9120029113	PLC082-210-20 Port relief valve	2 [1] △
215	76AS, 76BS	9120029127	PLC082-215-20 Port relief valve	2 [1] △
220	76AS, 76BS	9120029130	PLC082-220-20 Port relief valve	2 [1] △
225	76AS, 76BS	9120029125	PLC082-225-20 Port relief valve	2 [1] △
230	76AS, 76BS	9120029114	PLC082-230-20 Port relief valve	2 [1] △
240	76AS, 76BS	9120029148	PLC082-240-20 Port relief valve	2 [1] △
250	76AS, 76BS	9120029115	PLC082-250-20 Port relief valve	2 [1] △
265	76AS, 76BS	9120029123	PLC082-265-20 Port relief valve	2 [1] △
270	76AS, 76BS	9120029124	PLC082-270-20 Port relief valve	2 [1] △
280	76AS, 76BS	9120029116	PLC082-280-20 Port relief valve	2 [1] △
290	76AS, 76BS	9120029149	PLC082-290-20 Port relief valve	2 [1] △
300	76AS, 76BS	9120029117	PLC082-300-20 Port relief valve	2 [1] △ (Sections: only in nodular iron)
330	76AS, 76BS	9120029118	PLC082-330-20 Port relief valve	2 [1] △ (Sections: only in nodular iron)
350	76AS, 76BS	9120029119	PLC082-350-20 Port relief valve	2 [1] △ (Sections: only in nodular iron)
380	76AS, 76BS	9120029120	PLC082-380-20 Port relief valve	2 [1] △ (Sections: only in nodular iron)
400	76AS, 76BS	9120029121	PLC082-400-20 Port relief valve	2 [1] △ (Sections: only in nodular iron)
420	76AS, 76BS	9120029122	PLC082-420-20 Port relief valve	2 [1] △ (Sections: only in nodular iron)
X2	76A, 76B	9120099682	Plug X2 (Port relief cavity plugged)	3 [1]
N2	76A, 76B	9120099686	Check valve in port relief cavity, N2	4 [1]
PA, X2, N2	76A, 76B	6760193	Seal kit PA, X2, N2	1(5x)
Y2	76A, 76B	9121580389	Plug in port relief cavity, Y2	5 [1, 6, 7]
Y2	76A, 76B	9120099826	Seal kit Y2	1, 6, 7
N	66	9120099611	Load holding check valve, N	12 [9, 10, 11]
N	66	6760961	Spring kit load holding check valve	10, 11
X	66	9120099930	Cavity plugged, X	11, 12
MS	66	9120099657	Supply check valve, adjustable, MS	14 [9, 10, 11, 13, 15]
PA;N,X,MS	76; 66	301000K861	Seal kit PA, N, X, MS	1, 11
EA,EB + G	60 + 04	-	Plug VSTI3/4EDCF	8
EA,EB + U	60 + 04	-	Plug 12HP5ON-S	8

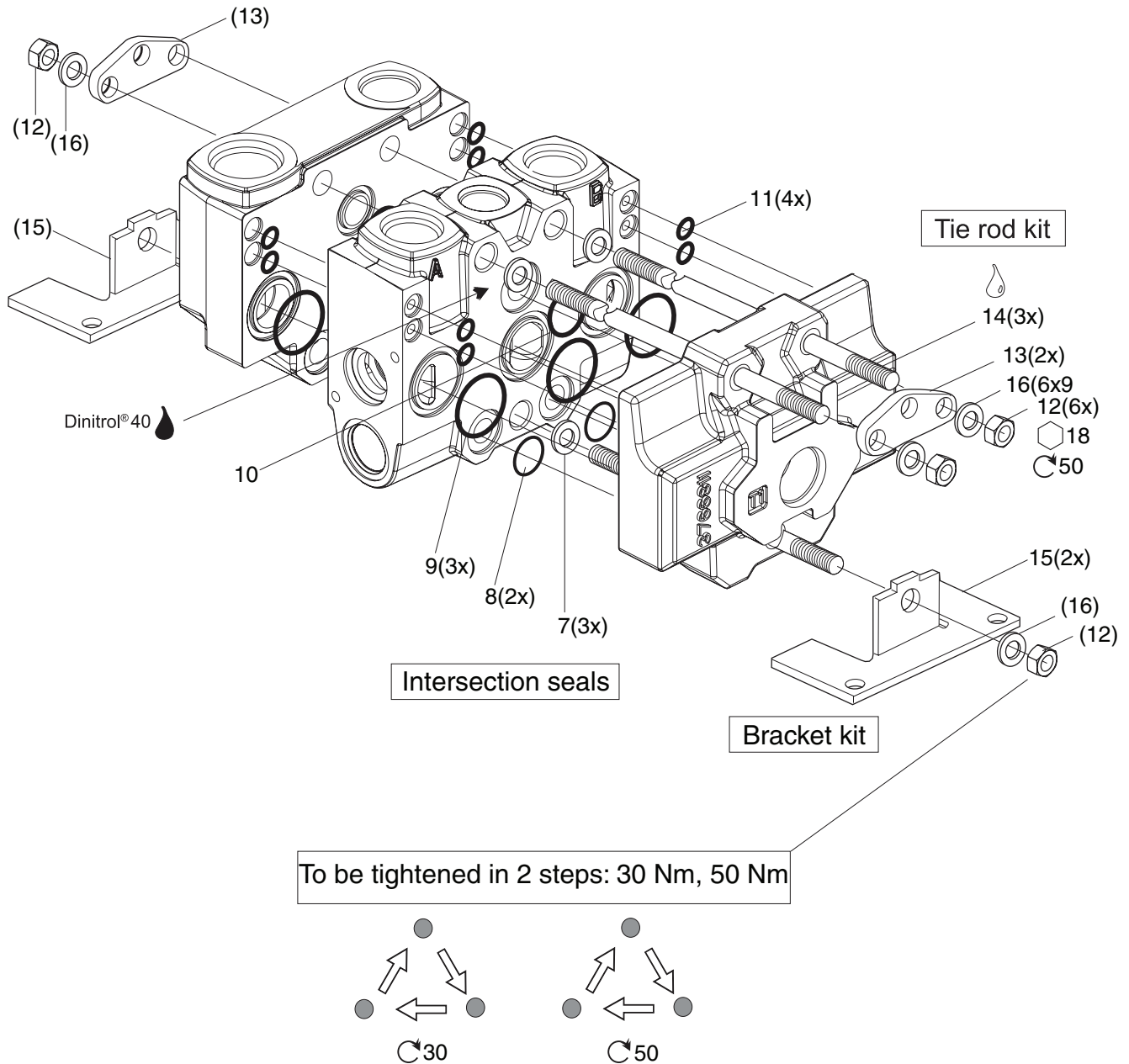
USP, US, R35, S, ST, YS, T3B, T1B, TP, TPB, TB, TPC, PT, LD







Outlet Options**Directional Control Valves
Series F130CF/F130CP**

See Customer Specification				
Code	Pos	Part	Description	Remarks / Items
R35	37	301000K853	Pilot pressure reducer, 35 bar	1, 2, 4, 5, 33
R35, /	37	398000K061	Plug (O-ring) 1/2", BSP	1
S	39	398000K054	Strainer in pilot circuit	6, 8, 9, 10
YS + G	39 + 04	393000K075	Connection for external strainer, BSP	21
YS + U	39 + 04	393000K076	Connection UNF	19, 21
YS + U	39 + 04	-	Nipple 6F4OMXS	19
T3B + G	34 + 04	-	Plug VST13/4EDCF	13
T3B + U	34 + 04	-	Plug 12HP5ON-S	13
S	36	301000K855	Plug G1/2", series connection	15 (BSP - threaded, used on all)
ST + G	33 + 04	9121580343	Series connection adaptor, BSP	37 [34, 35, 36]
ST + U	33 + 04	6763067	Series connection adaptor, UNF	37 [34, 35, 36]
ST + G	33 + 04	9120099806	Seal kit ST, BSP	34, 35, 36
ST + U	33 + 04	9120099805	Seal kit ST, UNF	34, 35, 36
TP	40	6763014	Connection for separate pilot tank	11, 38
T1B + G	33 + 04	-	Plug VST13/4EDCF	13
T1B + U	33 + 04	-	Plug 12 HP5ON-S	13
TPC	40	301000K857	TP connection plugged, BSP	23 [24], 25, 26, 27 (TPB, with built-in check valve)
PT5 + G	33 + 04	6763525	PT5, Counter pressure valve, BSP	50
PT5 + U	33 + 04	6763526	PT5, Counter pressure valve, UNF	50
PT8 + G	33 + 04	6763527	PT8, Counter pressure valve, BSP	50
PT8 + U	33 + 04	6763528	PT8, Counter pressure valve, UNF	50
A339 + G	33 + 04	6763529	PT16, Counter pressure valve, BSP	50
A339 + U	33 + 04	6763530	PT16, Counter pressure valve, UNF	50
A341 + G	33 + 04	6763531	PT20, Counter pressure valve, BSP	50
A341 + U	33 + 04	6763532	PT20, Counter pressure valve, UNF	50
TP, TPB, TPC; R35	40; 37	-	Plug VST11/8EDCF	32 and 33
S; TP, TPB, TPC+G	39; 40 + 04	-	Plug VST11/4EDCF	6, 30 and 38
TP, TPB, TPC + U	40 + 04	-	Plug 6HP5ON-S	30
LD + G	33 + 04	6760648	Adaptor LD, cpl, BSP	39 [40, 41, 42, 43, 44, 45, 46]
LD + U	33 + 04	6760646	Adaptor LD, cpl, UNF	39 [40, 41, 42, 43, 44, 45, 46]
LD + G, U	33 + 04	6763202	Seal kit, LD	40, 41, 42, 45

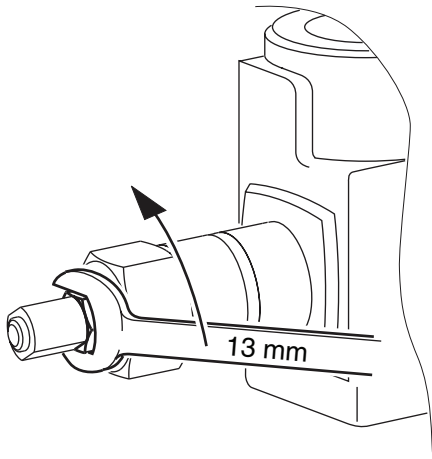
Tie rods, Bracket, Intersection seals



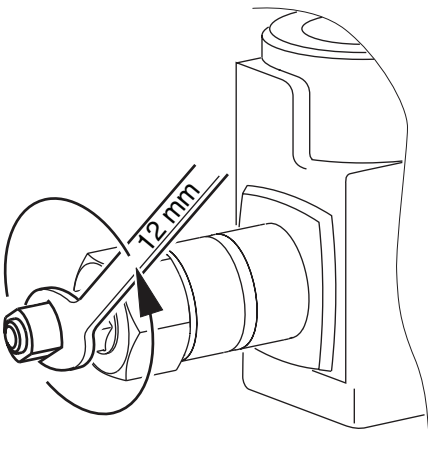
See Customer Specification				
Code	Pos	Part	Description	Remarks / Items
Brackets		301000K866	Bracket kit	12(6x), 13(2x), 15(2x), 16(6x)
Tie rods		9120199921	Tie rod kit, valve 1 spool section, 160 mm	14(3x), 12(6x), 16(6x)
Tie rods		9120199922	Tie rod kit, valve 2 spool sections, 213 mm	14(3x), 12(6x), 16(6x)
Tie rods		9120199923	Tie rod kit, valve 3 spool sections, 256 mm	14(3x), 12(6x), 16(6x)
Tie rods		9120199924	Tie rod kit, valve 4 spool sections, 309 mm	14(3x), 12(6x), 16(6x)
Tie rods		9120199925	Tie rod kit, valve 5 spool sections, 352 mm	14(3x), 12(6x), 16(6x)
Tie rods		9120199926	Tie rod kit, valve 6 spool sections, 405 mm	14(3x), 12(6x), 16(6x)
Tie rods		9120199927	Tie rod kit, valve 7 spool sections, 448 mm	14(3x), 12(6x), 16(6x)
Tie rods		9120092347	Tie rod kit, valve 8 spool sections, 501 mm	14(3x), 12(6x), 16(6x)
Tie rods		6760532	Tie rod kit, valve 9 spool sections, 544 mm	14(3x), 12(6x), 16(6x)
Tie rods		6760533	Tie rod kit, valve 10 spool sections, 597 mm	14(3x), 12(6x), 16(6x)
Tie rods		9120199931	Tie rod kit, valve 11 spool sections, 640 mm	14(3x), 12(6x), 16(6x)
Tie rods		9120199932	Tie rod kit, valve 12 spool sections, 688 mm	14(3x), 12(6x), 16(6x)
Standard		301000K851	Intersection seals NBR (Nitrile)	7(3x), 8(2x), 9(3x), 10, 11(4x)
A30	08E	301000K850	Intersection seals FPM (Viton®)	7(3x), 8(2x), 9(3x), 10, 11(4x)

Symbol	Description
	<p>For optimum function, the radial clearance between spool and spool bore must be correct. Spools are therefore colour-coded to identify sizes. We recommend that the whole valve/section is changed if the spool has to be replaced (valve housings cannot be purchased as spares, so if a new one is required a new valve or complete section should be ordered). If the spool has to be changed, it is extremely important that the new spool is the right size.</p> <p>If the spool is too large, it will not work properly even if it appears to function perfectly on assembly, and if the spool is too small, function will also be adversely affected. Spools that are classified by size are marked in the list with  .</p> <p>The colour-marking of the spool may disappear after a time, so, unless otherwise stated, the housing is marked with a letter to indicate the respective colour as follows: B for Blue, G for Green, R for Red.</p>
	<p>Changing the settings, replacing the preset pressure relief valve or breaking the seal must only be done in accordance with the manufacturer's instructions. Other settings may seriously damage the machine and other assets, and may cause personal injury. Note that a value contained in the customer specification manual does not apply if the manufacturer changed the settings at installation. Always contact the manufacturer's service organisation before servicing items marked with  .</p>

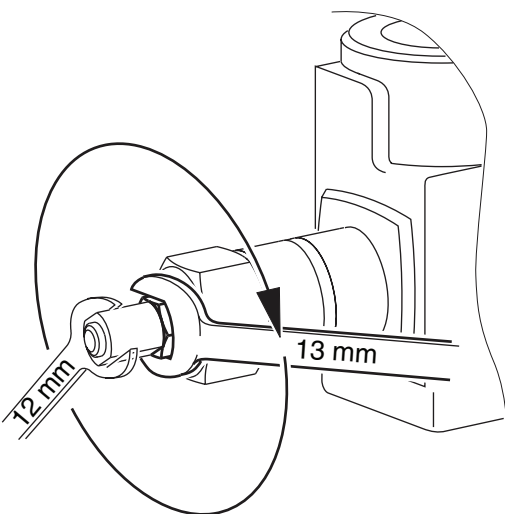
PLD130 is delivered set to the max of its face value (e.g. Required pressure for a PLD130-161-210 can only be adjusted to a value <210).
Adjusting to the required level should be done as shown in below instructions.



1. Loosen the lock nut one rev.
Counter-clockwise

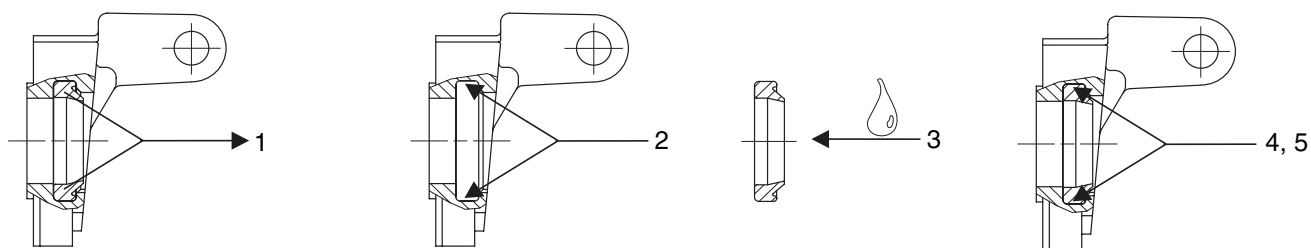


2. Set required pressure value by
turning the adjusting screw.



3. Hold adjusting screw and fasten lock
nut clockwise. Tightening torque 10 Nm.

Removal and mounting of scraper ring



1. Remove carefully the old scraper ring (not spring loaded) to avoid damaging of the lever bracket. Use as tool a screwdriver, a nippers or a small hook.

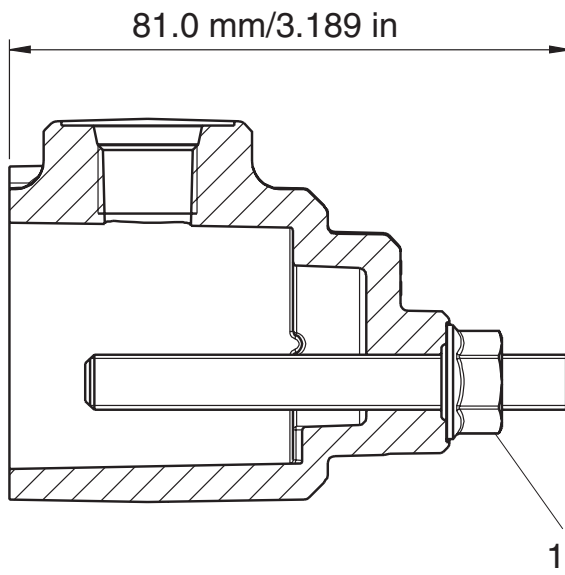
2. Clear scraper ring groove and make sure there are no color or paint flakes remaining in the track.

3 The scraper ring with associated surfaces in the lever bracket must be oiled.

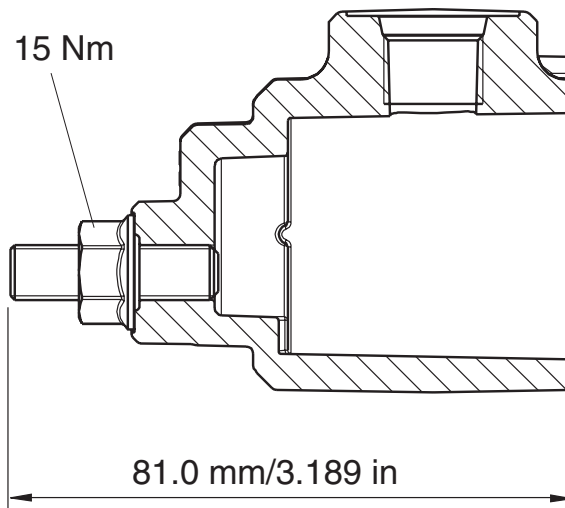
4. Push the new scraper ring in the lever brackets track.

**Cap kits 6760398 (BSP) and 6760400 (UNF)
can be installed on both A and B side of valve**

**Measure shown below is valid if NO stroke
limit is required**



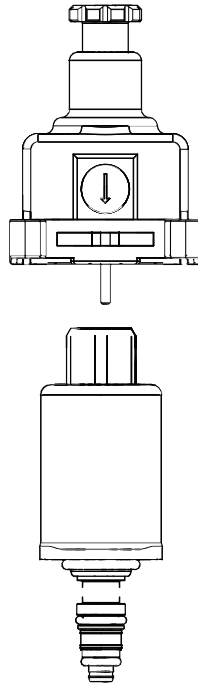
Cap used on the
A (spool end) side
of valve.



Cap used on the
B (spring pack) side
of valve.

Manual override may not be used without knowledge of functionality.

CAUTION: *No proportional function*



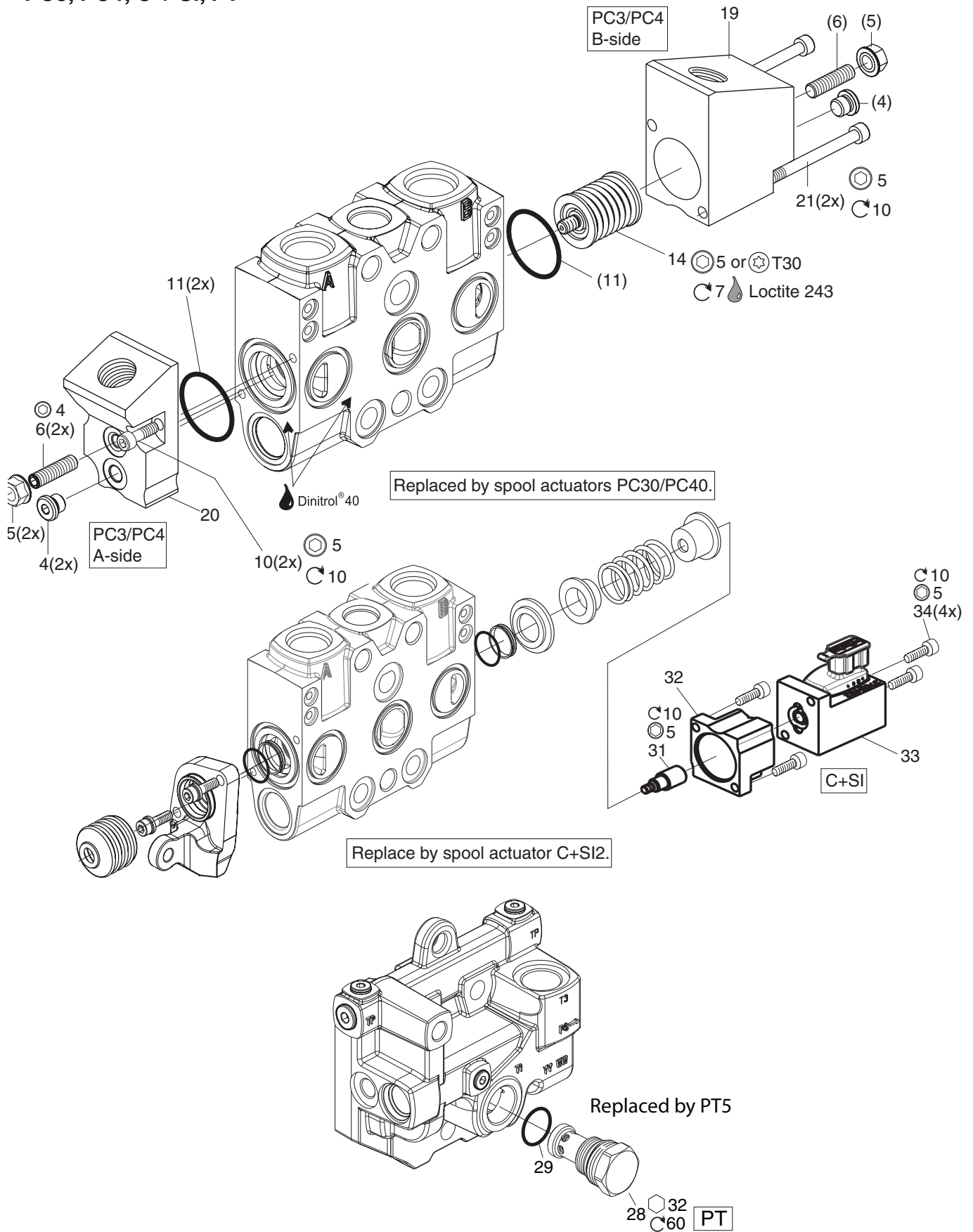
1. A special tool must be used to engage the manual override function of the solenoid! Use of other tools to attempt to engage or disengage the manual override may not work or may not work when intended.
2. When using the manual override function, the solenoid has only on-off functionality and doesn't operate proportionally as usual. This means, for example, that the solenoid may operate much faster than usual and the unexpected speed could cause crushing or other injuries.
3. When using the manual override be certain that all operations of the application, regardless of speed, will not endanger persons or property nearby.
4. As always, consult the operations manual for all specifications and functions of the valve. If there are questions contact MCDE.

The PS25MO is equipped with a manual override pin in the connector. To actuate the PS25MO a specific tool is needed since the tolerances of the pin is so small that it can be damaged or the pin sticks in actuated position.

Please notify that it's for fault searching only and shall be used as rarely as possible with common sense in mind. If manual override is used humans can be exposed for very dangerous situations. Please read the legal limits before using the manual override.

Part number for override tool: 6763001.

PC3, PC4; C + SI, PT



Parker Worldwide

Europe, Middle East, Africa

AE – United Arab Emirates, Dubai
Tel: +971 4 8127100
parker.me@parker.com

AT – Austria, Wiener Neustadt
Tel: +43 (0)2622 23501-0
parker.austria@parker.com

AT – Eastern Europe, Wiener Neustadt
Tel: +43 (0)2622 23501 900
parker.easteurope@parker.com

AZ – Azerbaijan, Baku
Tel: +994 50 22 33 458
parker.azerbaijan@parker.com

BE/LU – Belgium, Nivelles
Tel: +32 (0)67 280 900
parker.belgium@parker.com

BG – Bulgaria, Sofia
Tel: +359 2 980 1344
parker.bulgaria@parker.com

BY – Belarus, Minsk
Tel: +48 (0)22 573 24 00
parker.poland@parker.com

CH – Switzerland, Etoy
Tel: +41 (0)21 821 87 00
parker.switzerland@parker.com

CZ – Czech Republic, Klecany
Tel: +420 284 083 111
parker.czechrepublic@parker.com

DE – Germany, Kaarst
Tel: +49 (0)2131 4016 0
parker.germany@parker.com

DK – Denmark, Ballerup
Tel: +45 43 56 04 00
parker.denmark@parker.com

ES – Spain, Madrid
Tel: +34 902 330 001
parker.spain@parker.com

FI – Finland, Vantaa
Tel: +358 (0)20 753 2500
parker.finland@parker.com

FR – France, Contamine s/Arve
Tel: +33 (0)4 50 25 80 25
parker.france@parker.com

GR – Greece, Athens
Tel: +30 210 933 6450
parker.greece@parker.com

HU – Hungary, Budaoers
Tel: +36 23 885 470
parker.hungary@parker.com

IE – Ireland, Dublin
Tel: +353 (0)1 466 6370
parker.ireland@parker.com

IT – Italy, Corsico (MI)
Tel: +39 02 45 19 21
parker.italy@parker.com

KZ – Kazakhstan, Almaty
Tel: +7 7273 561 000
parker.easteurope@parker.com

NL – The Netherlands, Oldenzaal
Tel: +31 (0)541 585 000
parker.nl@parker.com

NO – Norway, Asker
Tel: +47 66 75 34 00
parker.norway@parker.com

PL – Poland, Warsaw
Tel: +48 (0)22 573 24 00
parker.poland@parker.com

PT – Portugal, Leca da Palmeira
Tel: +351 22 999 7360
parker.portugal@parker.com

RO – Romania, Bucharest
Tel: +40 21 252 1382
parker.romania@parker.com

RU – Russia, Moscow
Tel: +7 495 645-2156
parker.russia@parker.com

SE – Sweden, Spånga
Tel: +46 (0)8 59 79 50 00
parker.sweden@parker.com

SK – Slovakia, Banská Bystrica
Tel: +421 484 162 252
parker.slovakia@parker.com

SL – Slovenia, Novo Mesto
Tel: +386 7 337 6650
parker.slovenia@parker.com

TR – Turkey, Istanbul
Tel: +90 216 4997081
parker.turkey@parker.com

UA – Ukraine, Kiev
Tel: +48 (0)22 573 24 00
parker.poland@parker.com

UK – United Kingdom, Warwick
Tel: +44 (0)1926 317 878
parker.uk@parker.com

ZA – South Africa, Kempton Park
Tel: +27 (0)11 961 0700
parker.southafrica@parker.com

North America

CA – Canada, Milton, Ontario
Tel: +1 905 693 3000

US – USA, Cleveland (industrial)
Tel: +1 216 896 3000

US – USA, Elk Grove Village (mobile)
Tel: +1 847 258 6200

Asia Pacific

AU – Australia, Castle Hill
Tel: +61 (0)2-9634 7777

CN – China, Shanghai
Tel: +86 21 2899 5000

HK – Hong Kong
Tel: +852 2428 8008

ID – Indonesia, Tangerang
Tel: +62 21 7588 1906

IN – India, Mumbai
Tel: +91 22 6513 7081-85

JP – Japan, Fujisawa
Tel: +81 (0)4 6635 3050

KR – South Korea, Seoul
Tel: +82 2 559 0400

MY – Malaysia, Shah Alam
Tel: +60 3 7849 0800

NZ – New Zealand, Mt Wellington
Tel: +64 9 574 1744

SG – Singapore
Tel: +65 6887 6300

TH – Thailand, Bangkok
Tel: +662 186 7000

TW – Taiwan, New Taipei City
Tel: +886 2 2298 8987

VN – Vietnam, Ho Chi Minh City
Tel: +84 8 3999 1600

South America

AR – Argentina, Buenos Aires
Tel: +54 3327 44 4129

BR – Brazil, Cachoeirinha RS
Tel: +55 51 3470 9144

CL – Chile, Santiago
Tel: +56 2 623 1216

MX – Mexico, Toluca
Tel: +52 72 2275 4200

© 2015 Parker Hannifin Corporation. All rights reserved.



EMEA Product Information Centre

Free phone: 00 800 27 27 5374

(from AT, BE, CH, CZ, DE, DK, EE, ES, FI, FR, IE, IL, IS, IT, LU, MT, NL, NO, PL, PT, RU, SE, SK, UK, ZA)

US Product Information Centre

Toll-free number: 1-800-27 27 537

www.parker.com

Your local authorized Parker distributor