



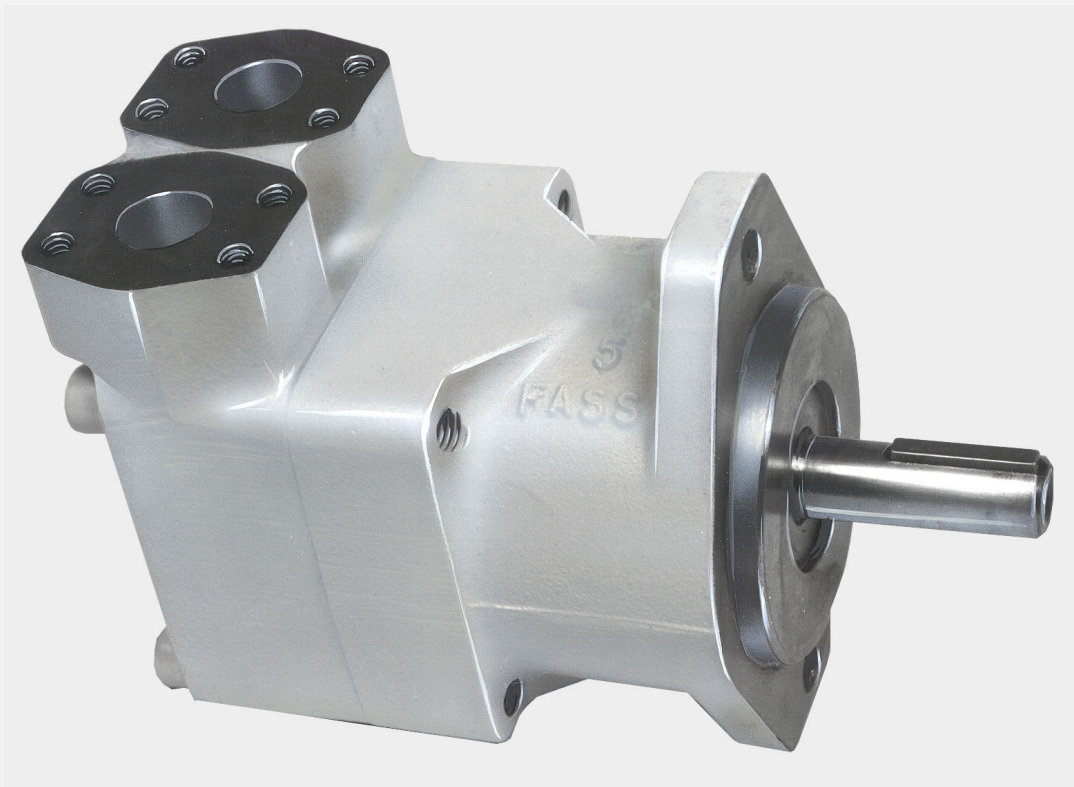
# Vane motors Service information

vane-type motor / Flügelzellen Motor

moteur à palettes / motore a palette

motore de paletas

## M4C - M4SC - M4C1 - M4SC1



Publ. S2 - ML1501 - D

12 / 2003 / FB

Replace : S2 - ML1501 - C

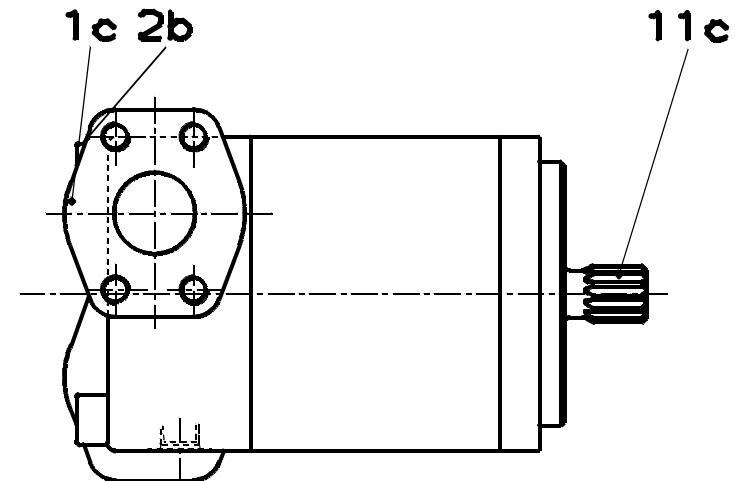
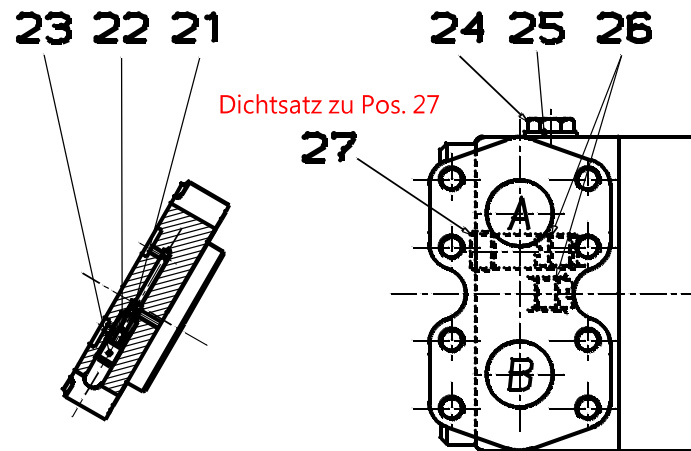
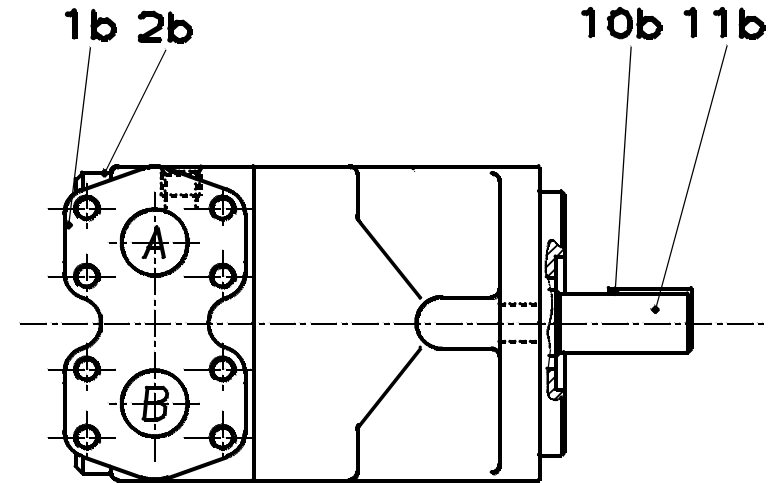
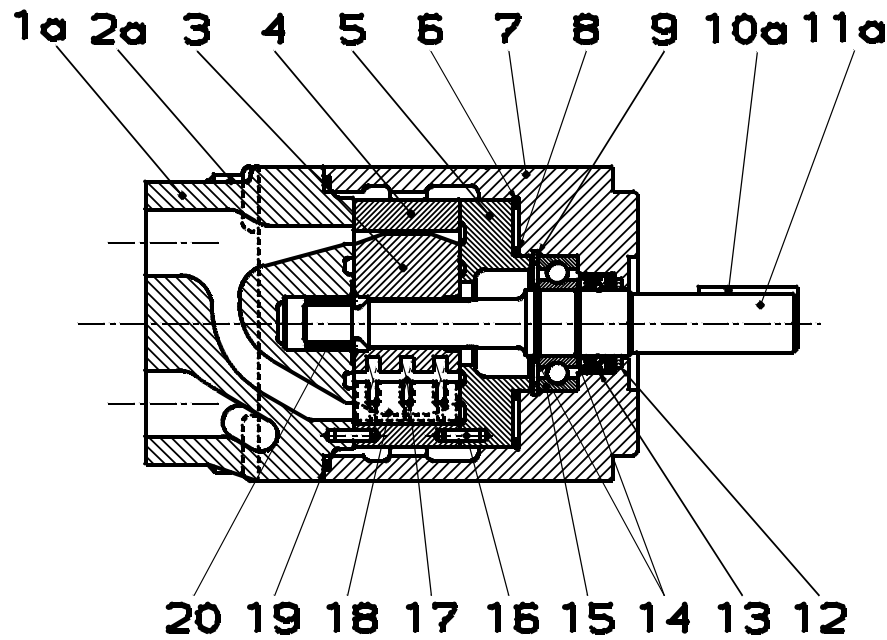
L25 - 21501 - 4

**DENISON** | **Hydraulics**

Recommended repair kits and assy's are bold printed  
 Empfohlene Austausch - Baugruppen sind fett gedruckt  
 Les pochettes de rechange recommandées sont imprimées en caractères gras  
 I kit di ricambio consigliati sono indicati in grassetto  
 Los juegos de reparacion recomendados y los conjuntos, estan en negrita

	Item - Pos. - Ref. - Pos.		
	2a	2b	23
Mounting torque			
Anziehdrehmoment	102 Nm	110 Nm	11,5 to 12,6 Nm
Couple de serrage	75 ft.lbs	81 ft.lbs	8,5 to 9,3 ft.lbs
Coppia di serraggio			
Par de apriete			

**M4C - M4C1**  
**M4SC - M4SC1**



Item Pos. Ref. Pos. Pos.	Description Descrizione	Benennung Descripcion	Description		Part N° Teil Nr. Code N° Cod. N° Referencia M4C - M4C1	Part N° Teil Nr. Code N° Cod. N° Referencia M4SC - M4SC1	Qty Stück Qte Q.tà Cant.
27	Plug (M4C1 - M4SC1) Tappo (M4C1 - M4SC1)	Stopfen (M4C1 - M4SC1) Tapon (M4C1 - M4SC1)	Bouchon (M4C1 - M4SC1)	L...P U...X	431.90600	431.90600	1
	<b>REPAIR KIT KIT DI RICAMBIO</b>	<b>AUSTAUSCH-BAUGRUPPEN CONJUNTO REPARACION</b>	<b>POCHETTES RECHANGES</b>				
A	Kit 024 Cartuccia 024	Pumpeneinsatz 024 Juego 024	Cartouche 024		S14.45081	S14.45082	1
A	Kit 027 Cartuccia 027	Pumpeneinsatz 027 Juego 027	Cartouche 027		S24.64040	S24.63668	1
A	Kit 031 Cartucia 031	Pumpeneinsatz 031 Juego 031	Cartouche 031		S14.27027	S14.27031	1
A	Kit 043 Cartuccia 043	Pumpeneinsatz 043 Juego 043	Cartouche 043		S14.27028	S14.27032	1
A	Kit 055 Cartuccia 055	Pumpeneinsatz 055 Juego 055	Cartouche 055		S14.27029	S14.27033	1
A	Kit 067 Cartuccia 067	Pumpeneinsatz 067 Juego 067	Cartouche 067		S14.27030	S14.27034	1
A	Kit 075 Cartuccia 075	Pumpeneinsatz 075 Juego 075	Cartouche 075		S14.41505	S24.10890	1
B	Shaft and bearing ass'y (code 1) Ins. albero (codice 1)	Baugruppe (Welle u. Lager) (Typ 1) Conjunto eje (codigo 1)	Arbre à clavette et roulement ass. (code 1)		S14.27026	S14.27026	1
C	Shaft and bearing ass'y (code 2) Ins. albero (codice 2)	Baugruppe (Welle u. Lager) (Typ 2) Conjunto eje (codigo 2)	Arbre à clavette et roulement ass. (code 2)		S14.41575	S14.41575	1
D	Shaft and bearing ass'y (code 3) Ins. albero (codice 3)	Baugruppe (Welle u. Lager) (Typ 3) Conjunto eje (codigo 3)	Arbre à cannelures et roulement ass. (code 3)		S14.44482	S14.44482	1
E	Seal kit (S1) (M4C - M4C1) Serie guarnizioni (S1) (M4C - M4C1)	Dichtringsatz (S1) (M4C - M4C1) Juego de juntas (S1) (M4C - M4C1)	Pochette de joints (S1) (M4C - M4C1)		S14.29879		1
	Seal kit (S5) (M4SC - M4SC1) Serie guarnizioni (S5) (M4SC - M4SC1)	Dichtringsatz (S5) (M4SC - M4SC1) Juego de juntas (S5) (M4SC - M4SC1)	Pochette de joints (S5) (M4SC - M4SC1)			S14.29879.5	1
F	Port plate-pressure ass'y Ins. piatto distributore anter.	Steuerplatte Conjunto plato dist.	Plaque pression ass.		S14.29880	S14.29880	1
	End cap ass'y rear ported Ins. coperchio bocche posteriori	Gehäuse baugruppe axiale Anschlüsse Conjunto bocas en tapa trasera	Chapeau arrière ass. orifices arrières				
G	4-bolts UNC (SAE drain) (M4C - M4SC) UNC 4 fori (drenaggio SAE) (M4C - M4SC)	UNC Flansch (SAE Leckölanschluß) (M4C - M4SC) UNC 4 agujeros (drenaje SAE) (M4C - M4SC)	4 trous UNC (drain SAE) (M4C - M4SC)		S14.27035	S14.27035	1
H	SAE thd. port (SAE drain) (M4C - M4SC) Filettature SAE (drenaggio SAE) (M4C - M4SC)	SAE Gewinde (SAE Leckölanschluß) (M4C - M4SC) Rosca SAE (drenaje SAE) (M4C - M4SC)	Orifice taraudé SAE (drain SAE) (M4C - M4SC)		S14.27036	S14.27036	1
J	4-bolts UNC (BSPP drain) (M4C - M4SC) UNC 4 fori (drenaggio BSP) (M4C - M4SC)	UNC Flansch (R Leckölanschluß) (M4C - M4SC) UNC 4 agujeros (drenaje BSP) (M4C - M4SC)	4 trous UNC (drain BSPP) (M4C - M4SC)		S14.83314	S14.83314	1
K	4-bolts Metric (BSPP drain) (M4C - M4SC) Metrica 4 fori (drenaggio BSP) (M4C - M4SC)	Metrisch Flansch (R Leckölanschluß) (M4C - M4SC) Metrico 4 agujeros (drenaje BSP) (M4C - M4SC)	4 trous métriques (drain BSPP) (M4C - M4SC)		S14.97209	S14.97209	1
L	4-bolts UNC (SAE drain) (M4C1 - M4SC1) UNC 4 fori (drenaggio SAE) (M4C1 - M4SC1)	UNC Flansch (SAE Leckölanschluß) (M4C1 - M4SC1) UNC 4 agujeros (drenaje SAE) (M4C1 - M4SC1)	4 trous UNC (drain SAE) (M4C1 - M4SC1)		S14.27037	S14.27037	1
M	SAE thd. port (SAE drain) (M4C1 - M4SC1) Filettature SAE (drenaggio SAE) (M4C1 - M4SC1)	SAE Gewinde (SAE Leckölanschluß) (M4C1 - M4SC1) Rosca SAE (drenaje SAE) (M4C1 - M4SC1)	Orifice taraudé SAE (drain SAE) (M4C1 - M4SC1)		S14.27038	S14.27038	1