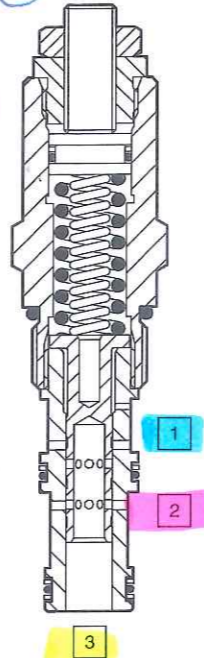


UP TO **40 L/MIN** **10 USGPM** **C3A025**
 AND **100 BAR** **1450 PSI** **C3B025**

PRESSURE REGULATING VALVE
 DIRECT ACTING, SPOOL TYPE
 WITH RELIEVING FEATURE

770523010-1304

- Full 350 bar 5000 psi pressure rating, maximum pressure setting up to 100 bar 1450 psi.
- Low pressure rise/flow characteristic.
- Spool valve for good stability.
- Partial reverse flow capability.
- Two pressure ranges available for accurate pressure control.
- Hardened working parts for maximum wear resistance and greater durability.
- External parts zinc plated.
- Adjustable and tamperproof versions available.
- Line bodies available in aluminium (anodised) or steel (zinc plated).



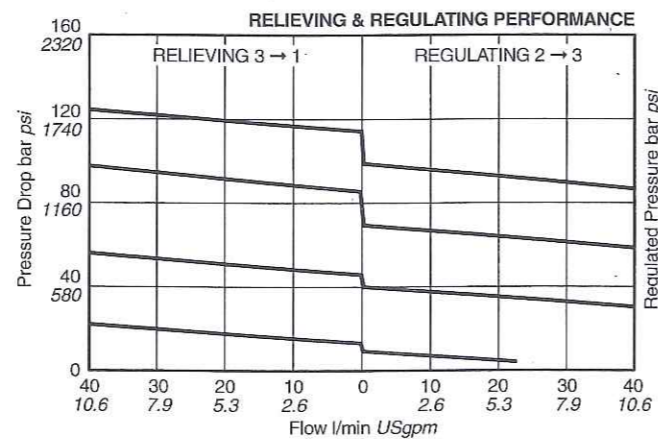
SPECIFICATIONS

BASIC MODEL NUMBER	C3A025	C3B025
SYMBOL		
RATED FLOW	40 l/min 10 USgpm	
PRESSURE	20 - 100 bar 290 - 1450 psi	3 - 40 bar 45 - 580 psi
MAX. INLET PRESSURE	350 bar 5000 psi	
SENSITIVITY: PRESSURE/TURN	10 bar 145 psi	5 bar 73 psi
FLUID*	MINERAL OIL OR SYNTHETIC FLUID WITH LUBRICANT PROPERTIES	
IDEAL VISCOSITY*	15 - 50 cSt 80 - 230 SSU	
SEAL MATERIAL / TEMPERATURE*	NITRILE (Std.) -30°C to +100°C BUNA-N -20°F to +210°F VITON -20°C to +150°C -4°F to +330°F	
FILTRATION*	25 MICRONS (Nom.) OR BETTER	
WEIGHT	0.25 kg 0.55 lb	

* IMPORTANT: See pages 2-3 for additional notes on operating conditions.
 Specifications may change without notice

TYPICAL PERFORMANCE

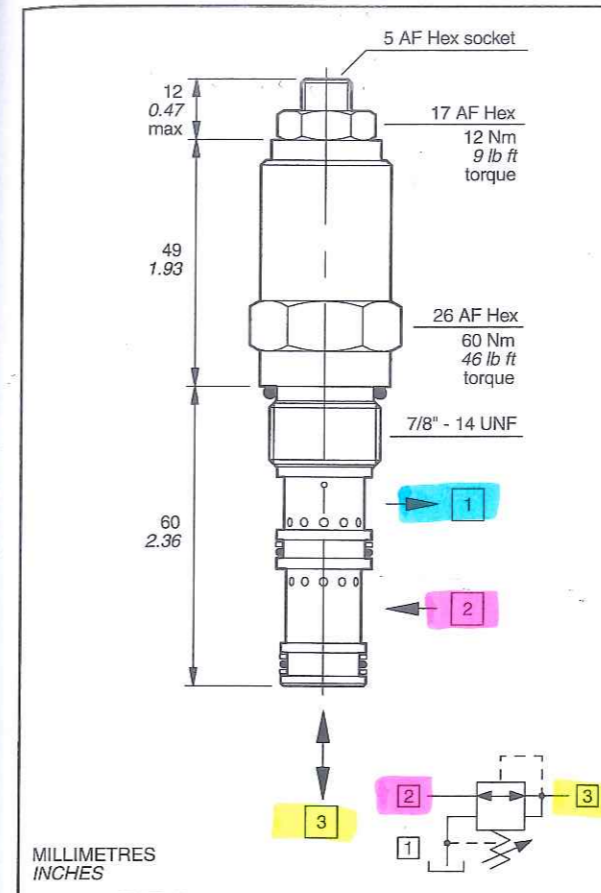
Measured at 30 cSt 140 SSU (For cartridge only)



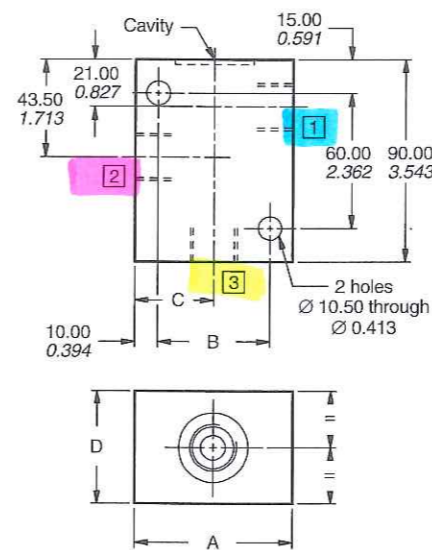
APPLICATION NOTE

- Drain line should be piped directly to tank. Any back pressure in the drain line will be additive to the regulated pressure.

DIMENSIONS



LINE BODY CAVITY 3G: 7/8 - 14 Thread



DIMENSION	A	B	C	D
LB10035	70.00 2.756	50.00 1.969	35.00 1.378	50.00 1.969
LB10071	63.50 2.50	45.00 1.772	32.50 1.28	38.10 1.50

CAVITY TOOLING FOR 3G CAVITY

PILOT DRILL Ø	MM 16.00 INCH 0.63	REAMER (STEEL)	8RM31007S
STEP DRILL	8DS31307	COUNTERBORE	8CB31101
REAMER (ALUM)	8RM31007A	TAP	8TP31201

MACHINING DETAILS page 409

CARTRIDGE C3 B 025 Z

PRESSURE ADJUSTMENT RANGE	A 20 - 100 bar 290 - 1450 psi
	B 3 - 40 bar 45 - 580 psi
ADJUSTER	Z SCREW ADJUSTER (Std.) W HANDKNOB T TAMPERPROOF
FLOW (l/min) AT PRESSURE SETTING	OMIT FOR NO SETTING (Std.) (See below) SPECIFY SETTING IF REQUIRED
PRESSURE SETTING (bar)	
SEAL MATERIAL	N NITRILE BUNA-N (Std.) V VITON

Setting for Std:

C3A025	30 bar at 20 l/min	435 psi at 5.3 USgpm
C3B025	30 bar at 20 l/min	435 psi at 5.3 USgpm

LINE BODY LB10

PORTING	035 1/2 BSP (main) 1/2 BSP (aux) 071 1/2 SAE (main) 1/2 SAE (aux)
LINE BODY MATERIAL	A ALUMINIUM (Anodised) TO 210 bar 3000 psi S STEEL (Zinc plated) TO 420 bar 6000 psi

LINE BODY DETAILS page 373

SEAL KIT	SK30038N-1 (NITRILE BUNA-N) SK30038V-1 (VITON)
----------	---

TAMPERPROOF KIT	TC1125
-----------------	--------

