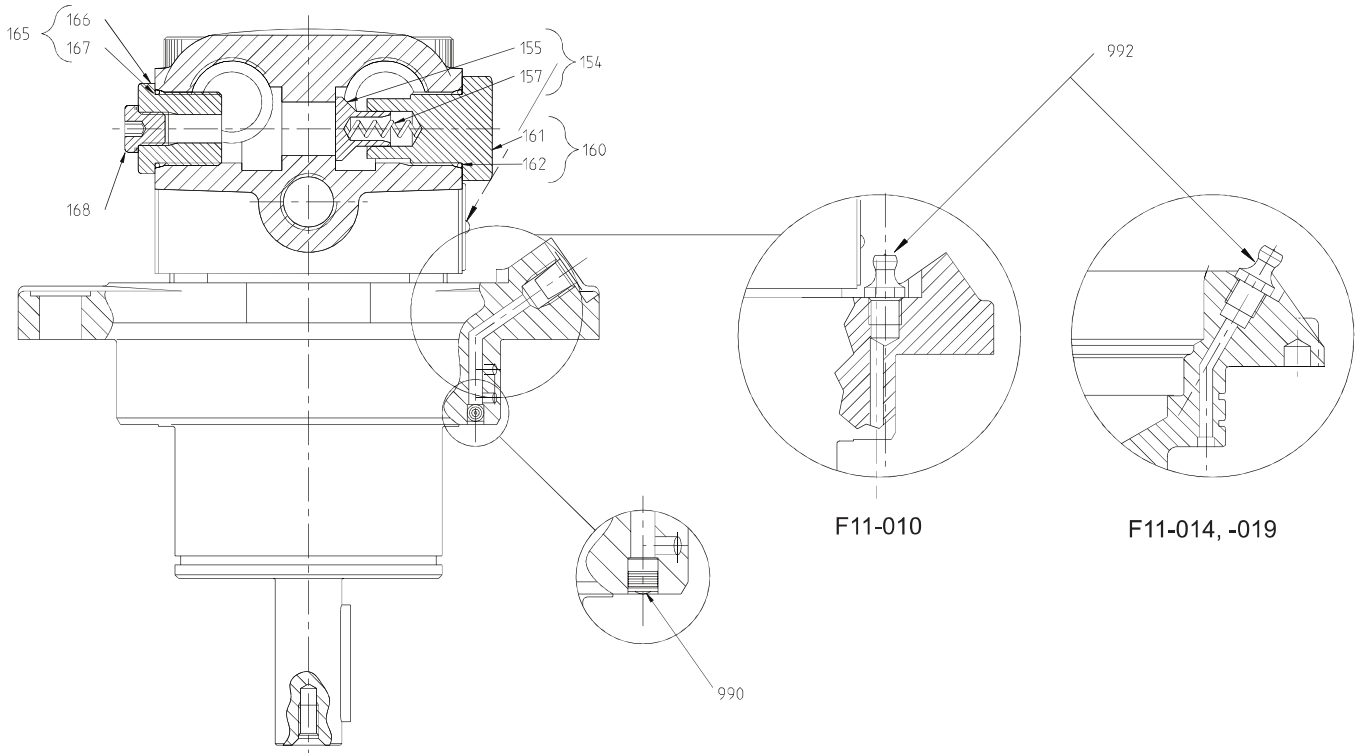


Note! For F11-010 item 155, 157 and 160 are included in item 110.

Note! For F11-019 item 155, 157, 160, 165 and 168 are included in item 110.

Note! Item 990 and 992 are included in item 210.



Item	Part No	Title	Qty	Remarks
61	3785641	Hex Socket Plug	1	
62	3785682	Seal Washer	1	
86	3784472	Powerboost	1	
110	3729655	Barrel Housing Assy CW	1	MUVR
110	3720238	Barrel Housing Assy CCW	1	MUVL
121	3795088	Valve Plate type S	1	
130	3785226	Hex Socket Plug Assy	1	
155	3797289	Chec Valve Cone	1	Incl. in item 110
157	3797290	Compression spring	1	Incl. in item 110
160	3797292	Hex Socket Plug Assy	1	Incl. in item 110
210	3784906	Bearing Housing Assy	1	
237		Retaining Ring	1	
310	3796080	Shaft Assy type K	1	Require flat key
321	3796439	Flat Key for K shaft	1	
411	3702958	Cylinder Barrel	1	
431	3700973	Barrel Retaining Ring	1	
440	3708657	Piston Assy	5	
452	3795832	Ring Gear	1	
460	3798537	Tap Rol Bearing	1	
464	3703853	Spacer Ring	1	
470	118201	Tap Rol Bearing	1	
474	907024	Lock Washer	1	
475	3720563	Round Nut	1	
486	3783044	Guide Spacer	1	
488		Shim	2	Only available in kit
491		Hex Socket Screw	2	Only available in spare part kit
492		Hex Socket Screw	2	Only available in spare part kit
990	118800	Expanding Plug	2	Incl. in item 210
992	3782149	Grease Fitting	1	Incl. in item 210

Kits F11-010 Saw Motor

Part No	Title	Info	Contain item
3783383	Seal Kit Type S		221, 222, 233, 236, 237
3721305	Spare Part Kit	Saw Motor	121, 411, 431, 440, 491, 492
3786906	Piston Ring Kit	Ø 12 mm (60 pcs)	442
3721346	Shims Kit	0,6-0,8 mm (2 pcs of each)	488