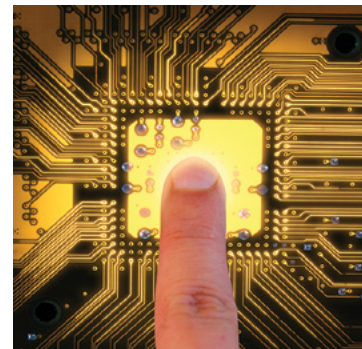


# **IQAN-XC4 Expansion Module Family**

Electronic Control Systems



ENGINEERING YOUR SUCCESS.

# IQAN-XC4

## Efficiency in focus – throughout the entire machine life cycle

The IQAN-XC4 is a new family of expansion modules in the IQANdesign platform, and used together with the IQAN master modules. There are 4 versions that can be used in different ways to meet the requirements of any system.

- XC41 small-size I/O distribution
- XC42 mid-size I/O distribution
- XC43 large-size I/O distribution
- XC44 large-size I/O distribution configured for on/off control

The XC4 family of expansion modules share the same pinout, making it possible for easy up-/down-scaling of the application.

### CAN

The XC4 modules use the IQAN proprietary protocol for connecting to the IQAN master.

The XC4 modules can run classic CAN or CAN-FD with speeds up to 500/2000 kbps. The modules have an auto-baud functionality for optimal bandwidth usage.

### I/O

The XC4 family can support up to 50 inputs and 36 outputs (see the table).

Timer inputs include a mix of inputs with internal pull-up and pull-down, and are also configurable as digital inputs.

0-5 V analog inputs can be used with sensors supplied by the module VREF, as an external reference or configured as DIN.

The XC41, XC42 and XC43 have COUT proportional current outputs with CAM - a Parker Hannifin proprietary solution that uses a combination of high-side and low-side switch with current measurement, enabling fast and accurate closed loop current control.

- No tuning or tweaking CAM regulator circuit guarantees consistent performance on mobile valves
- Precision control with a resolution down to 1 mA, a must when there is a need for controlling precise crane movements
- Zero drift control provides the lowest possible output offset current and drift

Parker Hannifin's zero drift CAM offers initial offset current of less than 5 mA and almost immeasurable offset

current drift over time, temperature and load change.

### General

Operating temperature -40 to 85°C  
Storage temperature -40 to 105°C  
Voltage supply 9 to 32 V

To meet the environment found in mobile machines the XC4 family uses the Molex MX123 high reliability connector system, which is made for harsh environment for high vibration applications.

The enclosure is rated IP66 + IP69K and is a rugged mechanical design, sealed for outdoor use.

The XC4 family has a CE certification according to EMC and ROHS 2 Directives.

### Ordering PN

20085181  
20085182  
20085183  
20085184

### Description

IQAN-XC41  
IQAN-XC42  
IQAN-XC43  
IQAN-XC44

Capabilities	XC41	XC42	XC43	XC44
<b>Inputs total</b>	<b>18</b>	<b>18</b>	<b>50</b>	<b>50</b>
Voltage inputs: 12-bit, 0 – 5 V	8	8	20	20
Voltage inputs: 12-bit, 0 – 32 V	2	2	2	2
Current-loop inputs: 13-bit, 0 – 20 mA	2	2	4	4
Timer inputs (Freq., PWM, Pulse): 0 – 50 KHz	6	6	6	6
Digital inputs	6	6	18	18
<b>Outputs total</b>	<b>8</b>	<b>16</b>	<b>36</b>	<b>36</b>
COUT (HS) <sup>1</sup> : 100 – 2500 mA high-side	2 x 2	6 x 2	10 x 2	-
PWM outputs: 4 A high-side	4	4	8	8
COUT/Digital output (LS) <sup>1</sup> : 2.5 A low-side	4	12	20	20 <sup>2</sup>
Digital outputs: 4 A high-side	-	-	-	5
Digital outputs: 200 mA low-side	-	-	8	8
<b>Network</b>				
CAN	1	1	1	1

1) Denotes pins that are always used in combination with another pin.

2) Only digital outputs

## Environmental protection

### EMI

ISO 13766/ISO 14982 (radiated emission)  
EN 55025:2003 (conducted emission)  
ISO 11452-2:2004 (immunity vs EM field)  
ISO 11452-4:2005 (immunity vs injected RF)  
ISO 7637-2:2004 (immunity vs supply transients)  
ISO 7637-3:2007 (immunity vs supply transients)

### Mechanical environment

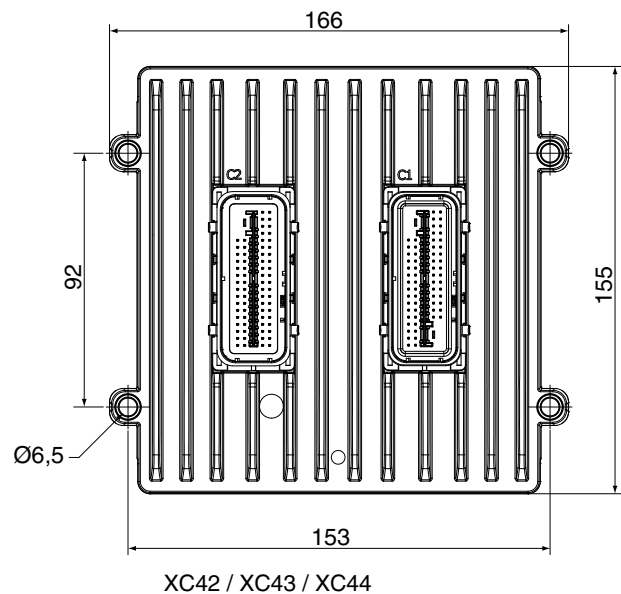
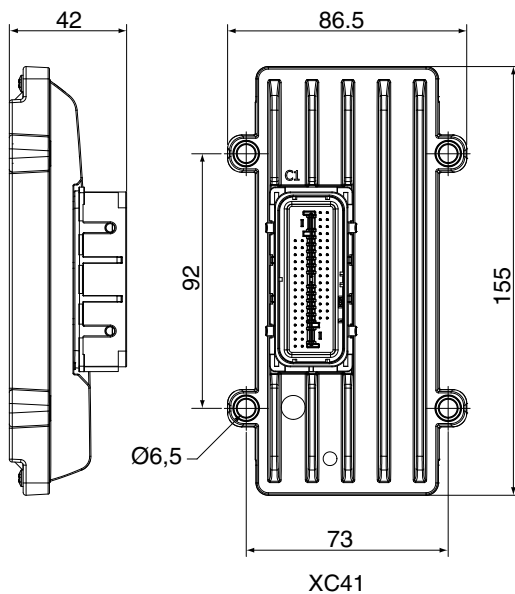
IEC 60068-2-64:2008 Fh (random)  
IEC 60068-2-27:2008 Ea (bump)

### ESD

ISO 10605:2008 (external)

### Climate environment

IEC 60529:2001 IP66 (dust, water)  
DIN 40050 Part 9:1993 IP6K9K (steam jet cleaning)  
IEC 60068-2-30:2005 Db (damp heat, cyclic)  
IEC 60068-2-78:2001 Cab (damp heat, steady state)  
IEC 60068-2-2:2007 Bb (heat)  
IEC 60068-2-1:1993 Ab (cold)  
IEC 60068-2-14:1984 Nb (change of temperature)  
IEC 60068-2-52:1996 Kb (salt mist, cyclic)



## WARNING - USER RESPONSIBILITY

**FAILURE OR IMPROPER SELECTION OR IMPROPER USE OF THE PRODUCTS DESCRIBED HEREIN OR RELATED ITEMS CAN CAUSE DEATH, PERSONAL INJURY AND PROPERTY DAMAGE.**

This document and other information from Parker-Hannifin Corporation, its subsidiaries and authorized distributors provide product or system options for further investigation by users having technical expertise.

The user, through its own analysis and testing, is solely responsible for making the final selection of the system and components and assuring that all performance, endurance, maintenance, safety and warning requirements of the application are met. The user must analyze all aspects of the application, follow applicable industry standards, and follow the information concerning the product in the current product catalog and in any other materials provided from Parker or its subsidiaries or authorized distributors.

To the extent that Parker or its subsidiaries or authorized distributors provide component or system options based upon data or specifications provided by the user, the user is responsible for determining that such data and specifications are suitable and sufficient for all applications and reasonably foreseeable uses of the components or systems.

# Parker Worldwide

## Europe, Middle East, Africa

**AE – United Arab Emirates,**  
Dubai

Tel: +971 4 8127100  
parker.me@parker.com

**AT – Austria,** St. Florian

Tel: +43 (0)7224 66201  
parker.austria@parker.com

**AZ – Azerbaijan,** Baku

Tel: +994 50 2233 458  
parker.azerbaijan@parker.com

**BE/NL/LU – Benelux,**

Hendrik Ido Ambacht  
Tel: +31 (0)541 585 000  
parker.nl@parker.com

**BG – Bulgaria,** Sofia

Tel: +359 2 980 1344  
parker.bulgaria@parker.com

**BY – Belarus,** Minsk

Tel: +48 (0)22 573 24 00  
parker.poland@parker.com

**CH – Switzerland,** Etoy

Tel: +41 (0)21 821 87 00  
parker.switzerland@parker.com

**CZ – Czech Republic,** Klecany

Tel: +420 284 083 111  
parker.czechrepublic@parker.com

**DE – Germany,** Kaarst

Tel: +49 (0)2131 4016 0  
parker.germany@parker.com

**DK – Denmark,** Ballerup

Tel: +45 43 56 04 00  
parker.denmark@parker.com

**ES – Spain,** Madrid

Tel: +34 902 330 001  
parker.spain@parker.com

**FI – Finland,** Vantaa

Tel: +358 (0)20 753 2500  
parker.finland@parker.com

**FR – France,** Contamine s/Arve

Tel: +33 (0)4 50 25 80 25  
parker.france@parker.com

**GR – Greece,** Piraeus

Tel: +30 210 933 6450  
parker.greece@parker.com

**HU – Hungary,** Budaörs

Tel: +36 23 885 470  
parker.hungary@parker.com

**IE – Ireland,** Dublin

Tel: +353 (0)1 466 6370  
parker.ireland@parker.com

**IL – Israel**

Tel: +39 02 45 19 21  
parker.israel@parker.com

**IT – Italy,** Corsico (MI)

Tel: +39 02 45 19 21  
parker.italy@parker.com

**KZ – Kazakhstan,** Almaty

Tel: +7 7273 561 000  
parker.easteurope@parker.com

**NO – Norway,** Asker

Tel: +47 66 75 34 00  
parker.norway@parker.com

**PL – Poland,** Warsaw

Tel: +48 (0)22 573 24 00  
parker.poland@parker.com

**PT – Portugal**

Tel: +351 22 999 7360  
parker.portugal@parker.com

**RO – Romania,** Bucharest

Tel: +40 21 252 1382  
parker.romania@parker.com

**RU – Russia,** Moscow

Tel: +7 495 645-2156  
parker.russia@parker.com

**SE – Sweden,** Borås

Tel: +46 (0)8 59 79 50 00  
parker.sweden@parker.com

**SK – Slovakia,** Banská Bystrica

Tel: +421 484 162 252  
parker.slovakia@parker.com

**SL – Slovenia,** Novo Mesto

Tel: +386 7 337 6650  
parker.slovenia@parker.com

**TR – Turkey,** Istanbul

Tel: +90 216 4997081  
parker.turkey@parker.com

**UA – Ukraine,** Kiev

Tel: +48 (0)22 573 24 00  
parker.poland@parker.com

**UK – United Kingdom,** Warwick

Tel: +44 (0)1926 317 878  
parker.uk@parker.com

**ZA – South Africa,** Kempton Park

Tel: +27 (0)11 961 0700  
parker.southafrica@parker.com

## North America

**CA – Canada,** Milton, Ontario

Tel: +1 905 693 3000

**US – USA,** Cleveland

Tel: +1 216 896 3000

## Asia Pacific

**AU – Australia,** Castle Hill

Tel: +61 (0)2-9634 7777

**CN – China,** Shanghai

Tel: +86 21 2899 5000

**HK – Hong Kong**

Tel: +852 2428 8008

**IN – India,** Mumbai

Tel: +91 22 6513 7081-85

**JP – Japan,** Tokyo

Tel: +81 (0)3 6408 3901

**KR – South Korea,** Seoul

Tel: +82 2 559 0400

**MY – Malaysia,** Shah Alam

Tel: +60 3 7849 0800

**NZ – New Zealand,** Mt Wellington

Tel: +64 9 574 1744

**SG – Singapore**

Tel: +65 6887 6300

**TH – Thailand,** Bangkok

Tel: +662 186 7000

**TW – Taiwan,** Taipei

Tel: +886 2 2298 8987

## South America

**AR – Argentina,** Buenos Aires

Tel: +54 3327 44 4129

**BR – Brazil,** Sao Jose dos Campos

Tel: +55 800 727 5374

**CL – Chile,** Santiago

Tel: +56 2 623 1216

**MX – Mexico,** Toluca

Tel: +52 72 2275 4200

Ed. 2018-09

### EMEA Product Information Centre

Free phone: 00 800 27 27 5374

(from AT, BE, CH, CZ, DE, DK, EE, ES, FI, FR, IE, IL, IS, IT, LU, MT, NL, NO, PL, PT, RU, SE, SK, UK, ZA)

### US Product Information Centre

Toll-free number: 1-800-27 27 537

www.parker.com

