

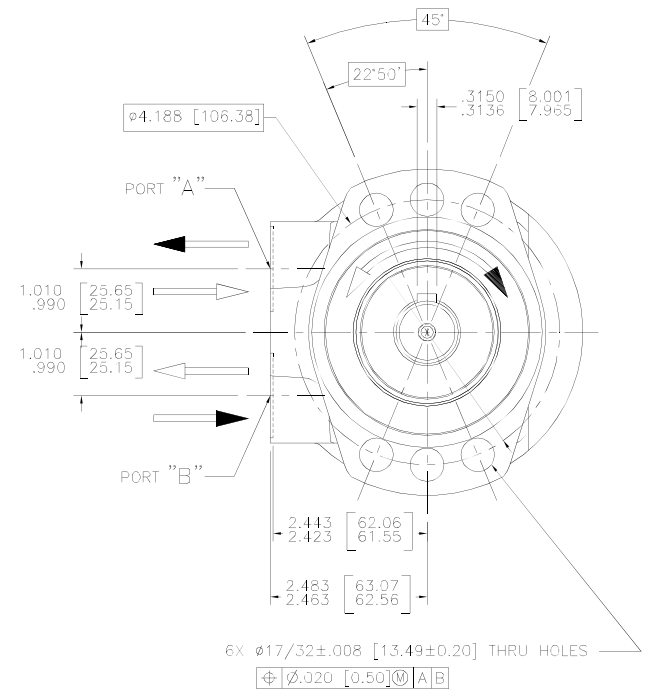
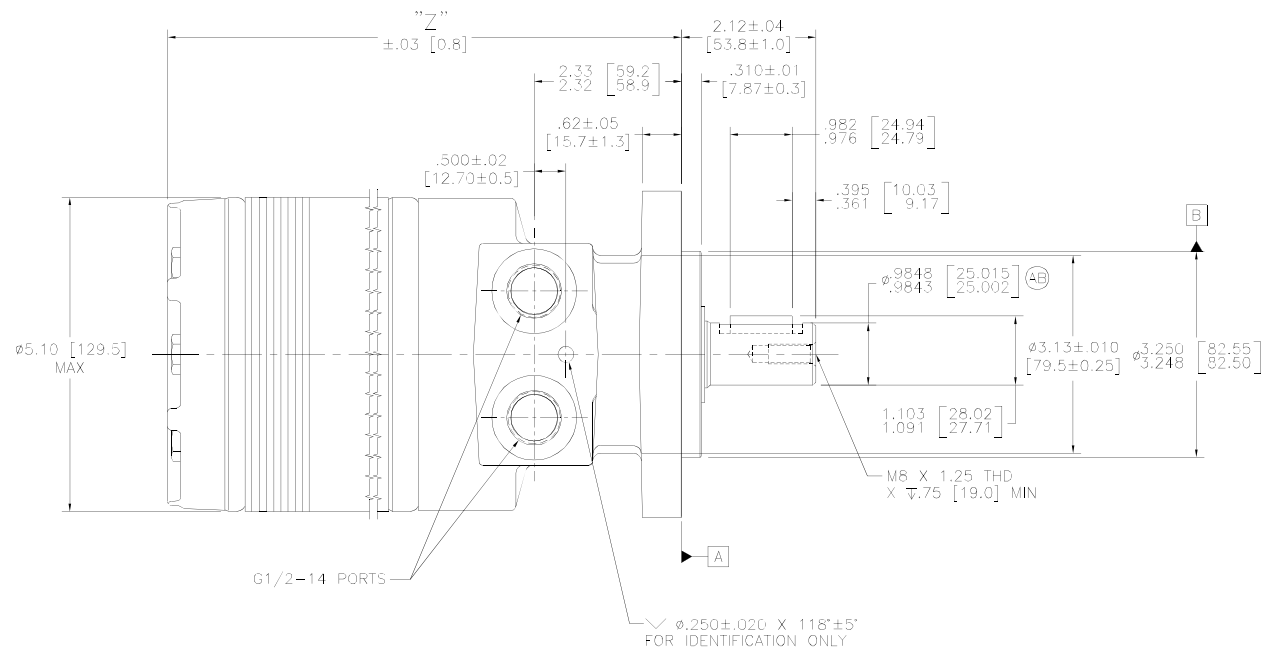
DRAWING NO: TF0000EW26044AB

THIS DRAWING AND ITS INFORMATION IS CONFIDENTIAL. IT IS THE PROPERTY OF PARKER HANNIFIN CORP. AND SHOULD NOT BE LOANED, COPIED, REPRODUCED, OR USED IN ANY MANNER WITHOUT THE WRITTEN PERMISSION OF PARKER HANNIFIN CORP.

DIMENSIONS AND TOLERANCES PER ASME Y14.5 - 2014

DECIMALS CONTROL FIGURES

INCH: 1/16, 1/32, 1/64  
MILLIMETER: .01, .02, .05, .1, .2, .5, 1, 2, 5, 10, 20, 50, 100



TF0475EW260AAAAB	29.1 [475]	9.00 [228.5]
TF0405EW260AAAAB	24.7 [405]	8.66 [220.0]
TF0365EW260AAAAB	23.0 [365]	8.50 [215.8]
TF0360EW260AAAAB	22.2 [360]	8.50 [215.8]
TF0280EW260AAAAB	17.1 [280]	8.12 [206.3]
TF0260EW260AAAAB	16.0 [260]	8.03 [204.1]
TF0240EW260AAAAB	14.5 [240]	7.93 [201.5]
TF0195EW260AAAAB	12.0 [195]	7.75 [196.8]
TF0170EW260AAAAB	10.3 [170]	7.62 [193.6]
TF0140EW260AAAAB	8.6 [140]	7.50 [190.4]
TF0130EW260AAAAB	7.8 [130]	7.43 [188.8]
TF0100EW260AAAAB	6.1 [100]	7.31 [185.7]
TF0080EW260AAAAB	4.9 [080]	7.31 [185.7]

MOTOR ASSY PART NO	DISPLACEMENT in <sup>3</sup> /rev [cm <sup>3</sup> /rev]	"Z"
--------------------	--	-----

NOTE:  
OUTPUT SHAFT TORQUE SHOULD BE LIMITED TO 3500 IN LBS [395 N·m] FOR APPLICATIONS WITH FREQUENT DIIRECTIONAL REVERSALS. TORQUE SHOULD BE LIMITED TO 1500 IN LBS [169 N·m] UNLESS SPECIAL COUPLING DEVICES ARE USED.

NOTE:  
THE RADIAL LOAD OF UP TO 4000 LBS. [1814 kg] MAY BE ALLOWABLE AT A DISTANCE OF 1.17 [29.7] FROM THE MOUNTING FACE. RADIAL LOAD IS CONSIDERED THE VECTOR SUM OF THE RADIAL FORCES ACTING ON THE SHAFT, SUCH AS: CHAIN PULL, GEAR FORCES AND OP WEIGHT ON A DRIVEN WHEEL. SEE SIDELOAD RATING CURVES FOR FURTHER DETAIL. CONTACT YOUR SALES ENGINEER FOR THIS COMPUTATION.  
ALL DIMENSIONS ARE FOR REFERENCE ONLY

ASSEMBLY DRAWING: TF-STD01

REV	EDR NO.	DESCRIPTION	DRN	APP	DATE	REV	EDR NO.	DESCRIPTION	DRN	APP	DATE	REV	EDR NO.	DESCRIPTION	DRN	APP	DATE	REV	EDR NO.	DESCRIPTION	DRN	APP	DATE

REF:	Parker Hannifin Corp. Hydraulic Pump/Motor Division Greenville, TN 37714 USA
SUPERSIDES:	PT-942
PROCESS:	
MATERIAL:	
TITLE:	HYDRAULIC MOTOR ASSEMBLY CHART
SCALE:	FULL
DRAWING NO:	TF0000EW260AAAAB
REV:	AC