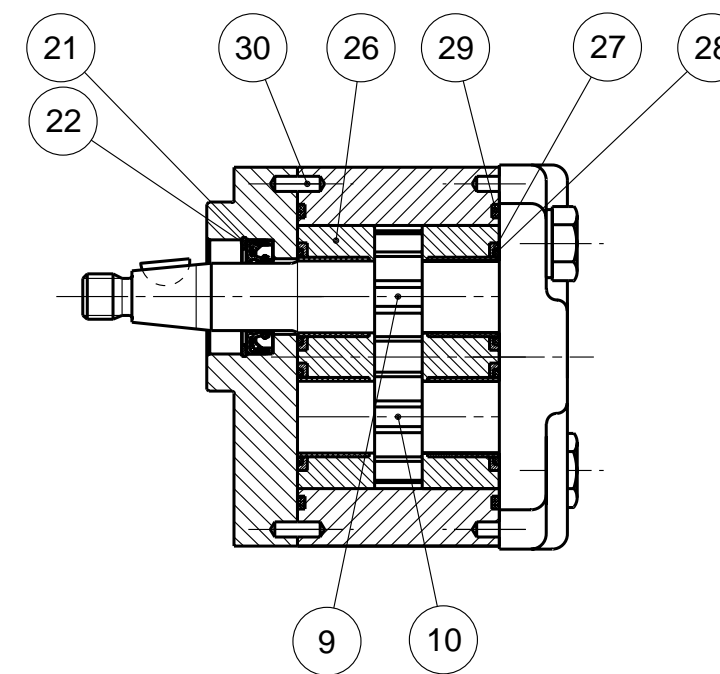
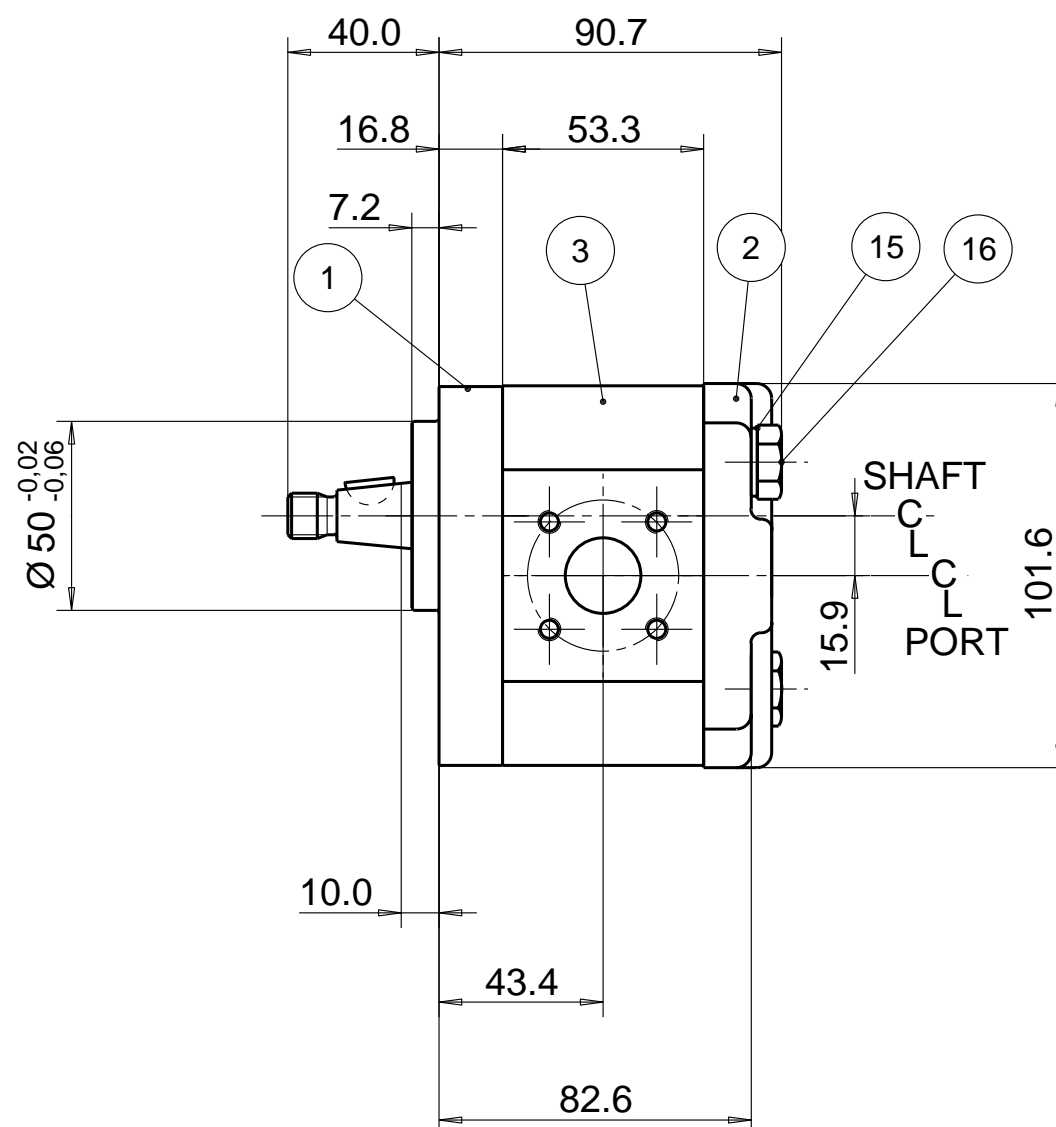
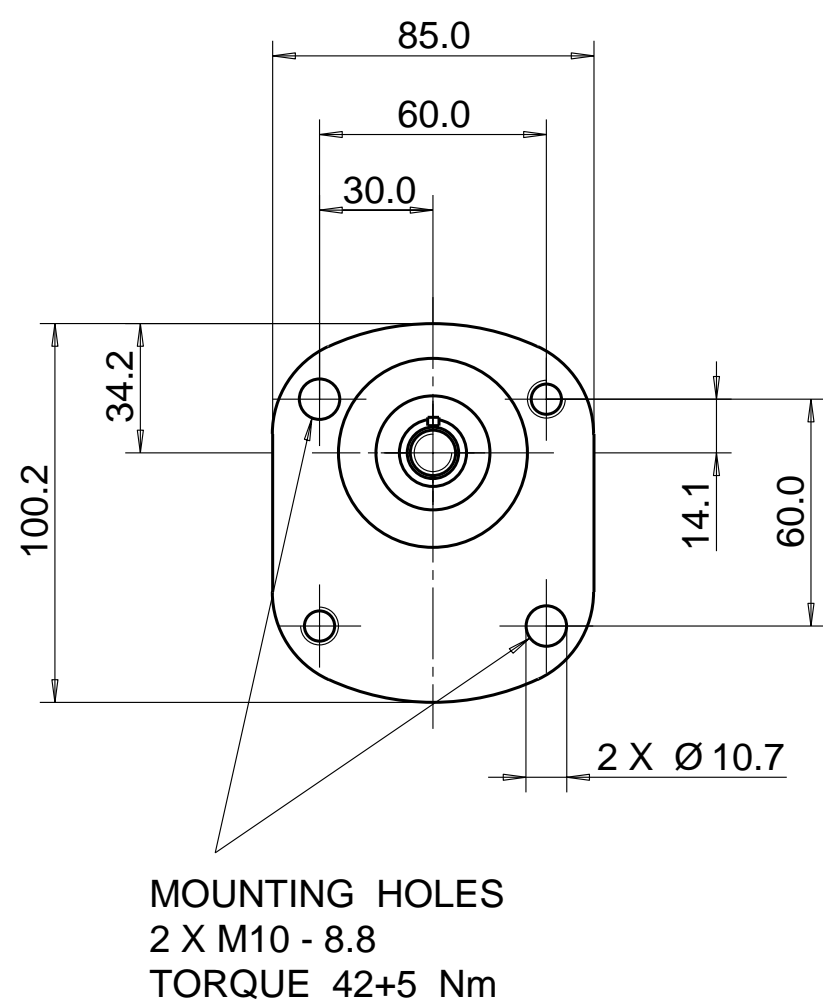
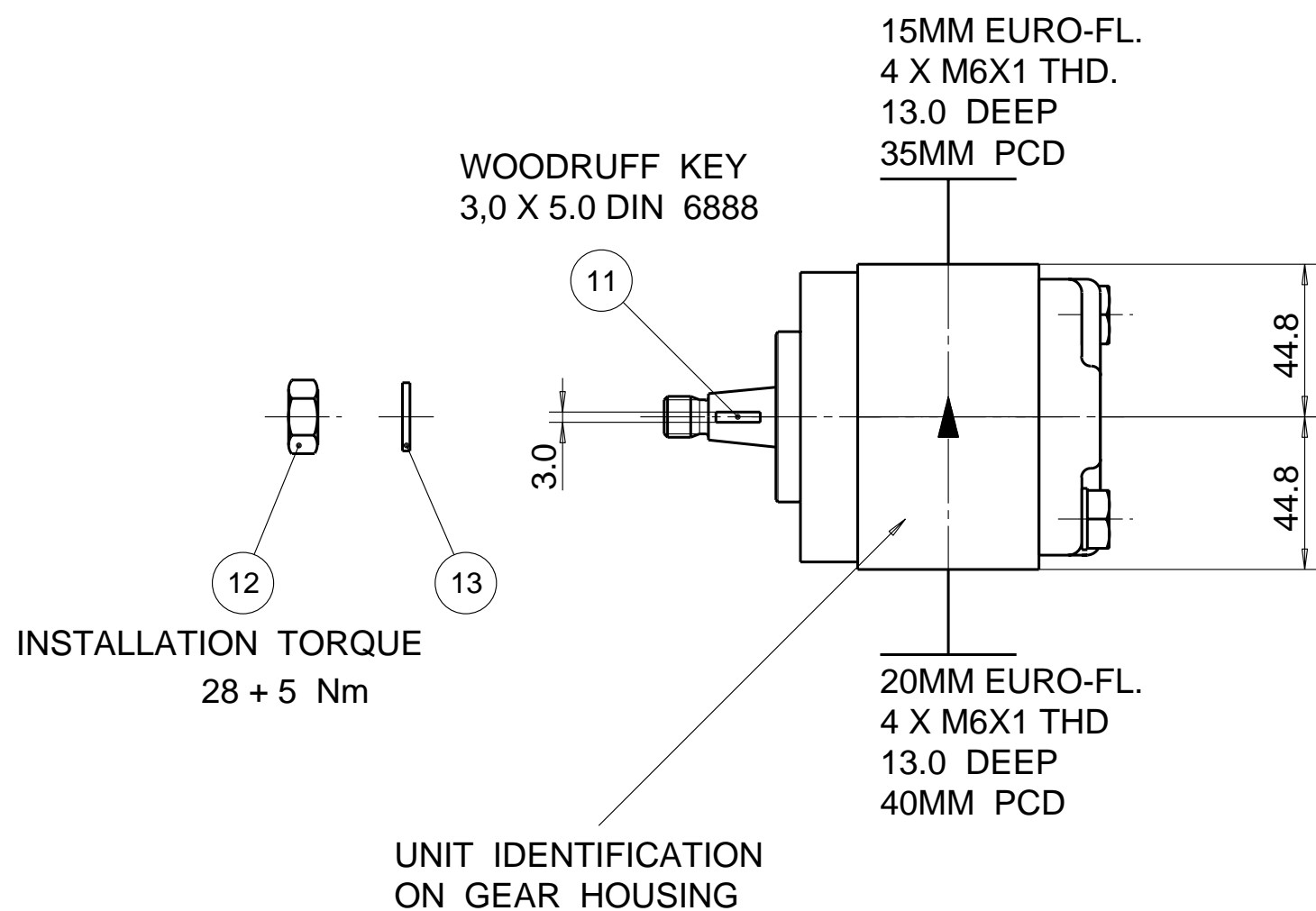
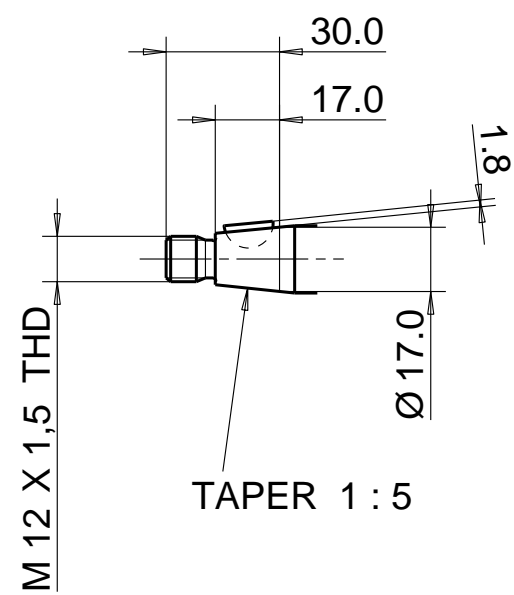


PUMP DATA	
DISPLACEMENT	8,0 ccm
MAX. PRESSURE	250 bar
SPEED RATE	500 TO 3500 min <sup>-1</sup>
MAX. INPUT SHAFT TORQUE	193 NM
ROTATION	ANTI CLOCKWISE



**NOTE**

1 FOR ASSEMBLY INSTRUCTIONS SEE DWG. NO. "511-B1" "PGP511 PUMP ASSEMBLY INSTRUCTIONS".

ITEM	PART NO	REQD	DESCRIPTION	ITEM	PART NO	REQD	DESCRIPTION
28	8611-015-000	2	SEAL. BK-UP	36			
27	8611-016-00R	2	SEAL. CHAN.	35			
26	8898-207-00U	2	THRBLK/BSHG	34			
25				33			
24				32			
23				31			
22	9211-323-00B	1	RING, SNAP	30	391 2080 078	2	PIN. DOWEL
21	8301-019-00K	1	SEAL. LIP	29	9313-145-00B	2	SEAL. SECT.

B2  
B1

ITEM	PART NO	REQ'D	DESCRIPTION
20			
19			
18			
17			
16	391 1401 541	2	SCREW (80 MM)
15	391 3782 258	2	WASHER
14			
13	391 3782 259	1	WASHER
12	391 1451 160	1	NUT
11	391 1781 099	1	KEY
10	334 2708 000	1	DRIVEN GEAR
9	334 1808 600	1	DRIVE GEAR
8			
7			
6			
5			
4			
3	334 8108 901	1	HOUSING. GEAR
2	332 3000 100	1	HOUSING. PEC
1	334 5051 202	1	HOUSING. SEC

THIRD ANGLE PROJECTION

EXP NO.	
FIRST USED	02 - 04 - 99921
334 9112 275	

B2	391 1401 541	WAS	391 1401 855
B1	391 3782 258	WAS	391 3782 231
SYM.	REVISIONS	21OCT09	RP 09-10-944

THIS DOCUMENT CONTAINS INFORMATION THAT IS CONFIDENTIAL AND PROPRIETARY TO PARKER-HANNIFIN CORPORATION ("PARKER"). THIS DOCUMENT IS FURNISHED ON THE UNDERSTANDING THAT THE DOCUMENT AND THE INFORMATION IT CONTAINS WILL NOT BE COPIED OR DISCLOSED TO OTHERS OR USED FOR ANY PURPOSE OTHER THAN CONDUCTING BUSINESS WITH PARKER, AND WILL BE RETURNED AND ALL FURTHER USE DISCONTINUED UPON REQUEST BY PARKER. ALL RIGHTS RESERVED.

**PGP511A0080AS1Q4NJ7J5B1B1**

MATERIAL	ADM CTR P	DR.BY	DATE	CH.BY	DATE	SCALE
H.E.-STD:	REV DTE 21OCT09	PG	14MAY02	WS	14MAY02	1/2
	WT 3.6 Kg	<b>334 9112 275</b>				
DIMENSIONS ARE —MM—		© 2009 Parker Hannifin Corporation				

**Parker** Pump & Motor Division  
Chemnitz