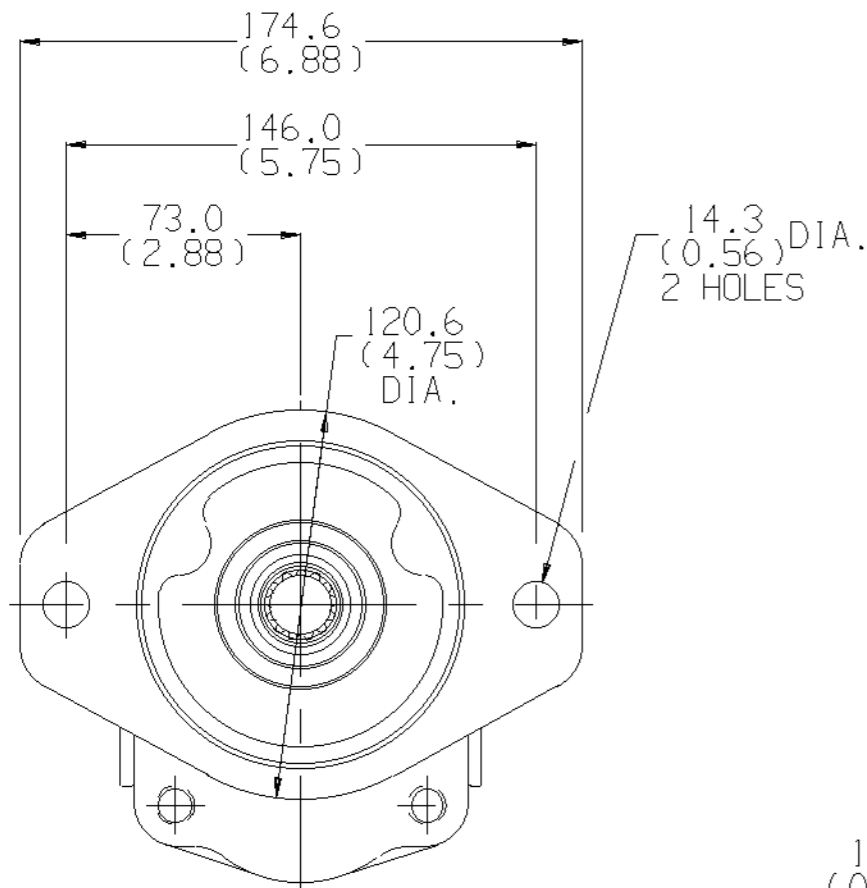
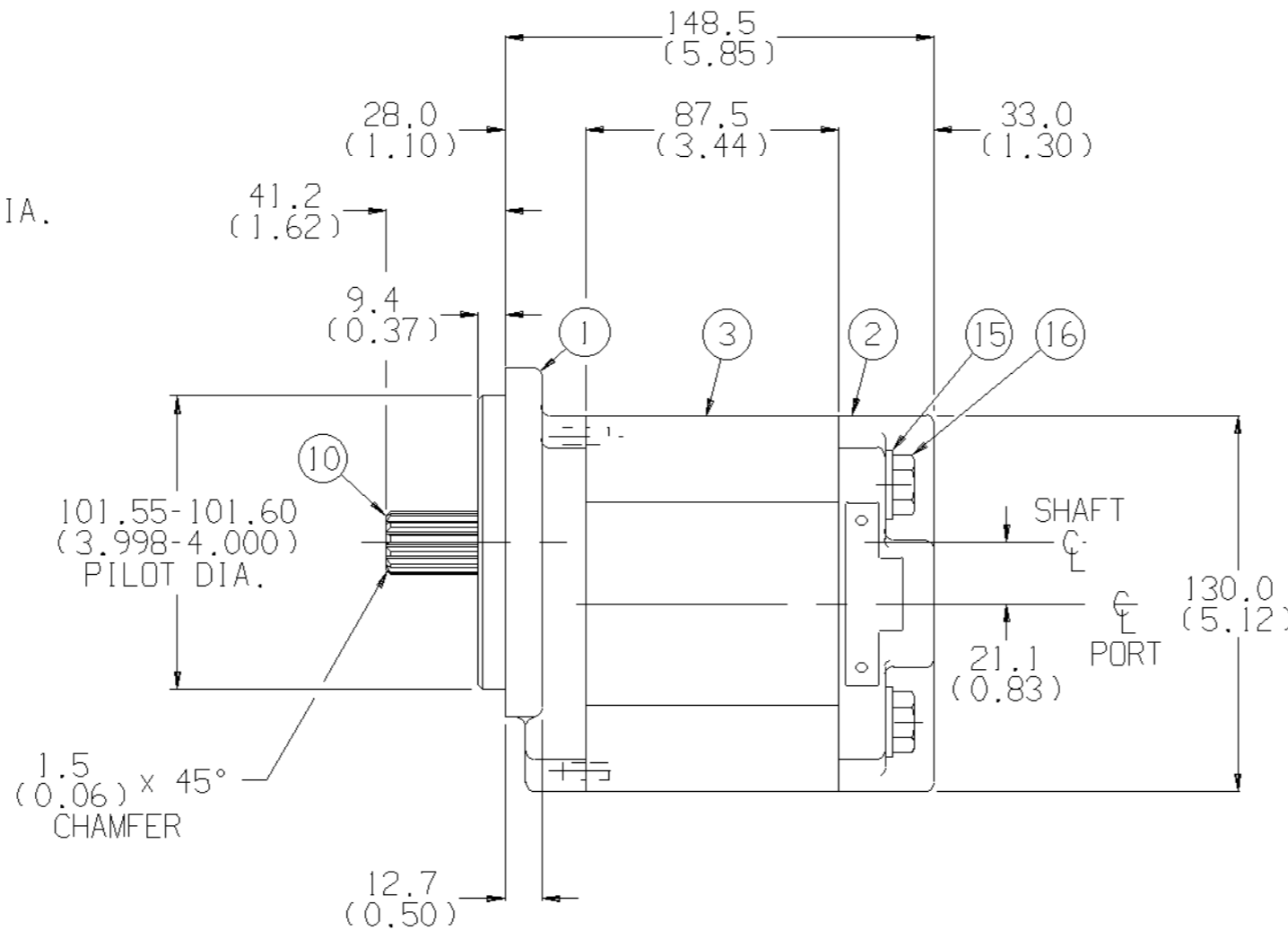


NOTE:

▽ FOR ASSEMBLY INSTRUCTIONS SEE DWG. NO. "17-B1" "PGP17 PUMP ASSEMBLY INSTRUCTIONS".



THIS UNIT ASSEMBLED FOR CCW ROTATION



28	391 2882 162	2	SEAL, BK-UP	36			
27	391 2882 161	2	SEAL, CHAN.	35			
26	391 2185 093	2	THRBLK/BSHG	34			
25				33			
24				32	391 1432 004	2	SCREW, DRIVE
23				31	391 2183 227	1	NAMEPLATE
22				30	391 2080 080	2	PIN, DOWEL
21	391 2883 058	1	SEAL, LIP	29	391 2882 148	2	SEAL, SECT.
ITEM	PART NO	REQD		ITEM	PART NO	REQD	

BOM COMPONENT- PGP17-1GR-SGLROT				BOM, COMPONENT			
---------------------------------	--	--	--	----------------	--	--	--

20	SEE ABOVE	1	BOM, COMPONENT
19			
18			
17			
16	391 1401 556	4	CAPSCREW (130MM LG)
15	391 3782 232	4	WASHER
14			
13			
12			
11			
10	333 2933 340	1	SET, GEAR SHAFT
9			
8			
7			
6			
5			
4			
3	333 8333 100	1	HOUSING, GEAR
2	333 3031 318	1	HOUSING, PEC
1	333 5020 203	1	HOUSING, SEC
ITEM	PART NO	REQ'D	DESCRIPTION

THIS DOCUMENT CONTAINS INFORMATION THAT IS CONFIDENTIAL AND PROPRIETARY TO PARKER-HANNIFIN CORPORATION ("PARKER"). THIS DOCUMENT IS FURNISHED ON THE UNDERSTANDING THAT THE DOCUMENT AND THE INFORMATION IT CONTAINS WILL NOT BE COPIED OR DISCLOSED TO OTHERS OR USED FOR ANY PURPOSE OTHER THAN CONDUCTING BUSINESS WITH PARKER, AND WILL BE RETURNED AND ALL FURTHER USE DISCONTINUED UPON REQUEST BY PARKER. ALL RIGHTS RESERVED.

PGP517A0330AD1H3NB1B1D6D5

ADM CTR	P
REV DTE	051001

DIMENSIONS ARE $\frac{MM}{(INCH)}$

Parker
Hydraulics

PARKER-HANNIFIN CORP.
GEAR PUMP DIVISION
YOUNGSTOWN, OH 44501
USA

DR. BY	DATE	CH. BY	DATE	SCALE
BT	040401	FR1	040901	1/2

333 9112 059

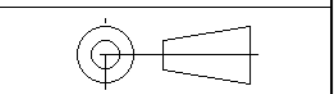
© 2001 PARKER-HANNIFIN CORPORATION

2A 430745A1

REF. OLD ASSEMBLY CODE
P17A296MEAB33-65

040401 01-03-463

THIRD ANGLE PROJECTION



EXP. NO.

FIRST USED

01-03-463

333 9112 059

2A CUSTOMER PART NO. 430745A1 WAS 397442A1

SYM. REVISIONS 051001 TLE 01-05-411