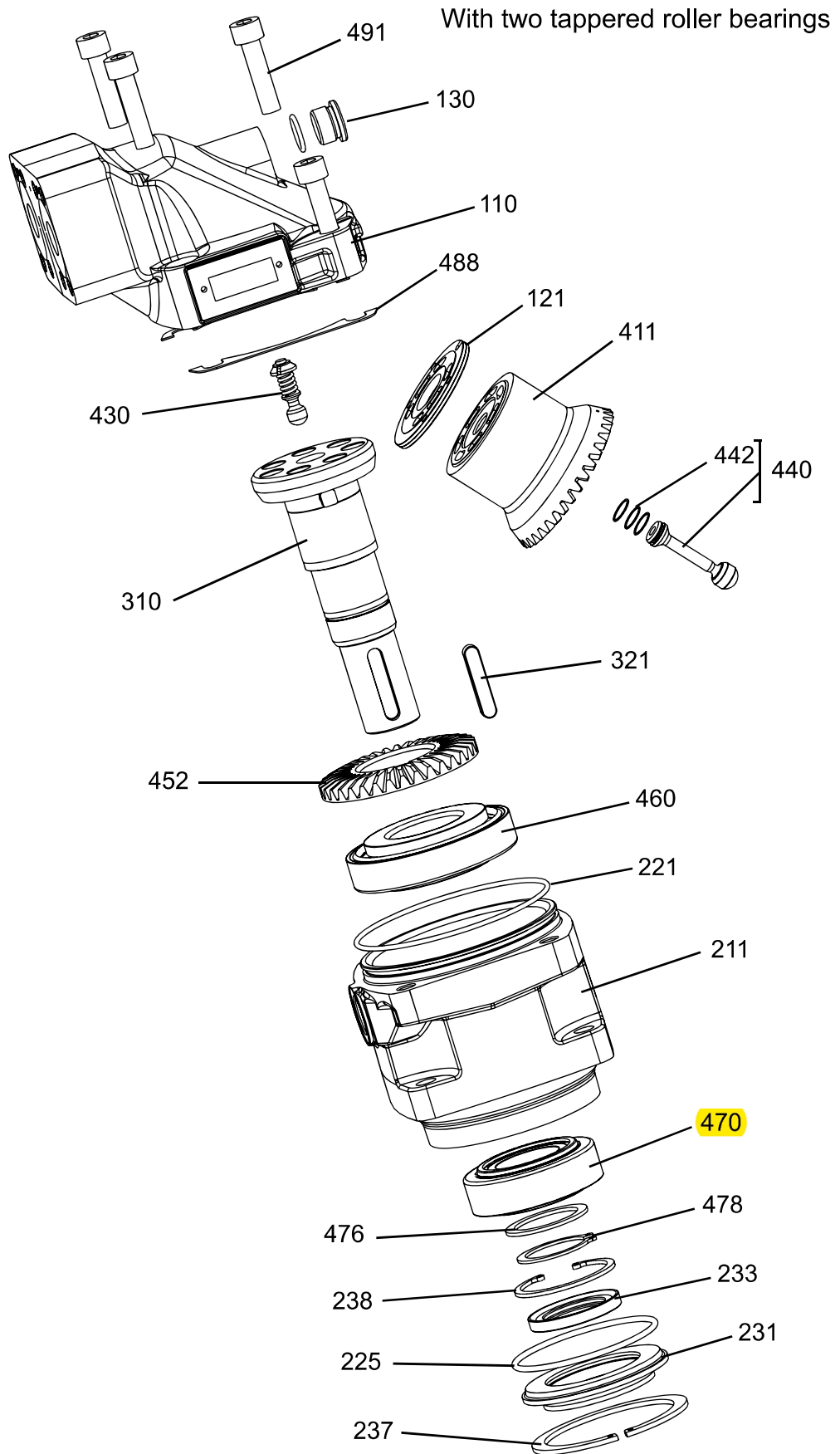


Split View  
Series F12



F12-040 all types from serial no. 1998020001 and up.

With two tapered roller bearings.

| Item  | Part No | Title                | Benämning        | Qty | Remarks                                   |
|-------|---------|----------------------|------------------|-----|---|
| 110   | 3798203 | Barrel Housing Assy  | Trumhus kpl      | 1   | Type F                                    |
| 110   | 3798204 | Barrel Housing Assy  | Trumhus kpl      | 1   | Type S                                    |
| I 110 | 3781398 | Barrel Housing Assy  | Trumhus kpl      | 1   | Type U                                    |
| 121   | 3791573 | Valve Plate          | Ventilskiva      | 1   | Type L                                    |
| 121   | 3793456 | Valve Plate          | Ventilskiva      | 1   | Type M                                    |
| 121   | 3791572 | Valve Plate          | Ventilskiva      | 1   | Type R                                    |
| 130   | 3707298 | Hex Socket Plug Assy | Insexpropp kpl   | 1   | For S-Housing                             |
| 130   | 3793607 | Hex Socket Plug Assy | Insexpropp kpl   | 1   | For F-Housing                             |
| 211   | 3799484 | Bearing Housing      | Lagerhus         | 1   | Type C "See SI 97/04"                     |
| 211   | 3780330 | Bearing Housing      | Lagerhus         | 1   | Type C "Speed sensor"                     |
| 211   | 3799485 | Bearing Housing      | Lagerhus         | 1   | Type I "See SI 97/04"                     |
| 211   | 3799967 | Bearing Housing      | Lagerhus         | 1   | Type I "Speed sensor"                     |
| 211   | 3780130 | Bearing Housing      | Lagerhus         | 1   | Type S "Speed sensor"                     |
| 211   | 3799483 | Bearing Housing      | Lagerhus         | 1   | Type S "See SI 97/04"                     |
| 211   | 3799622 | Bearing Housing      | Lagerhus         | 1   | Type T "See SI 97/04"                     |
| 211   | 3799127 | Bearing Housing      | Lagerhus         | 1   | Type T "Speed sensor"                     |
| 211   | 3799486 | Bearing Housing      | Lagerhus         | 1   | Type X "See SI 97/04"                     |
| 221   | 948865  | O-Ring               | O-Ring           | 1   | Nitril                                    |
| 221   | 976639  | O-Ring               | O-Ring           | 1   | Viton                                     |
| 225   | 925258  | O-Ring               | O-Ring           | 1   | Nitril                                    |
| 225   | 948981  | O-Ring               | O-Ring           | 1   | Viton                                     |
| 229   | 3792913 | O-Ring               | O-Ring           | 1   | Nitril                                    |
| 229   | 976641  | O-Ring               | O-Ring           | 1   | Viton                                     |
| 231   | 3796201 | Seal Carrier         | Tättringshållare | 1   |   |
| 233   | 118752  | Shaft Seal           | Tättningsring    | 1   | Type E, Viton LP                          |
| 233   | 3786838 | Shaft Seal           | Tättningsring    | 1   | Type V, repl. 118752,<br>3795084, 3793419 |
| 237   | 914548  | Retaining Ring       | Spårring         | 1   |   |
| 238   | 914534  | Retaining Ring       | Spårring         | 1   |   |
| 256   | 3793171 | Bleeder Plug         | Luftningspropp   | 1   | For C-Housing, M14                        |
| 257   | 945653  | Seal Washer          | Tätbricka        | 1   | For C-Housing                             |
| 310   | 3799455 | Shaft                | Axel             | 1   | Type C "See SI 97/04"                     |
| 310   | 3799457 | Shaft                | Axel             | 1   | Type D "See SI 97/04"                     |
| 310   | 3799451 | Shaft                | Axel             | 1   | Type K "See SI 97/04"                     |
| 310   | 3799453 | Shaft                | Axel             | 1   | Type S "See SI 97/04"                     |
| 310   | 3799459 | Shaft                | Axel             | 1   | Type T "See SI 97/04"                     |
| 310   | 3799461 | Shaft                | Axel             | 1   | Type Z "See SI 97/04"                     |
| 315   | 3709162 | Guide Pin            | Styrtapp         | 1   |   |
| 321   | 909308  | Flat Key             | Plattkil         | 1   | For K                                     |
| 321   | 118226  | Flat Key             | Plattkil         | 1   | For T                                     |
| 411   | 3798159 | Cylinder Barrel      | Cylindertrumma   | 1   |   |
| 411   | 3782497 | Cylinder Barrel      | Cylindertrumma   | 1   | Pump version                              |
| 430   | 3709839 | Barrel Support Assy  | Trumstöd kpl     | 1   |   |
| 440   | 3791587 | Piston Assy          | Kolv kpl         | 7   |   |
| 442   | 3705969 | Piston Ring          | Lamellring       | 21  | Not available see SI 08/02                |
| 452   | 3791589 | Ring Gear            | Kuggkrans        | 1   |   |
| 460   | 184687  | Tap Rol Bearing      | Kon rullager     | 1   |   |
| 470   | 118770  | Tap Rol Bearing      | Kon rullager     | 1   |   |