

APPLICATION

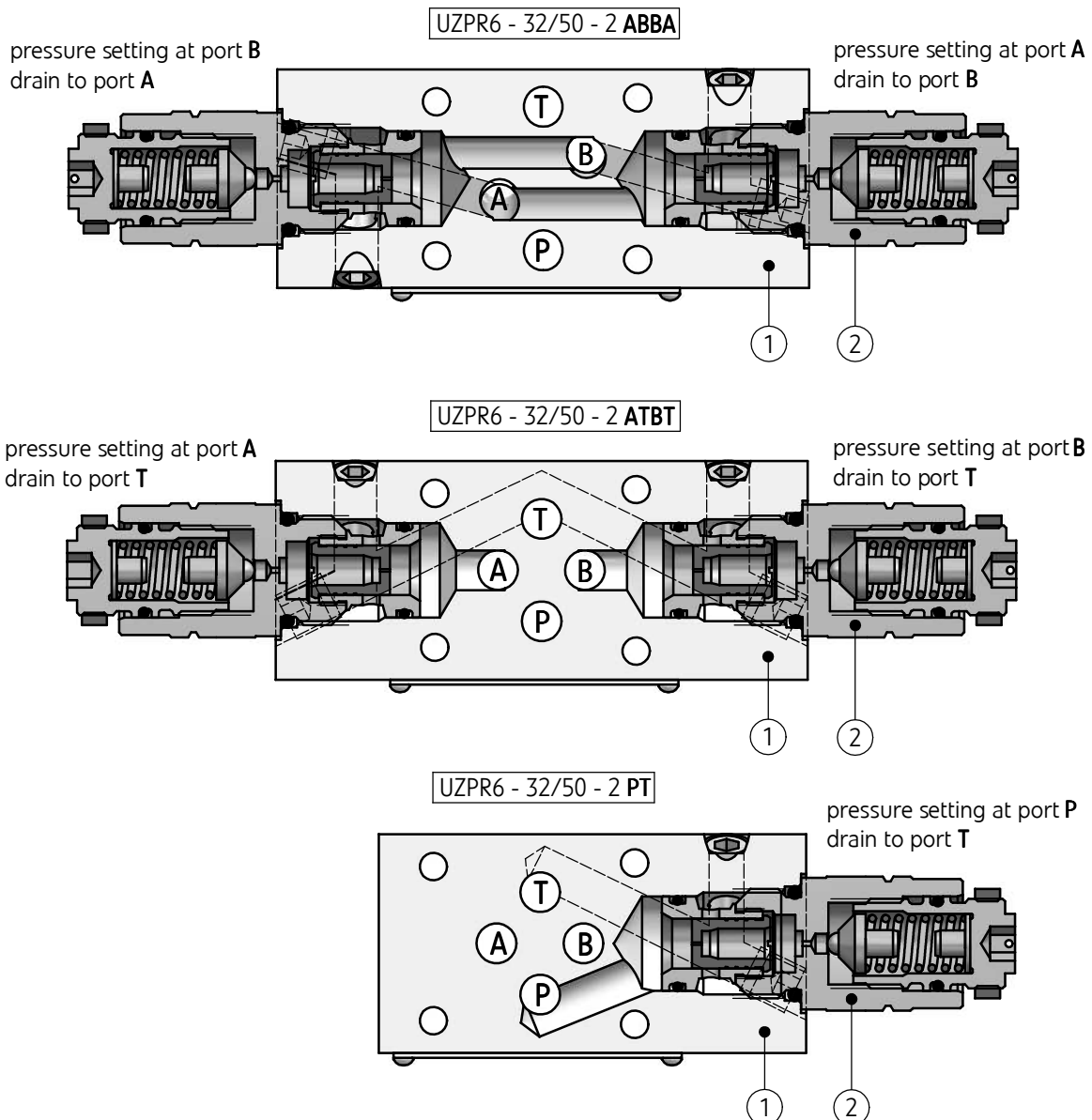
The pressure relief valve, pilot operated, sandwich plate design type **UZPR 6...** is used to limit pressure in hydraulic systems.



DESCRIPTION OF OPERATION

The pressure relief valve type **UZPR 6...** consists of the housing (1) in which the cartridge relief valves (2), pilot operated are installed. Due to appropriate combination

of connection lines in the housing (1) different versions of the valve according to hydraulic schemes shown on page 2 can be obtained.



TECHNICAL DATA

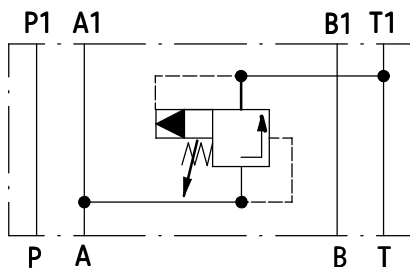
| | | |
|-------------------------------------|--|-------------------|
| Hydraulic fluid | mineral oil | |
| Required filtration | up to 16 μm | |
| Recommended filtration | up to 10 μm | |
| Nominal fluid viscosity | 37 mm ² /s at temperature 55 °C | |
| Viscosity range | 2,8 up to 380 mm ² /s | |
| Fluid temperature range (in a tank) | recommended | 40°C up to 55°C |
| | max | -20°C up to +70°C |
| Ambient temperature range | -20°C up to +70°C | |
| Maximum operating pressure | 31,5 MPa | |
| Settable pressure ranges | 5 MPa; 10 MPa; 20 MPa; 31,5 MPa | |
| Maximum set pressure | 31,5 MPa | |
| Maximum flow | 60 dm ³ / min | |
| Weight | 1,2 or 1,5 kg (in relation to valve version) | |

SCHEMES

Hydraulic schemes of valves type **UZPR6...**

version **UZPR6...AT...**

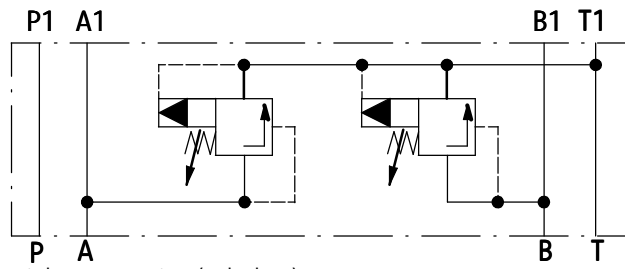
outlet connection (receiver)



inlet connection (subplate)

version **UZPR6...ATBT...**

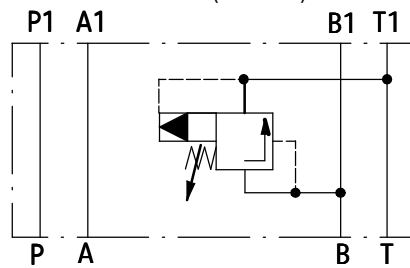
outlet connection (receiver)



inlet connection (subplate)

version **UZPR6...BT...**

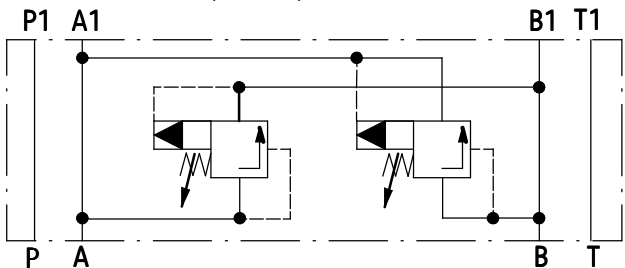
outlet connection (receiver)



inlet connection (subplate)

version **UZPR6...ABBA...**

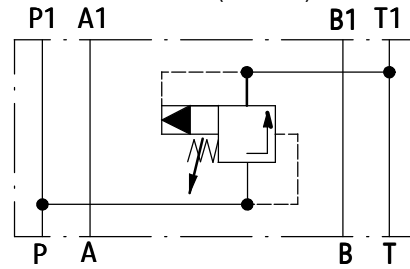
outlet connection (receiver)



inlet connection (subplate)

version **UZPR6...PT...**

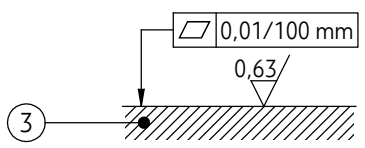
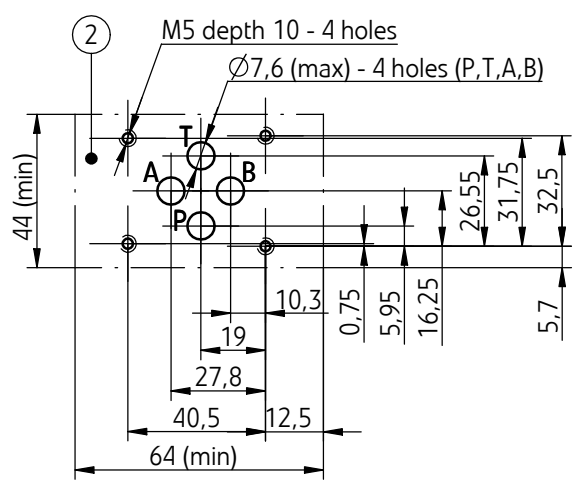
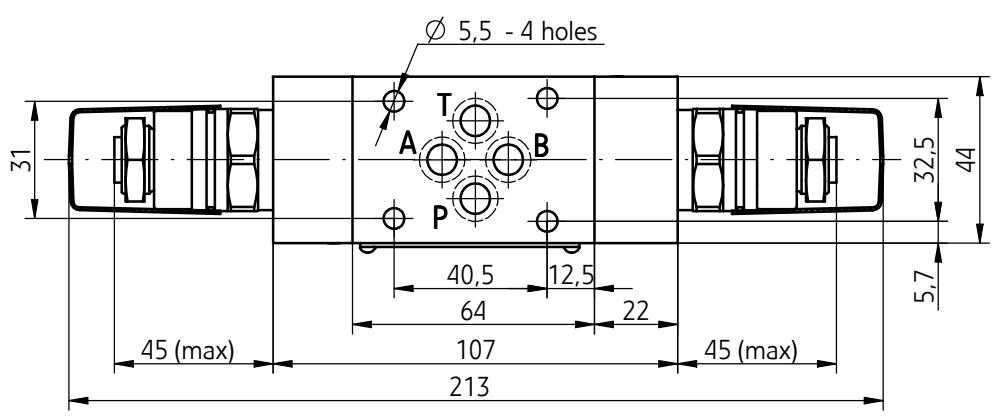
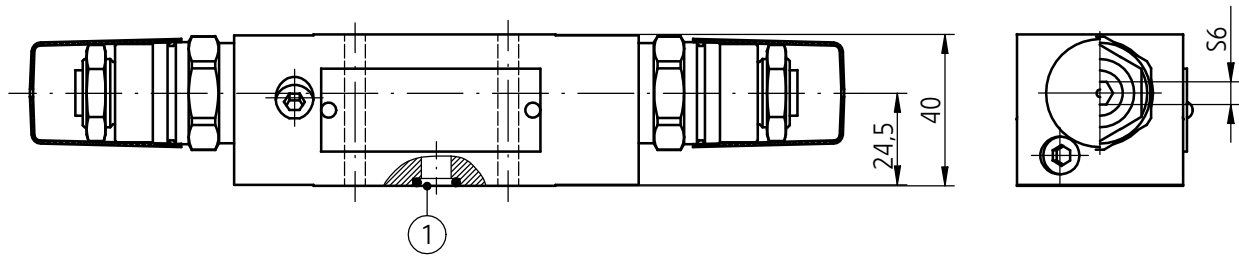
outlet connection (receiver)



inlet connection (subplate)

OVERALL AND CONNECTION DIMENSIONS

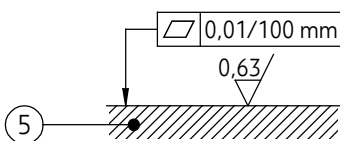
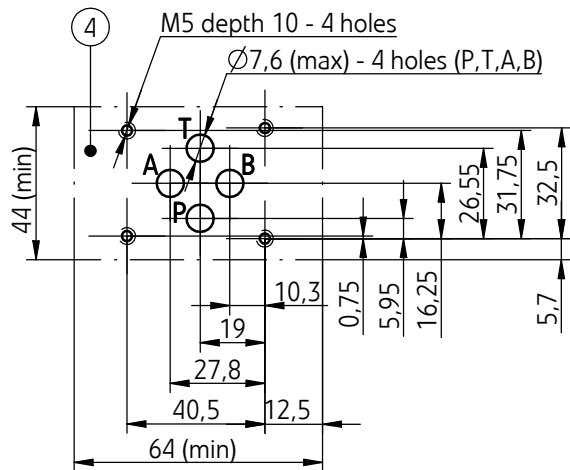
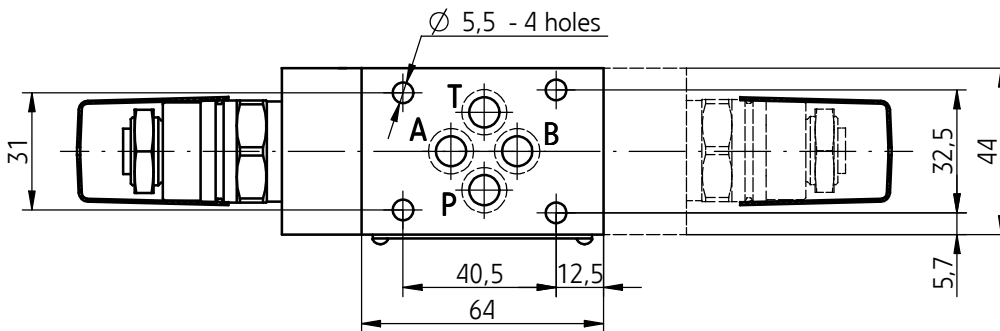
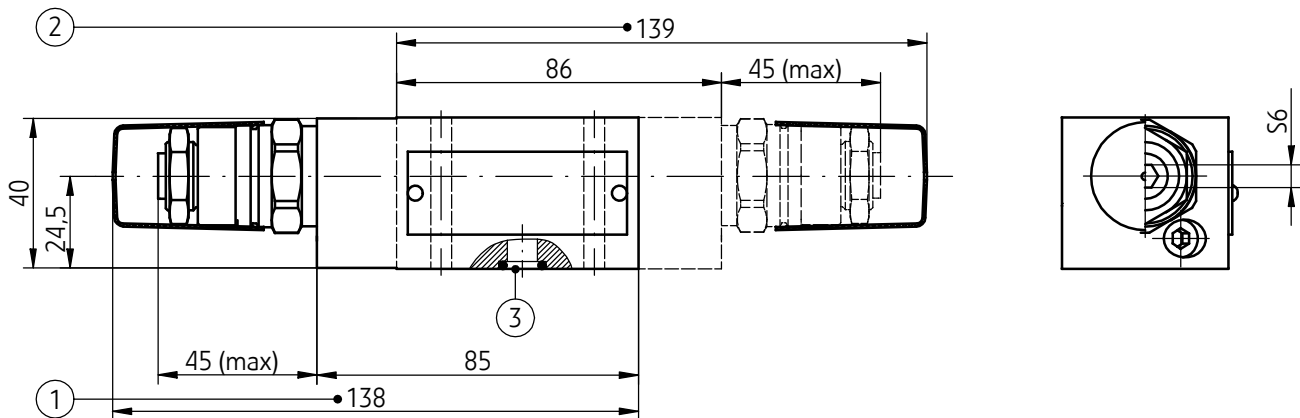
versions: UZPR6...ABBA...; ...ATBT...



- 1 - Seal o-ring **9,2 x 1,8** - 4 pcs/kit (P, T, A, B)
 - 2 - Mounting holes configuration of a subplate in accordance with the standards listed below:
 - CETOP RP 121H - symbol **CETOP 4.2-4-03** (nominal size **CETOP 03**)
 - ISO 4401 - symbol **ISO 4401-03-02-0-94**
 - fixing screws **M5 x L*** - **10.9** - 4 pcs/kit in accordance with **PN - EN ISO 4762** tightening torque **Md = 9 Nm**
 - 3 - Required surface finish of a subplate
- NOTE:**
 (*) - Required length of the screws L is related to type and the number of hydraulic components sandwich fitted

OVERALL AND CONNECTION DIMENSIONS

versions: UZPR6...AT...; ...BT...; ...PT...



- 1 - Overall dimension for the valve version UZPR6...AT...
 - 2 - Overall dimension for the valve versions: UZPR6...PT... ; UZPR6...BT...
 - 3 - Seal o-ring **9,2 x 1,8** - 4 pcs/kit (P, T, A, B)
 - 4 - Mounting holes configuration of a subplate in accordance with the standards listed below:
 - CETOP RP 121H - symbol **CETOP 4.2-4-03** (nominal size **CETOP 03**)
 - ISO 4401 - symbol **ISO 4401-03-02-0-94**
 - fixing screws **M5 x L*** - **10.9** - 4 pcs/kit in accordance with **PN - EN ISO 4762** tightening torque **Md = 9 Nm**
 - 5 - Required surface finish of a subplate
- NOTE:**
 (*) - Required length of the screws L is related to type and the number of hydraulic components sandwich fitted

HOW TO ORDER

| | | | | | | | | |
|-------------|----------|---|---|---|--|--|--|----------|
| UZPR | 6 | + | / | + | | | | * |
|-------------|----------|---|---|---|--|--|--|----------|

Nominal size (NS)

NS6 = **6**

Series number

(30-39) - connection and installation dimensions unchanged = 3X
series 32 = **32**

Settable pressure range

up to **5 MPa** = **50**
 up to **10 MPa** = **100**
 up to **20 MPa** = **200**
 up to **31,5 MPa** = **315**

Adjustment element

set screw with internal hexagon = **2**

Relief function for flow direction (hydraulic schemes according to page 2)

from A to T = AT
 from B to T = BT
 from **P** to **T** = **PT**
 from A to T and from B to T = ATBT
 from A to B and from B to A = ABBA

Sealing

NBR (for fluids on mineral oil base) = **no code**
 FKM (for fluids on phosphate ester base) = V

Further requirements in dear text
 (to be agreed with the manufacturer)

NOTES:

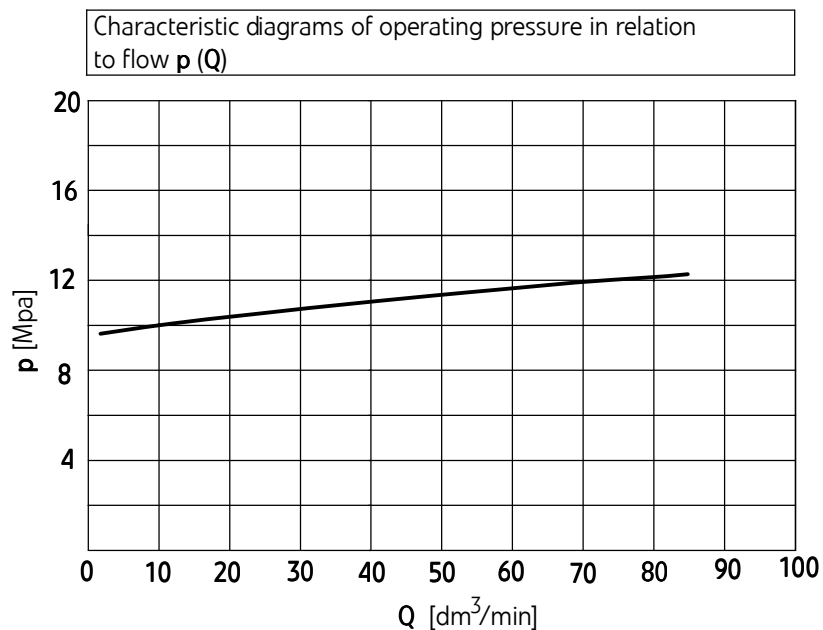
The pressure relief valve should be ordered according to the above coding.

The symbols in bold are the preferred versions available in short delivery time.

Coding example: UZPR6 - 32/315 - 2 PT

PERFORMANCE CURVES

measured at viscosity $\nu = 41 \text{ mm}^2/\text{s}$ and temperature $t = 50^\circ\text{C}$



SUBPLATES AND FIXING SCREWS

Subplates must be ordered according to catalogue sheet **WK 496 480**. Subplate symbols:

- G 341/01** - threaded connections **G 1/4**
- G 342/01 - threaded connections G 3/8
- G 502/01 - threaded connections G 1/2
- G 341/02 - threaded connections M14 x 1,5
- G 342/02 - threaded connections M16 x 1,5

Subplates and screws fixing the relief valve **M5 x L*** - 4 pcs/kit in accordance with **PN - EN ISO 4762** must be ordered separately. Tightening torque **Md = 9 Nm**

NOTES:

(*) - Required length of the screws **L** is related to type and the number of hydraulic components sandwich fitted.

The subplate symbol in bold is the preferred version available in short delivery time.

PONAR Wadowice S.A.
ul. Wojska Polskiego 29
34-100 Wadowice
tel. +48 33 488 21 00
fax. +48 33 488 21 03
www.ponar-wadowice.pl

