

APPLICATION

Pressure relief valve, pilot operated, sandwich plate design type **UZPR10...** is used to limit pressure in hydraulic systems.

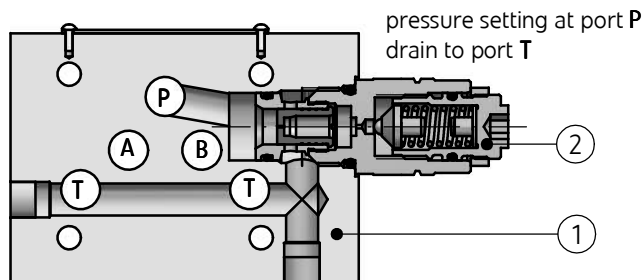


DESCRIPTION OF OPERATION

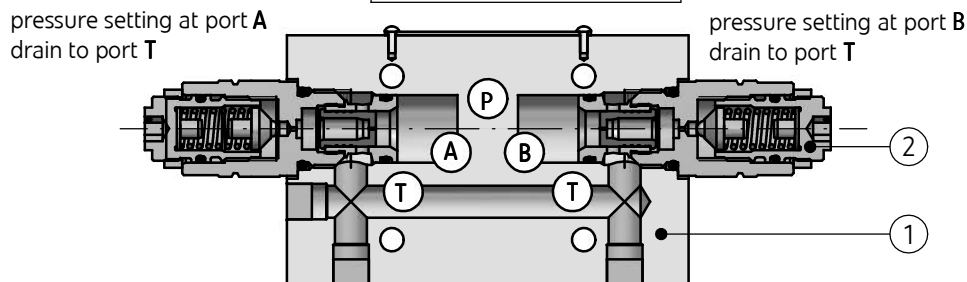
Pressure relief valve sandwich plate type **UZPR10...** consists of a main body (1) and screwed-in relief cartridge valve pilot operated (2) type **UZPS6** according to catalogue sheet **WK 492 860**. Proper drilling of the body allows connections as per hydraulic diagram for

the version. When the pressure in the system exceeds the setting of the valve (2), it opens, causing relief flow to port **T** (for the version **...ABBA...** to port **A** or **B**).

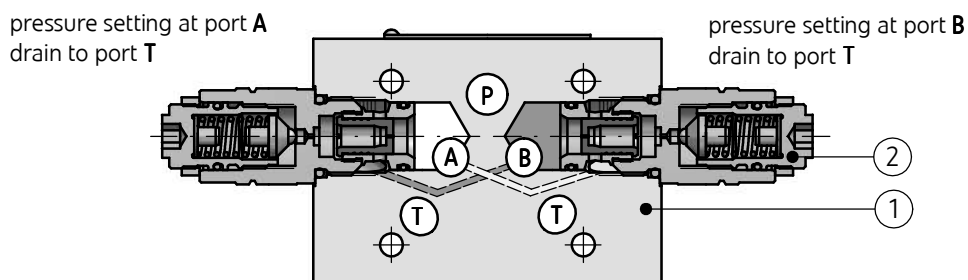
UZPR10S - 02/100 - 2 PT



UZPR10S - 02/100 - 2 ATBT



UZPR10S - 02/100 - 2 ABBA



TECHNICAL DATA

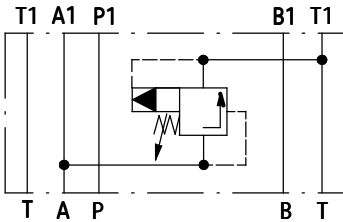
Hydraulic fluid	mineral oil	
Required filtration	up to 16 µm	
Recommended filtration	up to 10 µm	
Nominal fluid viscosity	37 mm ² /s at temperature 55 °C	
Viscosity range	2,8 up to 380 mm ² /s	
Fluid temperature range (in a tank)	recommended	40°C up to 55°C
	max	-20°C up to +70°C
Ambient temperature range	-20°C up to +70°C	
Maximum operating pressure	31,5 MPa	
Settable pressure ranges	5 MPa; 10 MPa; 20 MPa; 31,5 MPa	
Maximum set pressure	31,5 MPa	
Maximum flow	100 dm ³ / min	
Type of cartridge pressure relief valves fitted	UZPS6 according to catalogue sheet WK 492 860	
Weight	1,6 kg for versions: ...AT...; ...PT...; ...BT...	
	2 kg for versions: ...ATBT...; ...ABBA...	

SCHEMES

Hydraulic schemes of valves type UZPR10...

version UZPR10S...AT...

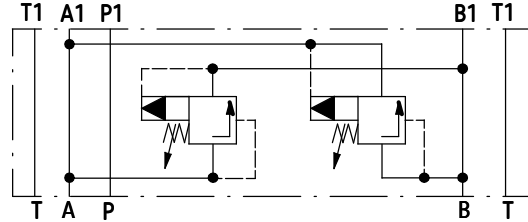
side of a component closing the stack



subplate side

version UZPR10S...ABBA...

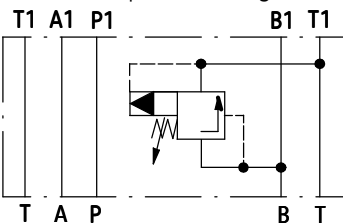
side of a component closing the stack



subplate side

version UZPR10S...BT...

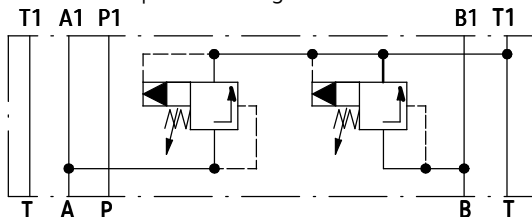
side of a component closing the stack



subplate side

version UZPR10S...ATBT...

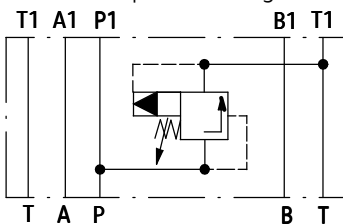
side of a component closing the stack



subplate side

version UZPR10S...PT...

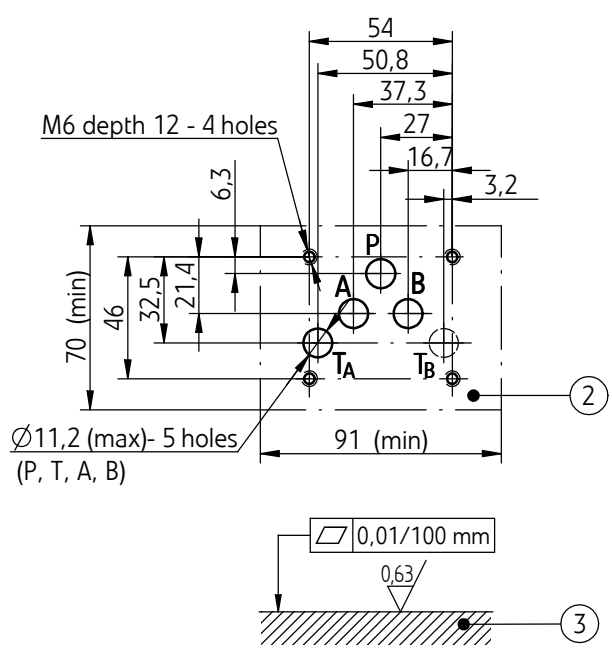
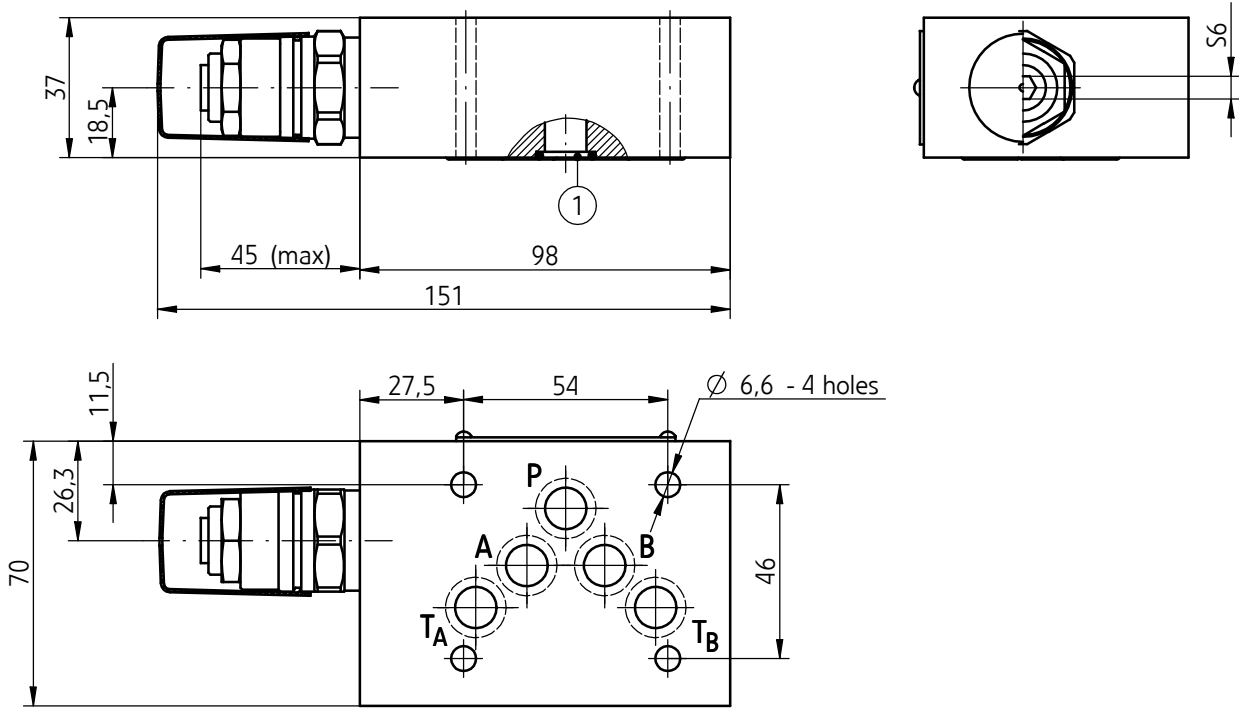
side of a component closing the stack



subplate side

OVERALL AND CONNECTION DIMENSIONS

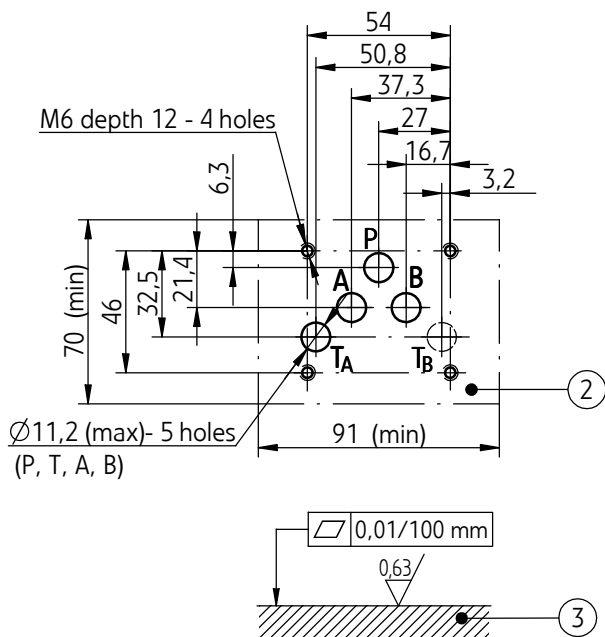
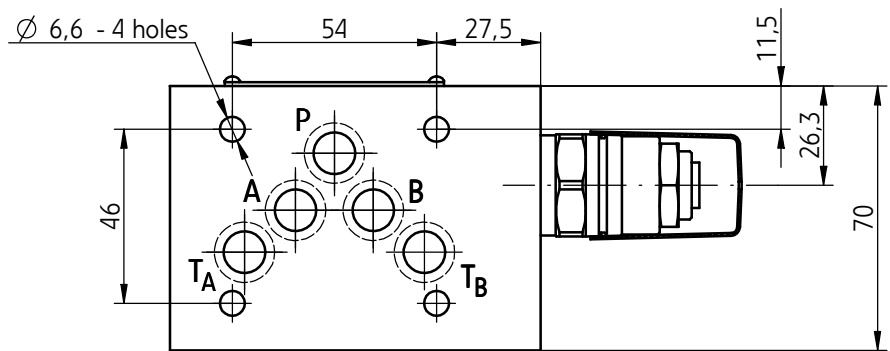
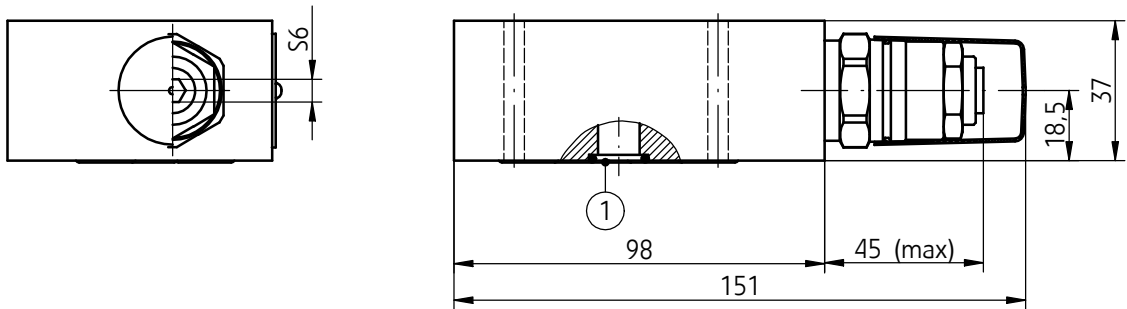
version UZPR10...AT...



- 1 - Seal o-ring 12 x 2 - 5 pcs/kit (P, T_A, T_B, A, B)
 - 2 - Mounting holes configuration of a subplate in accordance with the standards listed below:
 - CETOP RP 121H - symbol CETOP 4.2-4-05 (nominal size CETOP 05)
 - ISO 4401 - symbol ISO 4401-05-04-0-94
 - fixing screws M6 x L* - 10.9 - 4 pcs/kit in accordance with PN - EN ISO 4762 tightening torque Md = 15 Nm
 - 3 - Required surface finish of a subplate
- NOTE:**
 (*) - Required length of the screws L is related to type and the number of hydraulic components sandwich fitted

OVERALL AND CONNECTION DIMENSIONS

versions: UZPR10...BT...; ...PT...



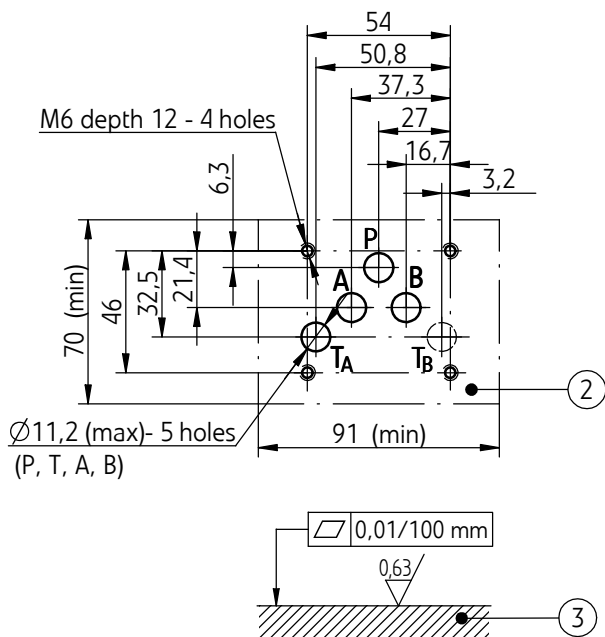
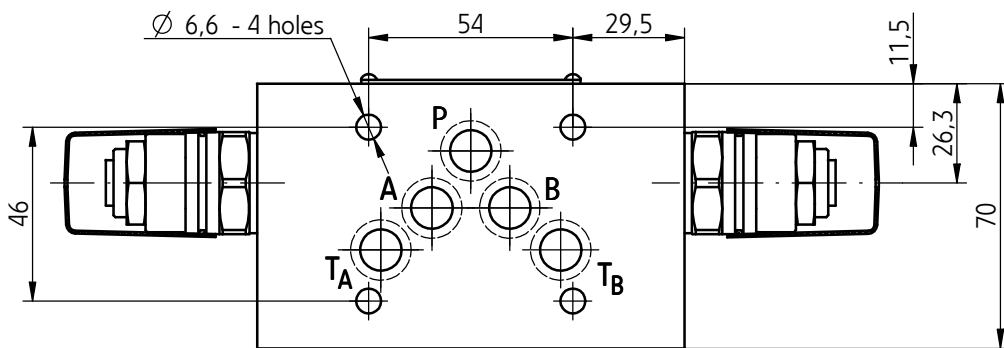
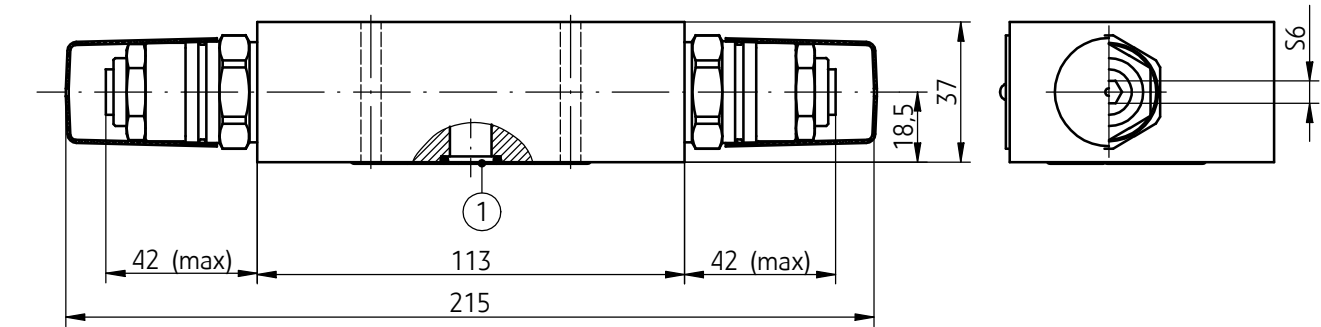
- 1 - Seal o-ring 12 x 2 - 5 pcs/kit (P, T_A, T_B, A, B)
 - 2 - Mounting holes configuration of a subplate in accordance with the standards listed below:
 - CETOP RP 121H - symbol CETOP 4.2-4-05 (nominal size CETOP 05)
 - ISO 4401 - symbol ISO 4401-05-04-0-94
- fixing screws M6 x L* - 10.9 - 4 pcs/kit in accordance with PN - EN ISO 4762 tightening torque Md = 15 Nm
- 3 - Required surface finish of a subplate

NOTE:

(*) - Required length of the screws L is related to type and the number of hydraulic components sandwich fitted

OVERALL AND CONNECTION DIMENSIONS

version UZPR10...ATBT...



- 1 - Seal o-ring 12 x 2 - 5 pcs/kit (P, T_A, T_B, A, B)
 - 2 - Mounting holes configuration of a subplate in accordance with the standards listed below:
 - CETOP RP 121H - symbol CETOP 4.2-4-05 (nominal size CETOP 05)
 - ISO 4401 - symbol ISO 4401-05-04-0-94
- fixing screws M6 x L* - 10.9 - 4 pcs/kit in accordance with PN - EN ISO 4762
tightening torque Md = 15 Nm

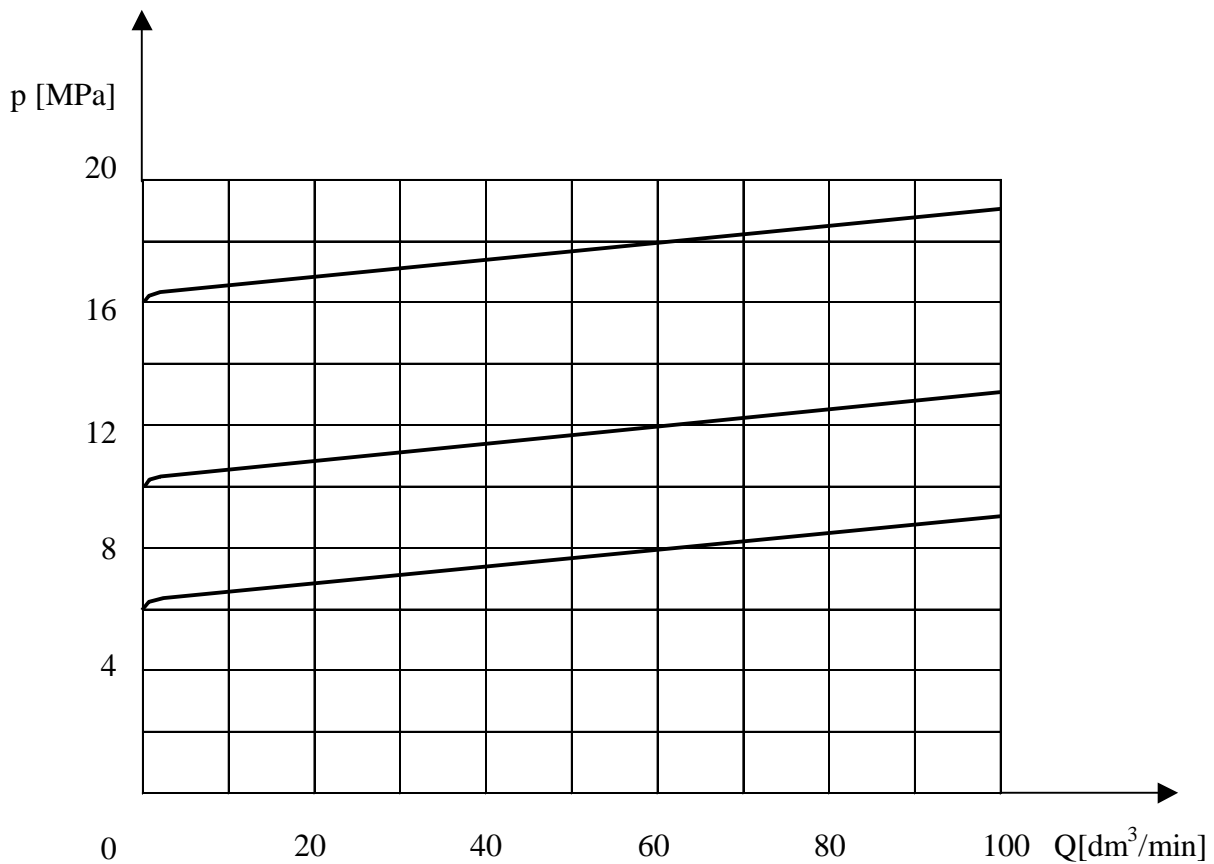
3 - Required surface finish of a subplate

NOTE:

(*) - Required length of the screws L is related to type and the number of hydraulic components sandwich fitted

PERFORMANCE CURVES

measured at viscosity $\nu = 41 \text{ mm}^2/\text{s}$ and temperature $t = 50^\circ\text{C}$



SUBPLATES AND FIXING SCREWS

Subplates must be ordered according to the catalogue sheet **WK 496 520**. Subplate symbols:

G 66/01 - threaded connection G 3/8

G 67/01 - threaded connection **G 1/2**

G 89/01 - threaded connection G1/4

G 67/02 - threaded connection M22 x1,5

Subplates and screws fixing the relief valve

M6 x L* - 10,9 - 4 pcs/kit in accordance with **PN - EN ISO 4762** must be ordered separately.

Tightening torque **Md = 15 Nm**

NOTES:

(*) - Required length of the screws L is related to type and the number of hydraulic components sandwich fitted.

The subplate symbol in bold is the preferred version available in short delivery time.

HOW TO ORDER

UZPR	10	S	/	+			*
-------------	-----------	----------	----------	----------	--	--	----------

Nominal size (NS) NS10	= 10
Pressure relief valves fitted valves type UZPS6	= S
Series number (00-09) - connection and installation dimensions unchanged series 02	= 0X = 02
Settable pressure range up to 5 MPa up to 10 MPa up to 20 MPa up to 31,5 MPa	= 50 = 100 = 200 = 315
Adjustment element set screw with internal hexagon	= 2
Relief function for flow direction (hydraulic schemes according to page 2) from A to T from B to T from P to T from A to T and from B to T from A to B and from B to A	= AT = BT = PT = ATBT = ABBA
Sealing NBR (for fluids on mineral oil base) FKM (for fluids on phosphate ester base)	= no code = V
Further requirements in clear text (to be agreed with the manufacturer)	

NOTES:

The pressure relief valve should be ordered according to the above coding.

The symbols in bold are the preferred versions available in short delivery time.

Coding example: UZPR10S - 02/315 - 2 PT

PONAR Wadowice S.A.
ul. Wojska Polskiego 29
34-100 Wadowice
tel. +48 33 488 21 00
fax. +48 33 488 21 03
www.ponar-wadowice.pl

