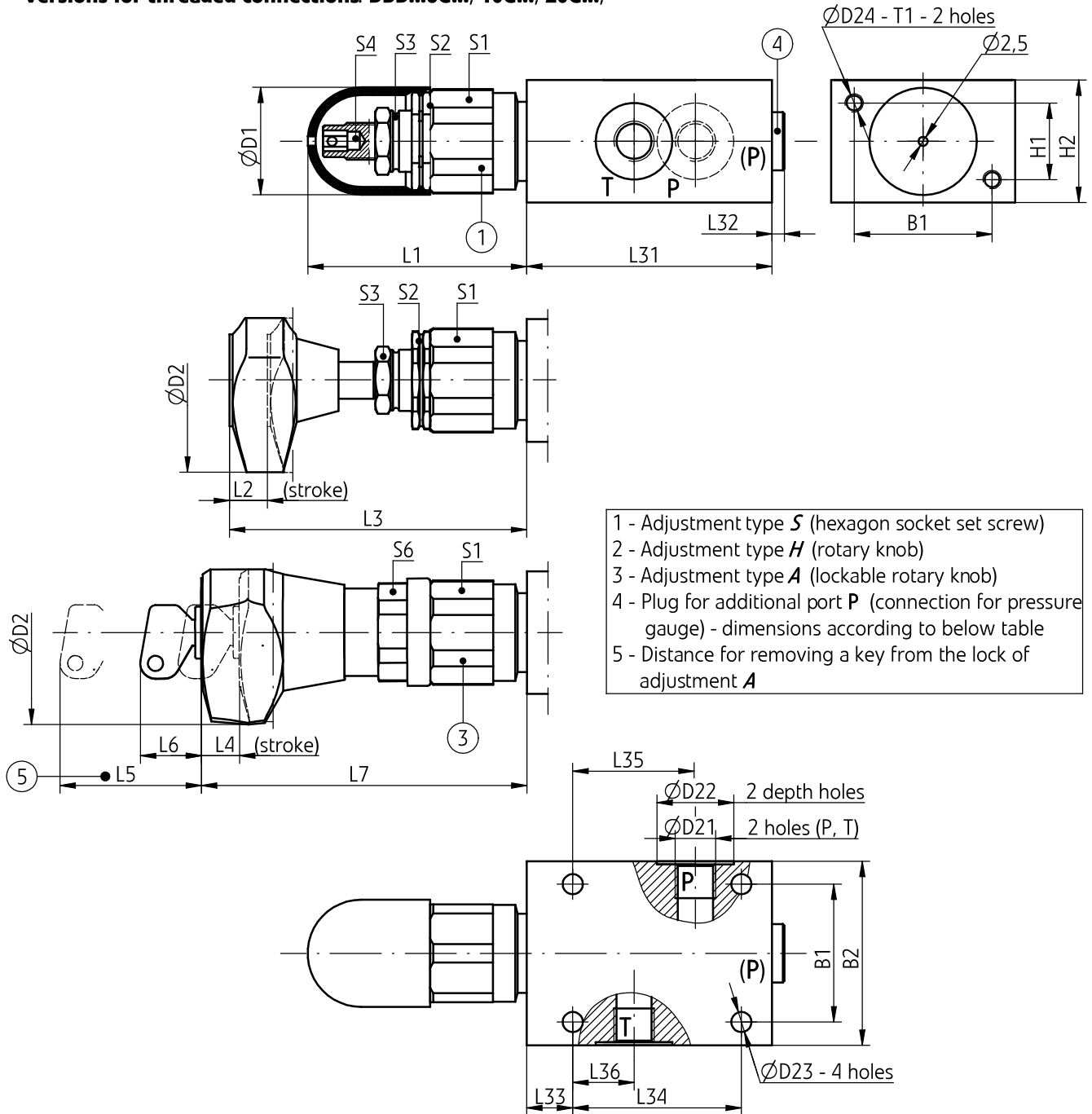


OVERALL AND CONNECTION DIMENSIONS

versions for threaded connections: DBD...6G...; 10G...; 20G...;



valve version	B1	B2	ØD1	ØD2	ØD21	ØD22	ØD23	ØD24	H1	H2	L1	L2	L3	L4	L5	L6	L7
DBD...6 G...	45	60	34	60	G1/4	25	6,6	M6	25	40	72	11	95,5	11	46	18	106,5
DBD...10 G...	60	80	38	60	G1/2	34	9	M8	40	60	68	11	91,5	11	46	18	102,5
DBD...20 G...	70	100	48	60	G1	47	9	M8	50	70	65	11	87	11	46	18	98

valve version	L31	L32	L33	L34	L35	L36	S1	S2	S3	S4	S6	T1	port (P)	weight [kg]
DBD...6 G...	80	4	15	55	40	20	32	30	19	6	30	10	G1/4	1,6
DBD...10 G...	100	4	20	70	49	21	36	30	19	6	30	15	G1/2	3,7
DBD...20 G...	135	5,5	20	100	65	34	46	36	19	6	30	18	G1	7