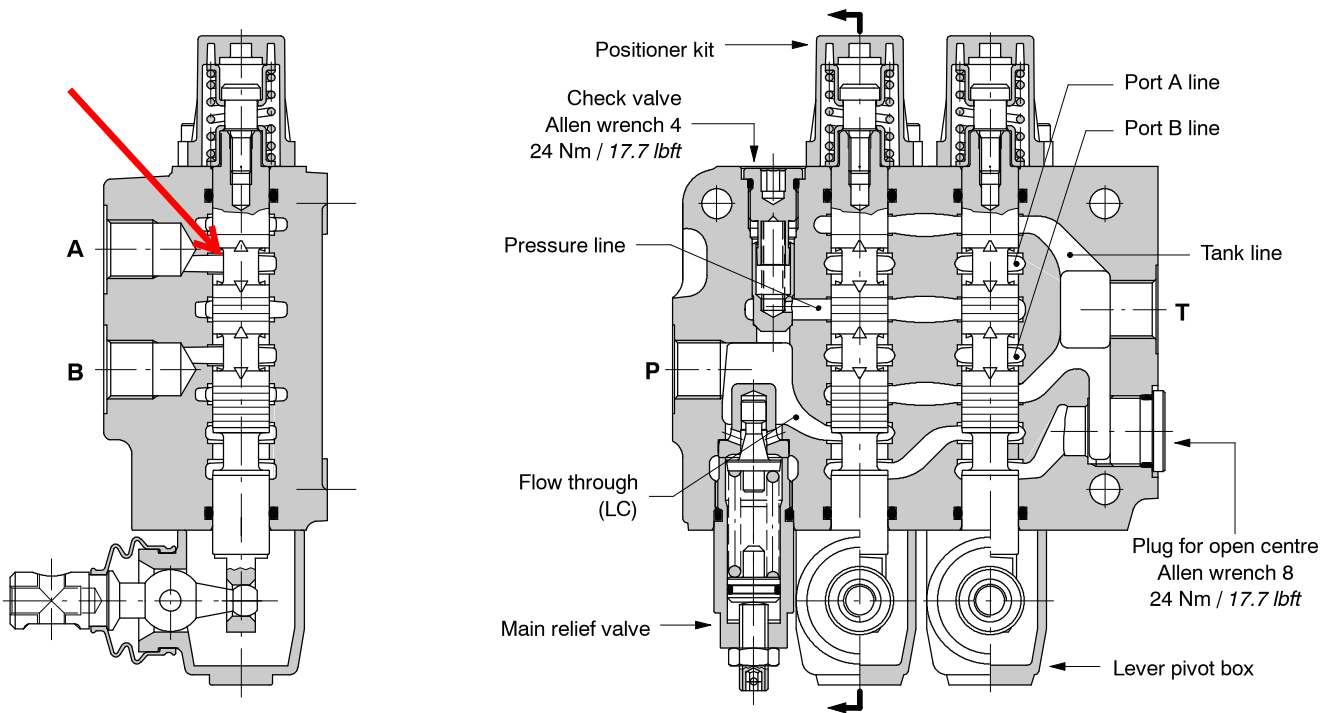
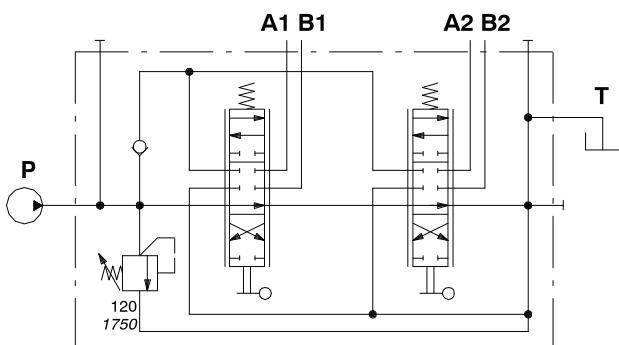


**Parallel**

Standard configuration with side inlet and outlet and open centre (AET execution).

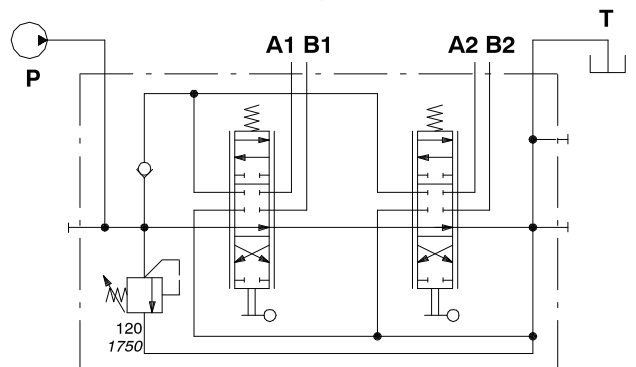


**Standard configuration**



Description example  
SD5/2-P(JG3-120)/18L/18L/AET

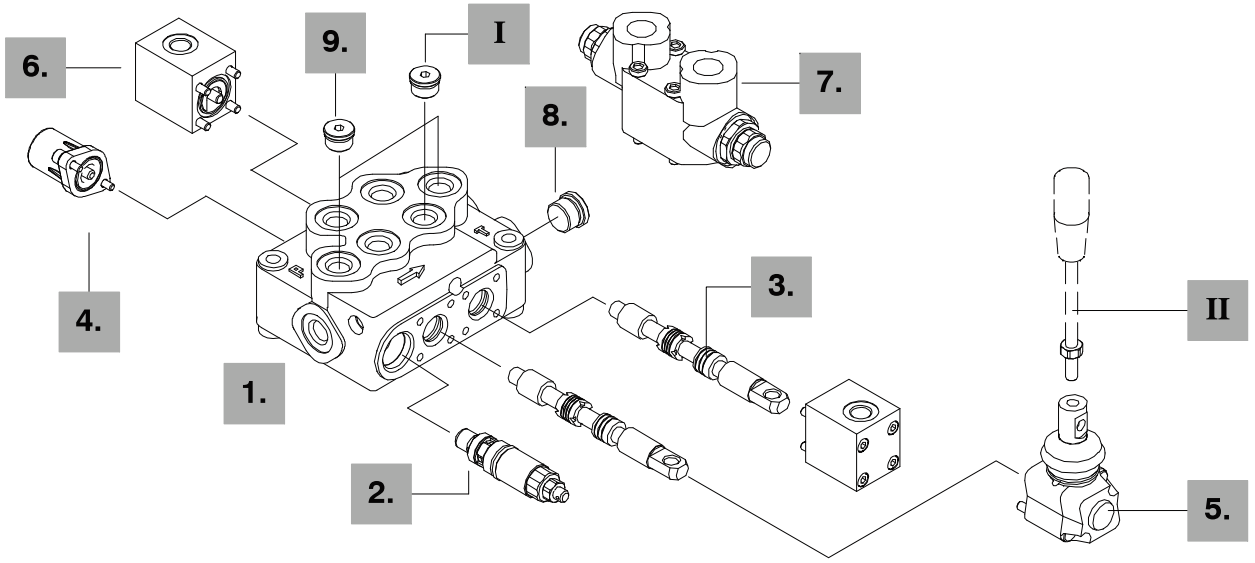
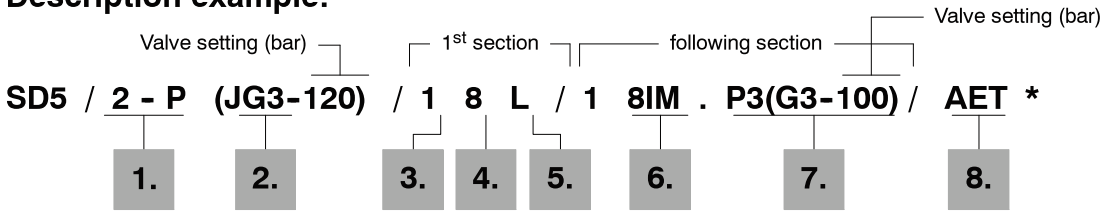
**Configuration with upper inlet and outlet**



Description example:  
SD5/2-P(JG3-120)/18L/18L/AET-PSA

**Ordering codes**

**Description example:**



**1. Body kits \***

TYPE	CODE	DESCRIPTION
1-P	5KC1193000	Parallel, 1 section
2-P	5KC1223000	Parallel, 2 sections
3-P	5KC1243000	Parallel, 3 sections
4-P	5KC1273000	Parallel, 4 sections
5-P	5KC1313000	Parallel, 5 sections
6-P	5KC1353000	Parallel, 6 sections
7-P	5KC13E3000	Parallel, 7 sections

*Include boby, seals and load check valve.*

**2. Inlet relief options page 12**

TYPE	CODE	DESCRIPTION
<u>VMD5 direct pressure relief valve type J</u>		
<i>Standard setting is referred to 10 l/min flow.</i>		
(JG2-63)	5KIT105412	Range 40 to 63 bar / 580 to 900 psi standard setting 63 bar / 900 psi
(JG3-120)	5KIT105413	Range 50 to 200 bar / 725 to 2900 psi standard setting 120 bar / 1750 psi
(JG4-220)	5KIT105414	Range 160 to 315 bar / 2300 to 4600 psi standard setting 220 bar / 3200 psi
SV	XTAP623282	Relief valve blanking plug

**3. Spool options page 13**

TYPE	CODE	DESCRIPTION
1	3CU1210130	Double acting, 3 positions, with A and B closed in neutral position
1A	3CU1221130	Double acting, 3 positions, with A open to tank in neutral position
1B	3CU1222130	Double acting, 3 positions, with B open to tank in neutral position
2	3CU1225130	Double acting, 3 positions, with A and B open to tank in neutral position
2H	3CU1225225	Double acting, 3 positions, with A e B partially open to tank in neutral position
3	3CU1231130	Single acting on A, 3 positions, B plugged requires G3/8 plug (see part I)
<u>Special spools for particular positioner kits ..... page 16</u>		
5DY	3CU1242220	Double acting, 4 positions, floating circuit in 4 <sup>th</sup> position with spool in
5PY	3CU1245620	Double acting, 4 positions, floating circuit in 4 <sup>th</sup> position with spool out, with check valve
8	3CU1262120	Double acting, 4 positions, regenerative circuit in 4 <sup>th</sup> position with spool in
<u>Special spools for standard positioner kits ..... page 19</u>		
8F	3CU1261100	Double acting, 3 positions, regenerative circuit in 2 <sup>nd</sup> position with spool out

NOTE (\*) - Codes are referred to **BSP** threads.