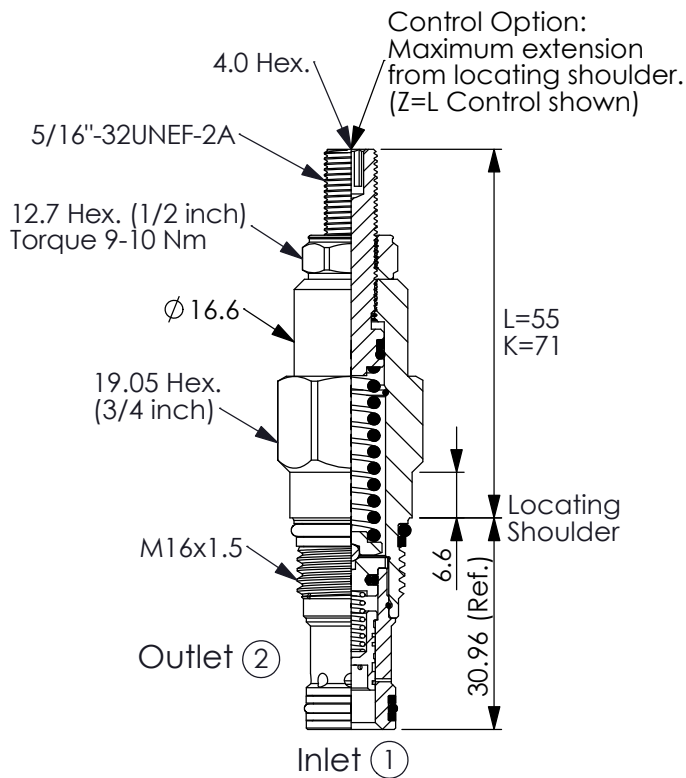
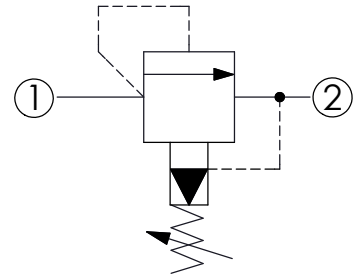


Ordering Code: **RP-162A-X-Y-Z**



UNIT:mm



TECHNICAL DATA

Max. Operating pressure: 350 bar

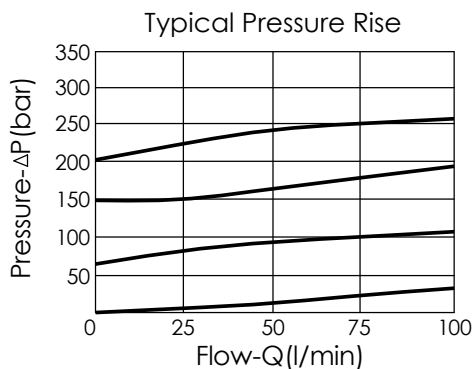
Rated flow: 45 l/min

Cavity-Tooling: 162A-2

Installation torque: 27-33 Nm

Weight: 0.10 (Z=L) kg

Will accept maximum pressure at port ②; suitable for use in cross port relief circuits. If used in cross port relief circuits, consider spool leakage.



X OPERATION

20 ① to ② (P to T)

- Response Time-Typical (10 ms)
- Maximum Leakage Approximately (30 cc/min./70 bar)

Y

SPRINGS

ADJUSTMENT RANGES

A	5-210 bar (70 bar Standard Setting)
B	5-105 bar (70 bar Standard Setting)
C	5-420 bar (70 bar Standard Setting)
N	5-55 bar (28 bar Standard Setting)
Q	5-28 bar (14 bar Standard Setting)
W	5-315 bar (70 bar Standard Setting)

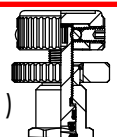
Z

OPTIONS

L Leakproof hex. socket screw.



K Handknob with Lock Knob. (Order Code: 7ZAK001)



C Stainless Steel Tamper Resistant Cover.

