

Ordering Code: **RP-3A-X-Y-Z**

Control Option:
Maximum extension
from locating shoulder.
(Z=L Control shown)

4.0 Hex.

3/8"-24UNF-2A

14.27 Hex. (9/16 inch)
Torque 9-10 Nm
Apply CH (5JAA097)
Plastic tamper
resistant cover

Ø25

28.57 Hex.
(1-1/8 inch)

1.0"-14UNS-2A

Outlet ②

Inlet ①

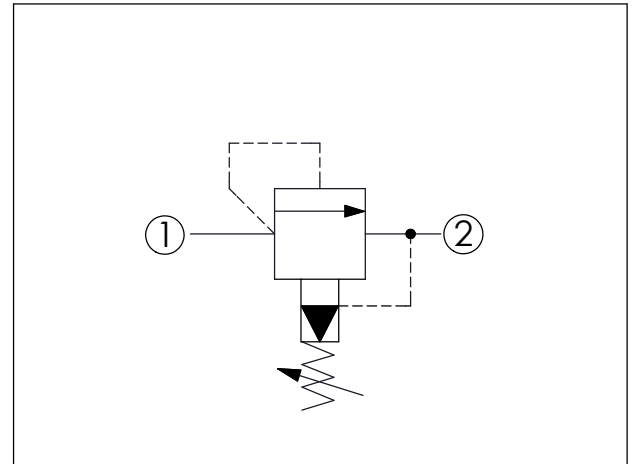
L=54
K=61

4.7

47.82 (Ref.)

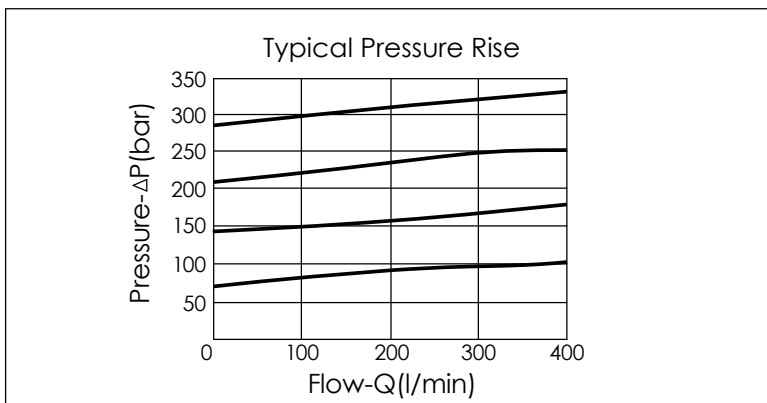
Locating
Shoulder

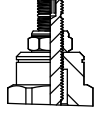
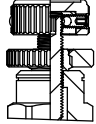
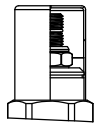
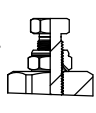
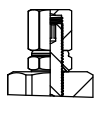
UNIT:mm



TECHNICAL DATA	
Max. Operating pressure:	350 bar
Rated flow:	200 l/min
Cavity-Tooling:	3A-2
Installation torque:	60-70 Nm
Weight:	0.25 (Z=L) 0.20 (Z=G) kg
Will accept maximum pressure at port ②; suitable for use in cross port relief circuits. If used in cross port relief circuits, consider spool leakage.	

X	OPERATION
20	① to ② (P to T)
<ul style="list-style-type: none"> Response Time-Typical (10 ms) Maximum Leakage Approximately (50 cc/min./70 bar) 	



Z	OPTIONS
L	Leakproof hex. socket screw. 
K	Handknob with Lock Knob. (Order Code: 6ZAK001) 
C	Stainless Steel Tamper Resistant Cover. 
G	Wrench Adjustment 
GA	Socket Head Set Screw with Cap 

Y	SPRINGS	
	ADJUSTMENT RANGES	
A	7-210 bar	(70 bar Standard Setting)
B	3.5-105 bar	(70 bar Standard Setting)
C	10.5-420 bar	(70 bar Standard Setting)
D	1.7-55 bar	(28 bar Standard Setting)
E	1.7-28 bar	(14 bar Standard Setting)
N	4-55 bar	(28 bar Standard Setting)
Q	4-28 bar	(14 bar Standard Setting)
W	10.5-315 bar	(70 bar Standard Setting)