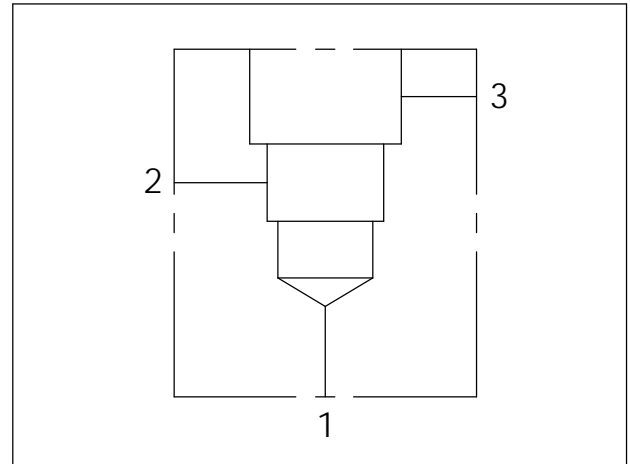
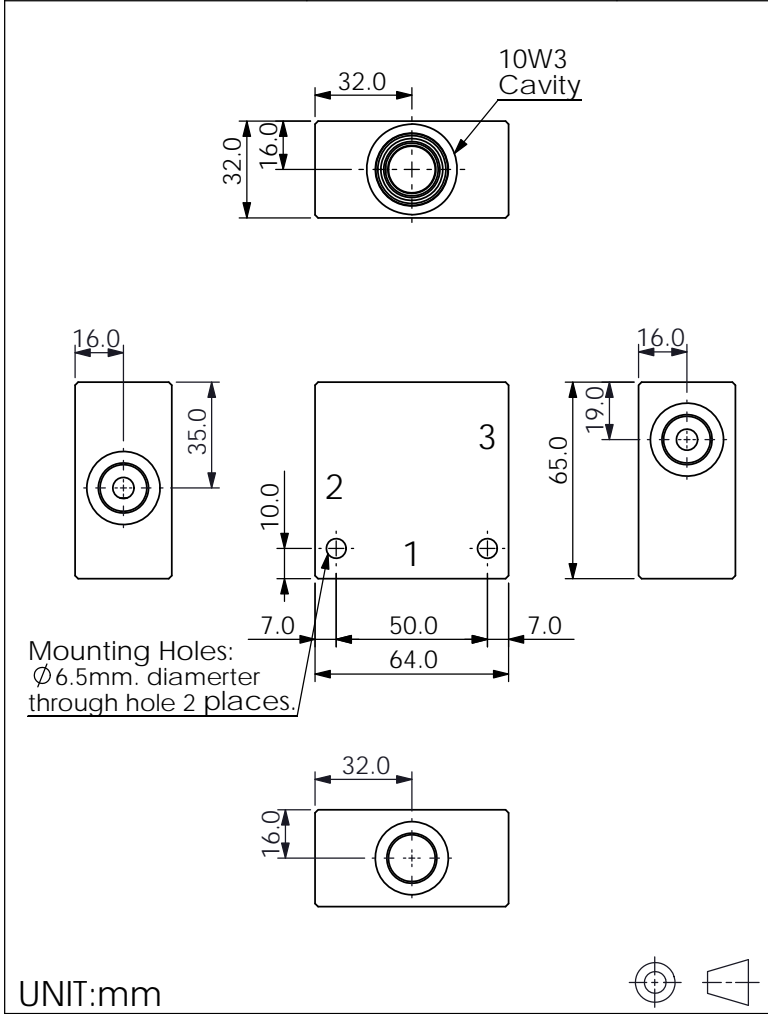


Ordering Code: **ML-10W3-X-Y 01-Z**



TECHNICAL DATA

Aluminum Body Pressure Rating: 210 bar
Ductile Iron Body Pressure Rating: 350 bar

Cavity:

Refer to 10W3

* Refer to Winner Cartridge Valve Catalog.

Aluminum	0.3 kg(WITHOUT VALVES)
Ductile Iron	0.92 kg(WITHOUT VALVES)

* If you need the special specification. Please contact us.



X	PORT SIZE		
	PORTS	PORT	
	1,2	3	
G03	G 3/8"	G 3/8"	
P03	3/8" PT	3/8" PT	
S06	SAE 6	SAE 6	

Y	BODY MATERIAL	
A	HIGH-STRENGTH ALUMINUM	
S	DUCTILE IRON	

Z	CARTRIDGE VALVES SELECTION	
	WITHOUT VALVE	
FR1L	FR10W31NL(13LPM,240bar)	
FR3L	FR10W33NL(38LPM,240bar)	

The selection is only example. Please refer to Winner Cartridge Program and to select the appropriate valves and manifolds assembly in accordance with request function (flow 、 pressure 、 ... etc.)