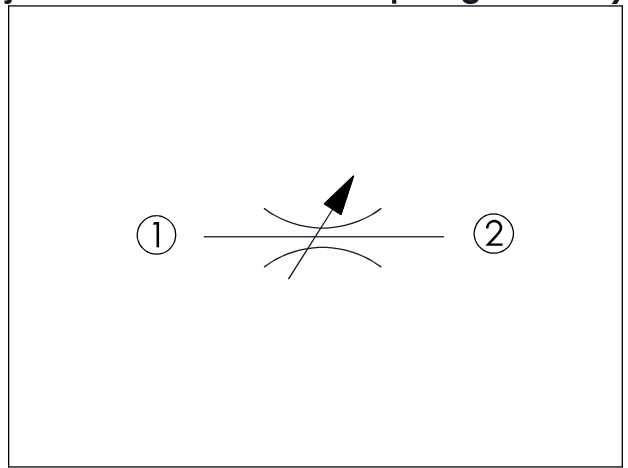
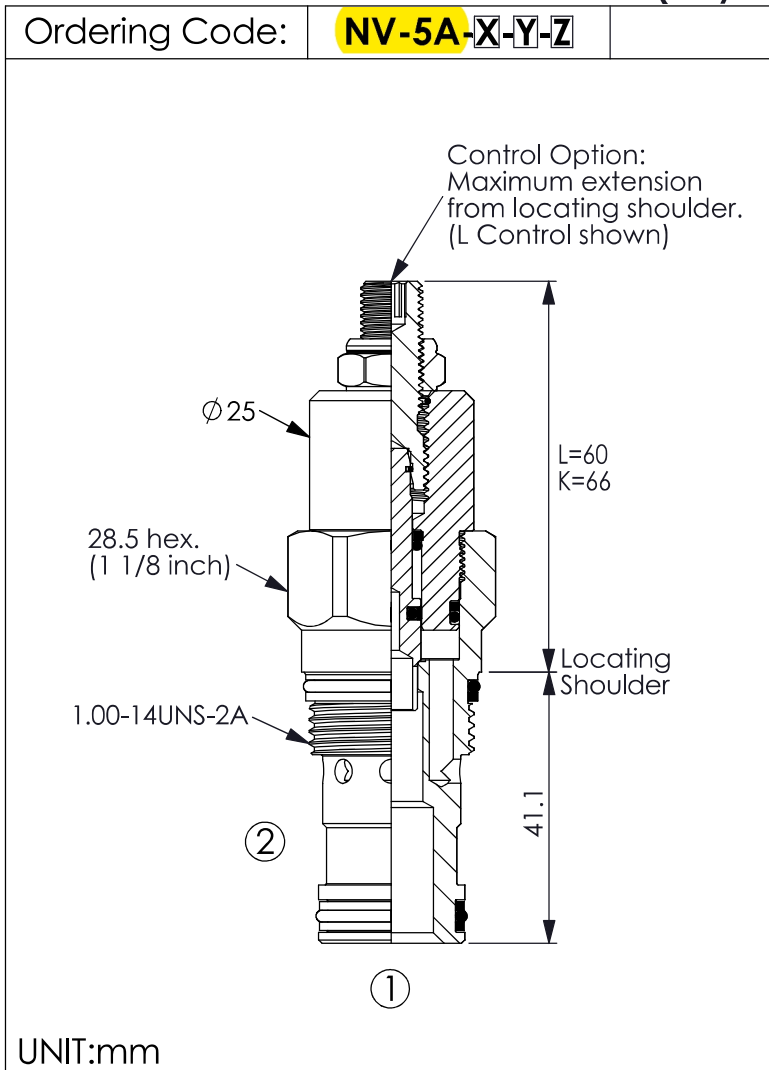


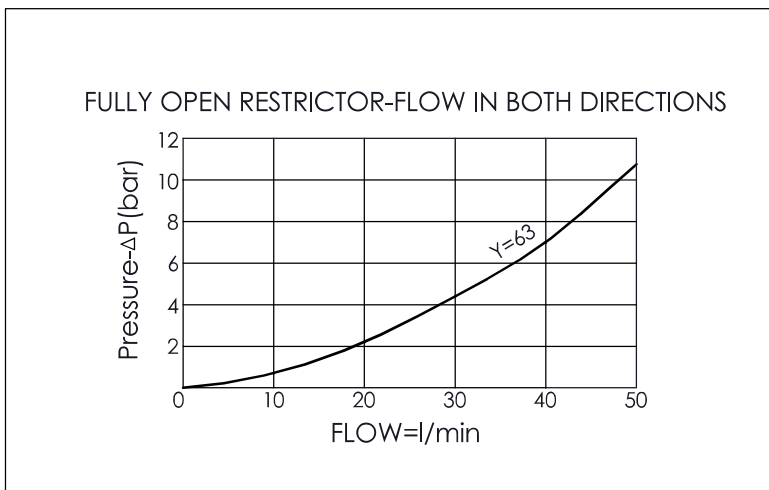
## FLOW CONTROL VALVE

(Fully Adjustable Needle with Sharp-Edge Orifice)



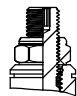
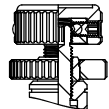
### TECHNICAL DATA

Max. operating pressure:	350	bar
Rated Flow:	50	l/min
	See Performance Chart	
Cavity-Tooling:	5A-2	
Installation torque:	60-70	Nm
Weight:	0.26 (Z:L)	kg



X	OPERATION
<b>20</b>	Fully Adjustable Needle with Sharp-Edge Orifice

Y	MAXIMUM NOMINAL ORIFICE DIAMETER
<b>33</b>	Ø 3.3 mm
<b>63</b>	Ø 6.3 mm

Z	OPTIONS
<b>L</b>	Leakproof hex. socket screw. 
<b>K</b>	Handknob with Lock Knob. 
<b>T</b>	Three-winged Handknob Kit. 