

Technical Information

CV

Check
Valves

SH

Shuttle
Valves

LM

Load/Motor
Controls

FC

Flow
Controls

PC

Pressure
Controls

LE

Logic
Elements

DC

Directional
Controls

MV

Manual
Valves

SV

Solenoid
Valves

PV

Proportional
Valves

CE

Coils &
Electronics

BC

Bodies &
Cavities

TD

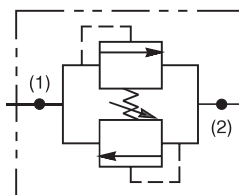
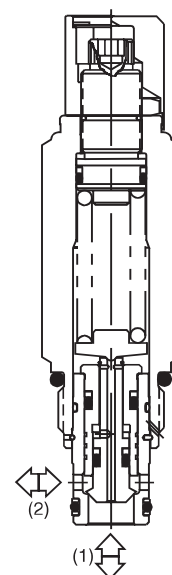
Technical
Data

General Description

Dual Cross-Over Relief Valve in a single cartridge. For additional information see Technical Tips on pages PC1-PC6.

Features

- Fast response
- Compact size for reduced space requirements
- Low leakage design
- Single cartridge reduces plumbing, component and manifold costs

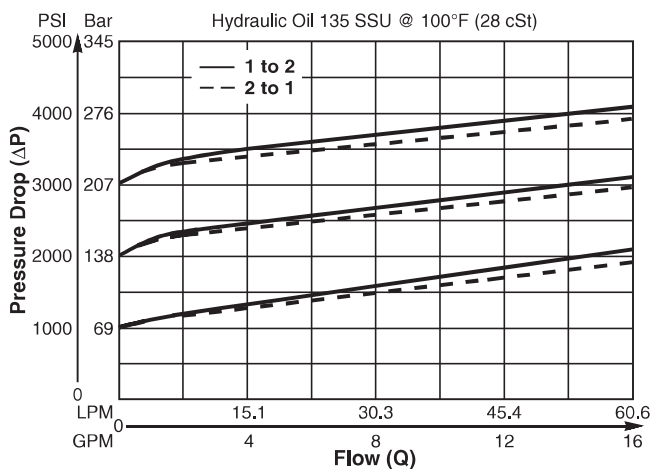


Specifications

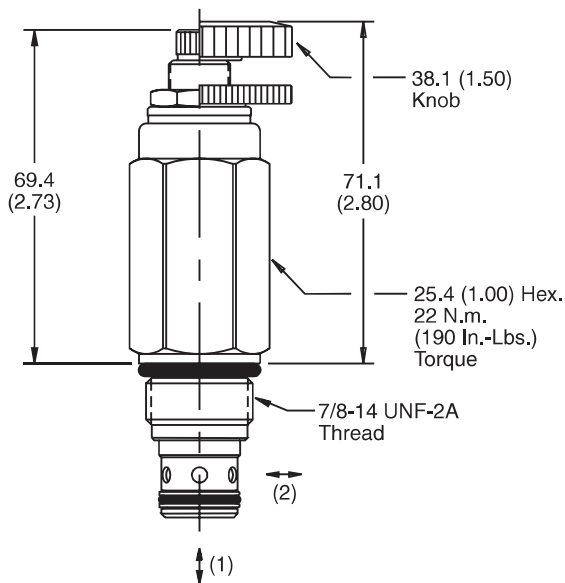
Flow Rate	60.6 LPM (16 GPM)
Maximum Inlet Pressure	245 Bar (3500 PSI)
Maximum Pressure Setting	210 Bar (3000 PSI)
Reseat Pressure	80% of crack pressure
Leakage at 150 SSU (32 cSt)	10 drops/min. (.66 cc/min.) @ 75% of crack pressure
Cartridge Material	All parts steel. All operating parts hardened steel.
Operating Temp. Range (Ambient)	-40°C to +93.3°C (Nitrile) (-40°F to +200°F) -31.7°C to +121.1°C (Fluorocarbon) (-25°F to +250°F)
Filtration	ISO Code 16/13, SAE Class 4 or better
Fluids	Mineral-based or synthetic with lubricating properties at viscosities of 45 to 2000 SSU (6 to 420 cSt)
Approx. Weight	.26 kg (.58 lbs.)
Cavity	C10-2
Form Tool	Rougher None Finisher NFT10-2F

Performance Curve

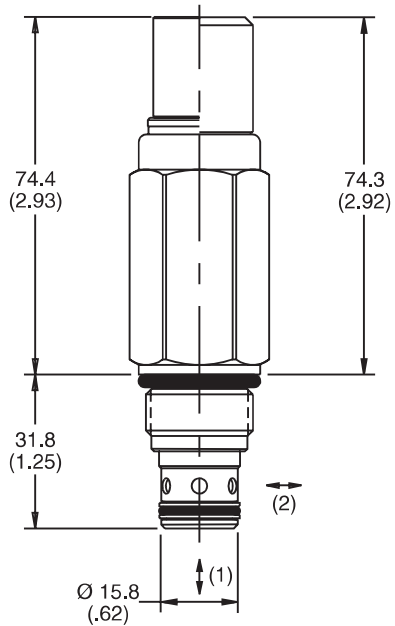
Flow vs. Inlet Pressure
(Pressure rise through cartridge only)



Dimensions Millimeters (Inches)



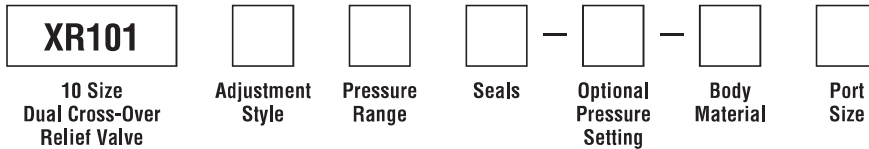
Screw/Knob Version



Fixed Cap/Tamper Resistant Version



Ordering Information



Code	Adjustment Style / Kit No.
F	Fixed style, preset at factory.
K	Knob Adjust (717784-15)
S	Screw Adjust
T	Tamper Resistant Cap (717785)

Code	Seals / Kit No.
Omit	Nitrile / (SK10-2N)
V	Fluorocarbon / (SK10-2V)

Code	Body Material
Omit	Steel
A	Aluminum

Code	Pressure Range
20	6.9 - 138 Bar (100 - 2000 PSI) Standard Setting: 69 Bar (1000 PSI) @ 11.3 LPM (3 GPM)
30	103 - 207 Bar (1500 - 3000 PSI) Standard Setting: 172 Bar (2500 PSI) @ 11.3 LPM (3 GPM)

Optional Pressure Setting
Pressure \pm 10 i.e. 235 = 2350 PSI (Omit if standard setting is used) Setting Range: 100 to 3000 PSI All settings at 11.3 LPM (3 GPM)

Code	Port Size	Body Part No.
Omit	Cartridge Only	
8P	1/2" NPTF	(B10-2-*8P)
6T	SAE-6	(B10-2-*6T)
8T	SAE-8	(B10-2-*8T)

* Add "A" for aluminum, omit for steel.