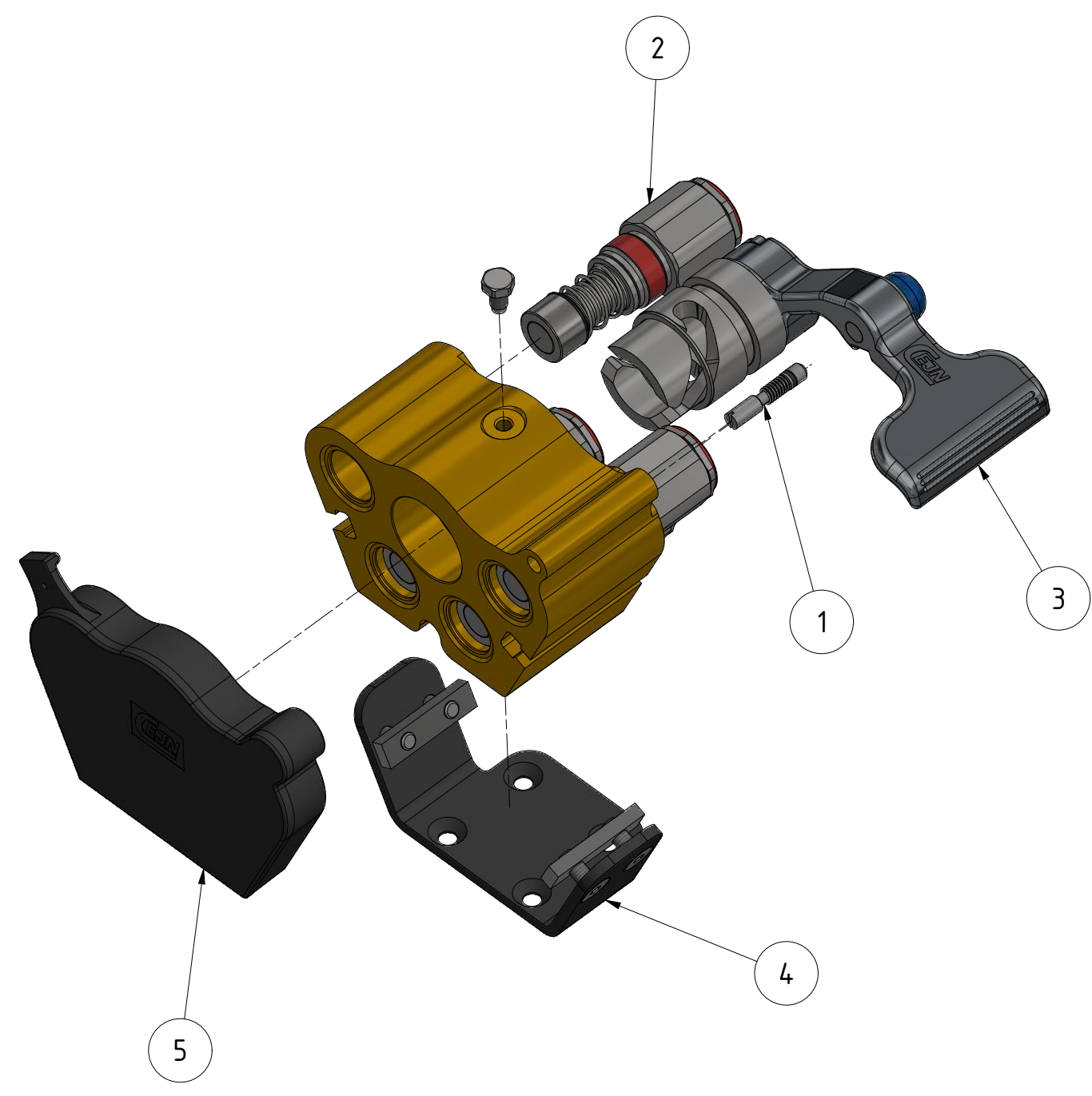
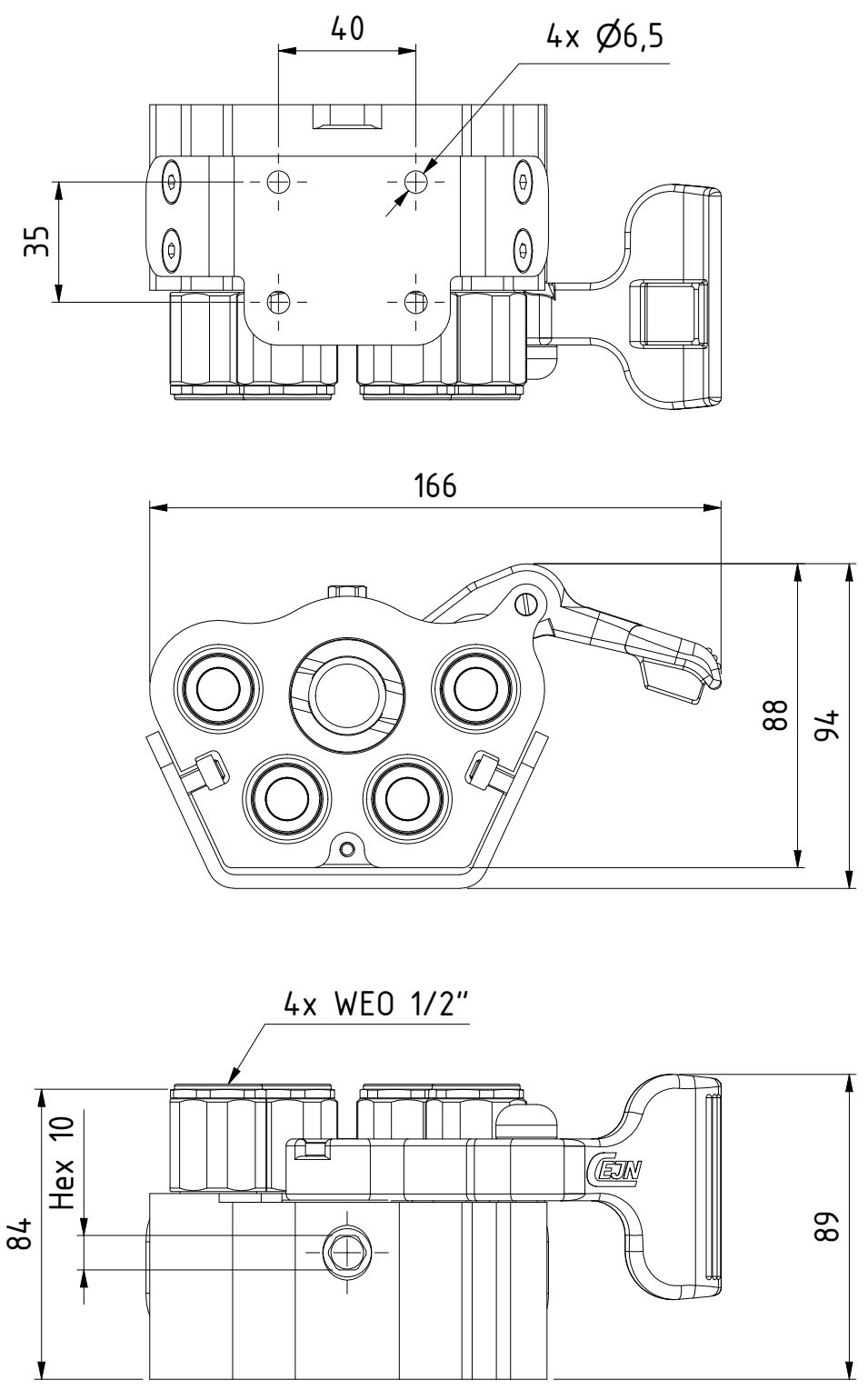


This document must not be copied, either completely or in part, without permission. Any infringement will have legal consequences ©



Product No.	109323100
Nominal flow \varnothing DN:	10 mm
Connection Stroke:	mm
Max WP Connected:	350 bar
Max WP Disconnected:	350 bar
Min BP Connected:	1200 bar
Min BP Disconnected:	1200 bar
Temperature range:	-30°C - 100°C
Connection:	WEO 1/2" (DN12.5)
Sealing material:	NBR
Hexagon:	

Item	Qty	Description	Material	Part Number
5	1	Dust Cap		109321001
4	1	Kit Mounting Br.	Steel	109324932
3	1	Lever assembly (DN10)		109324950
2	4	Coupling DN10 - WEO DN12.5		103651909
1	1	Lock in house Kit		109324992

Scale	1 : 2	Drawn	EP	Checked	JoEr	Appr.	PMB	ECO	12493	Date	2019-05-27		
Assembly Drawing 509323100										Issue	AA	Sheet	1 / (1)

A3