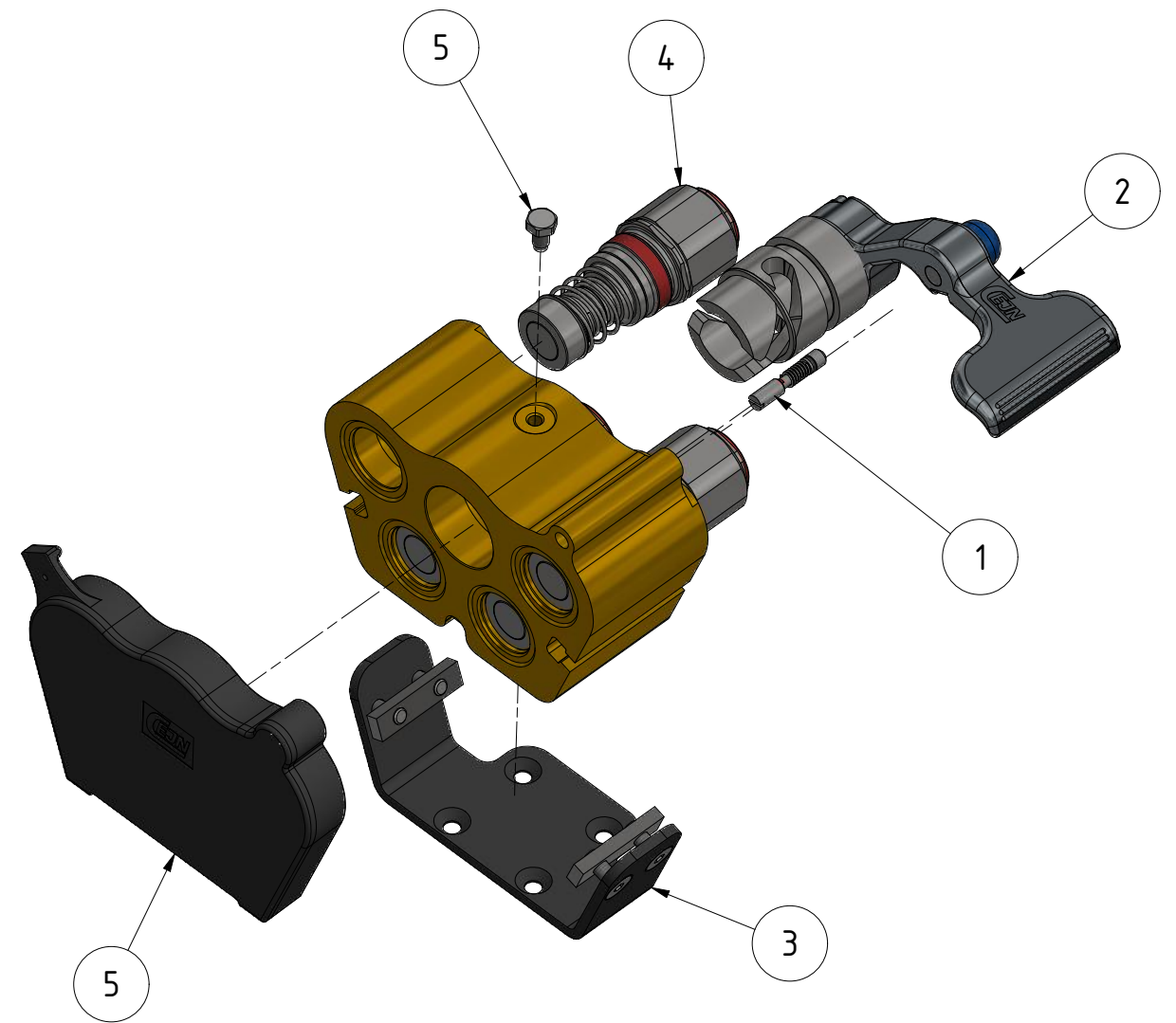
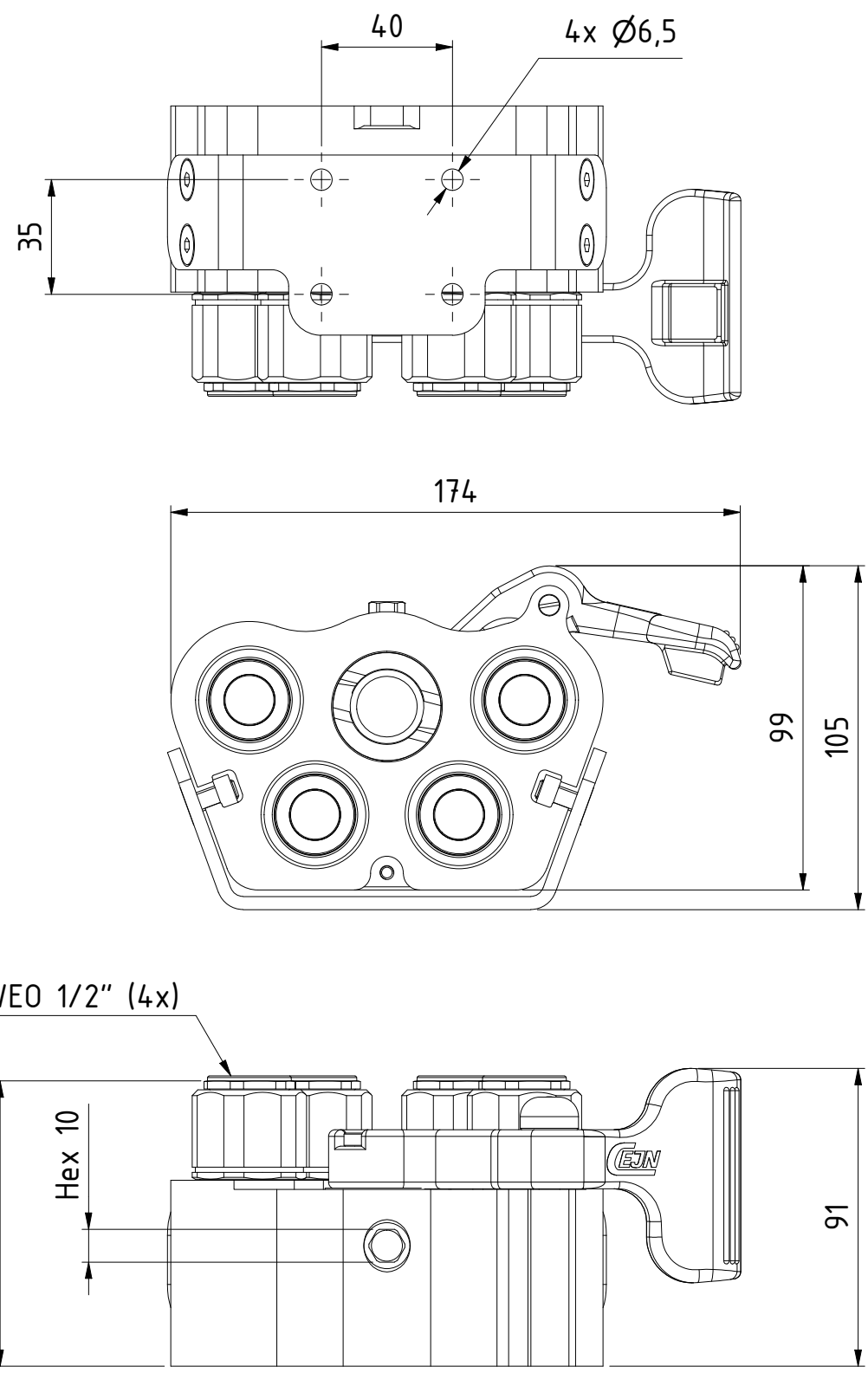



This document must not be copied, either completely or in part, without permission. Any infringement will have legal consequences ©



Product No.	109324101
Nominal flow $\varnothing$ DN:	12.5 mm
Connection Stroke:	mm
Max WP Connected:	350 bar
Max WP Disconnected:	350 bar
Min BP Connected:	1200 bar
Min BP Disconnected:	1200 bar
Temperature range:	-30°C - 100°C
Connection:	1/2" WEO, female
Sealing material:	NBR
Hexagon:	

Item	Qty	Description	Material	Part Number
5	1	Dust Cap		109321007
4	4	Coupling DN12.5 - WEO DN12.5		105651909
3	1	Kit Mounting Br.	Steel	109324936
2	1	Lever assembly (DN12)		109324951
1	1	Lock in house Kit		109324992

Scale	1 : 2	Drawn	EP	Checked	JoEr	Appr.	PMB	ECO	12493	Date	2019-06-13		
 <b>Assembly Drawing 509324101</b>										Issue	AA	Sheet	1 / (1)

A3