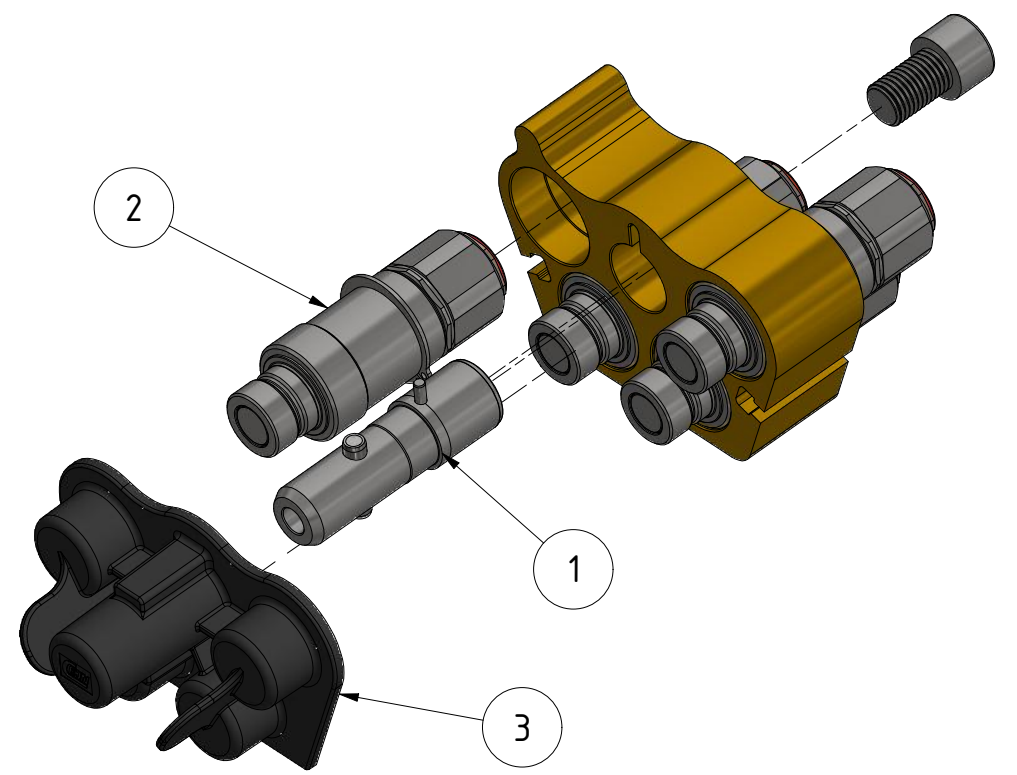
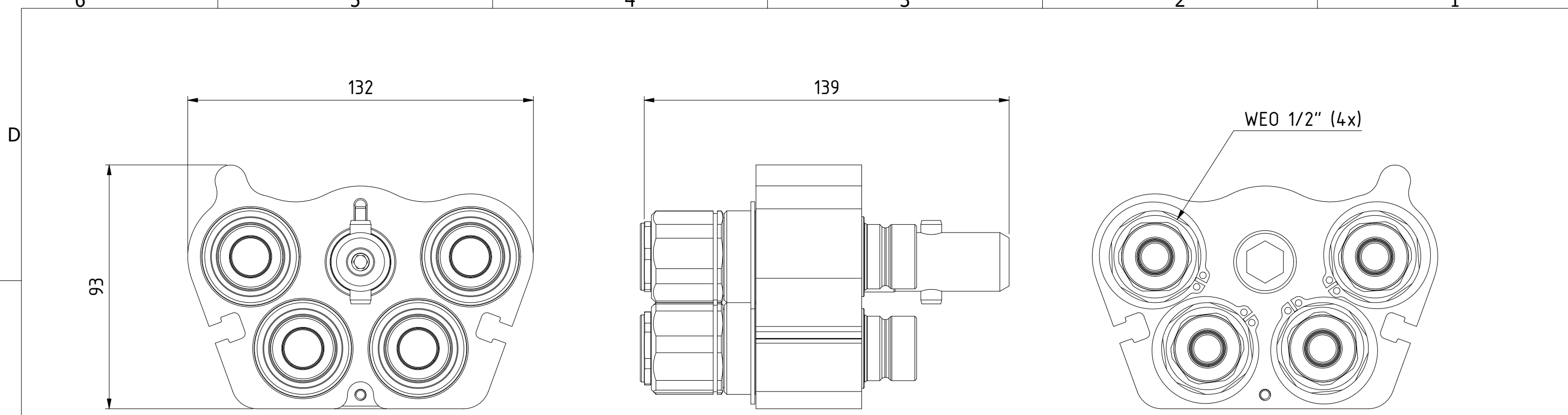


This document must not be copied, either completely or in part, without permission. Any infringement will have legal consequences ©



Product No. 109324151	
Nominal flow \varnothing DN:	12.5 mm
Connection Stroke:	- mm
Max WP Connected:	350 bar
Max WP Disconnected:	350 bar
Min BP Connected:	1200 bar
Min BP Disconnected:	1200 bar
Temperature range:	-30°C - 100°C
Connection:	WEO 1/2" (DN12.5)
Sealing material:	NBR/PUR
Hexagon:	-

3	1	Dust Cap		109321053
2	4	Nipple Kit DN12,5		105646909
1	1	Center Bolt Asse.		109324972
Item	Qty	Description	Material	Part Number
		Scale: 2 : 3	Drawn: EP	Checked: JoEr
		Appr.: PMB		ECO: 12493
		Date: 2019-06-13		Issue: AA
		Drawing No. 509324151		Sheet: 1 / (1)

