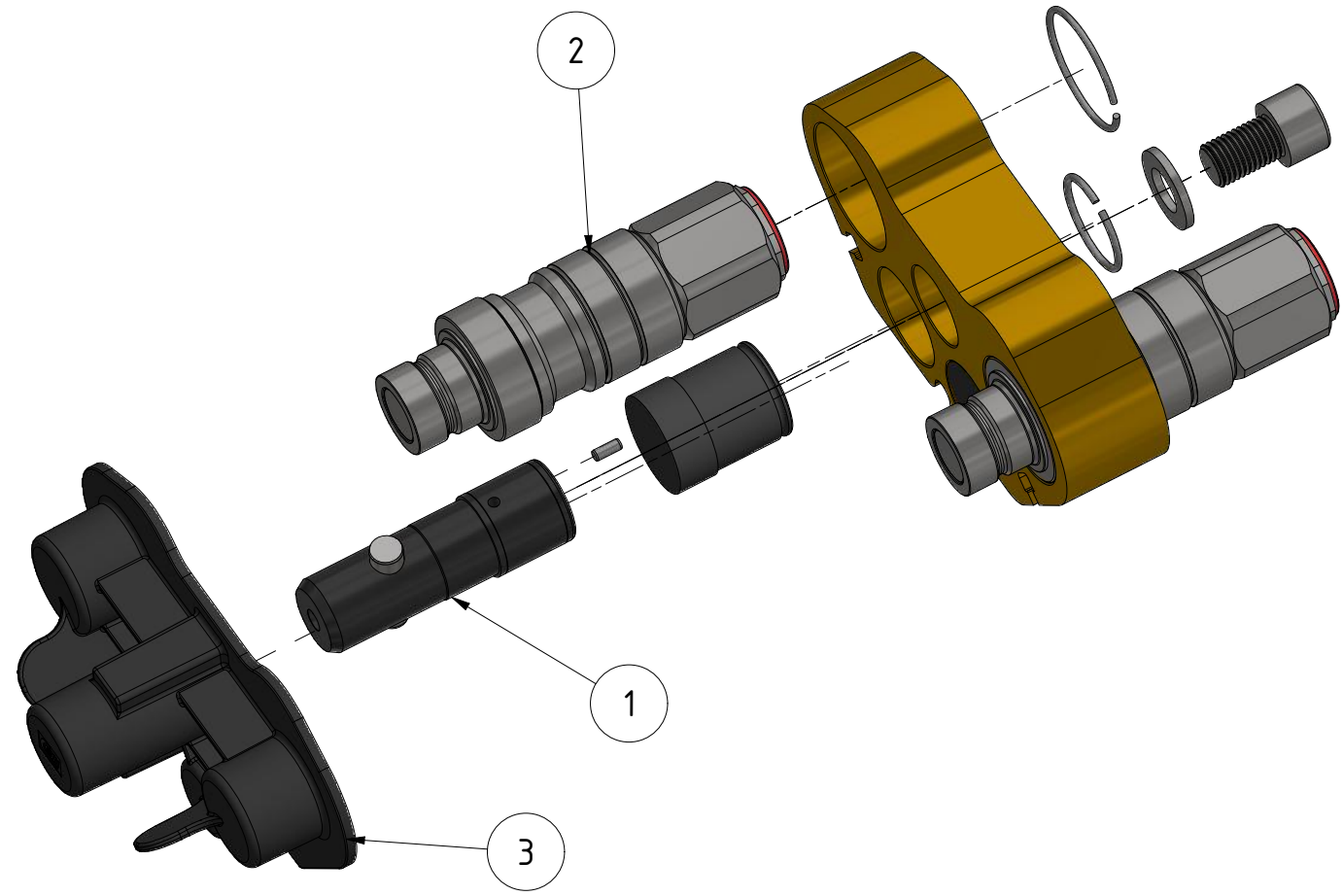
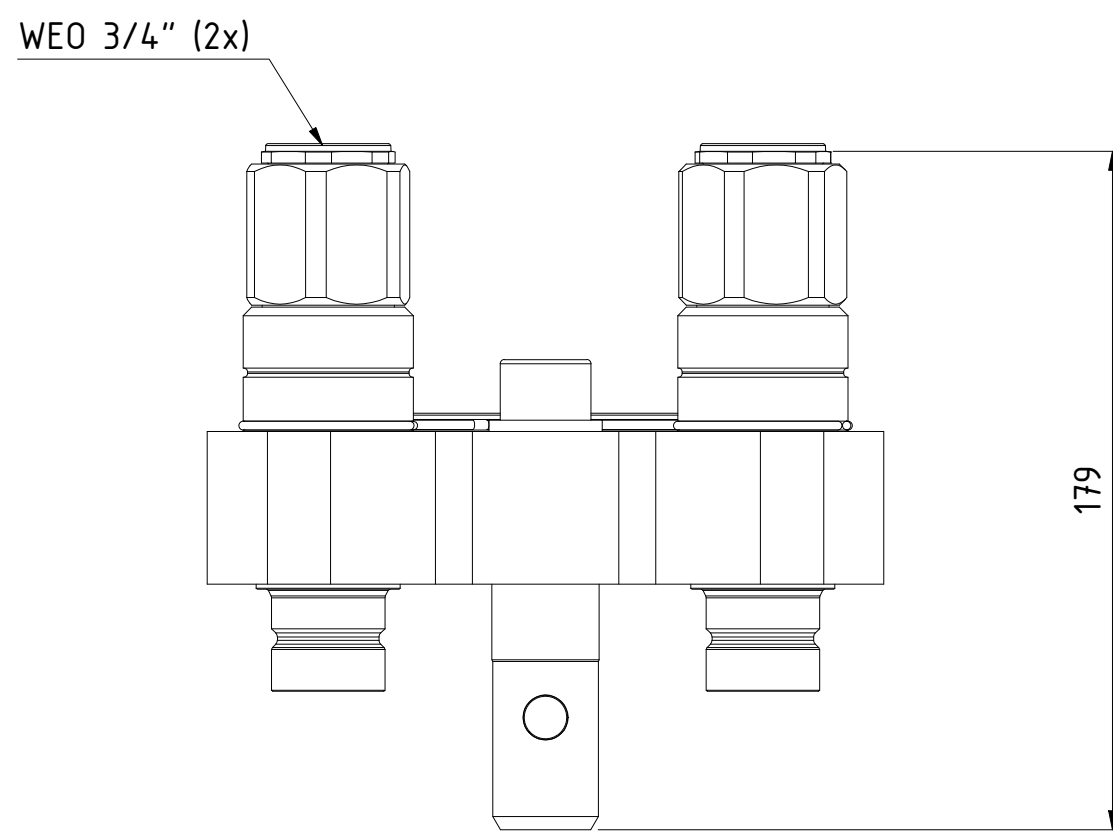
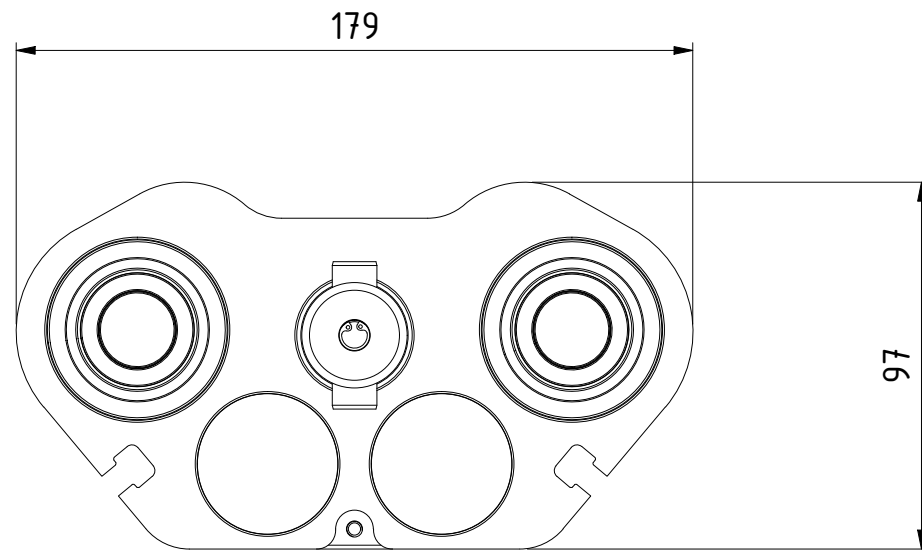



This document must not be copied, either completely or in part, without permission. Any infringement will have legal consequences ©

A3



Product No.	109325152
Nominal flow \varnothing DN:	19 mm
Connection Stroke:	- mm
Max WP Connected:	350 bar
Max WP Disconnected:	- bar
Min BP Connected:	1200 bar
Min BP Disconnected:	- bar
Temperature range:	-30°C - +100°C
Connection:	WEO 3/4"
Sealing material:	NBR/PUR
Hexagon:	

Item	Qty	Description	Material	Part Number
3	1	Dust Cap		109321055
2	2	Nipple kit DN19		107646909
1	1	Center bolt kit		109324954

Scale	1 : 2	Drawn	EP	Checked	JoEr	Appr.	PMB	ECO	12493	Date	2019-06-13		
 Assembly Drawing 509325152										Issue	AA	Sheet	1 / (1)