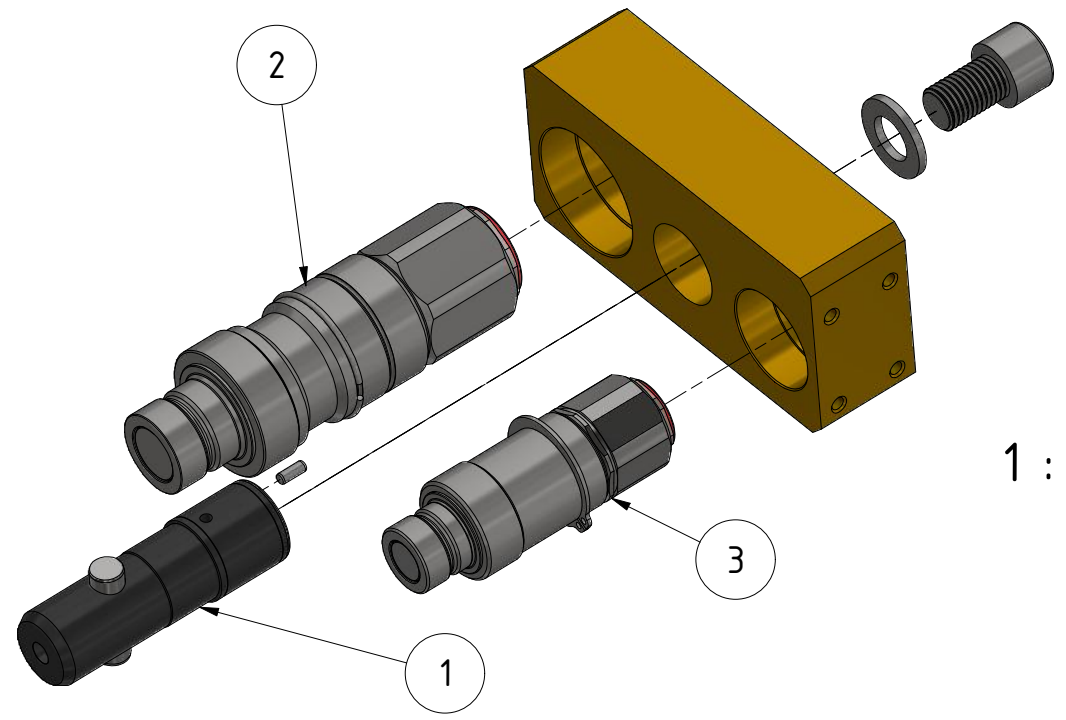
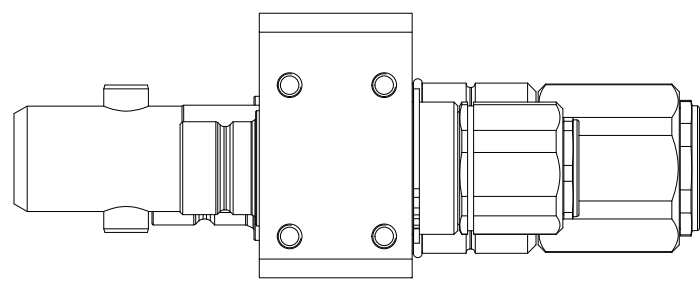
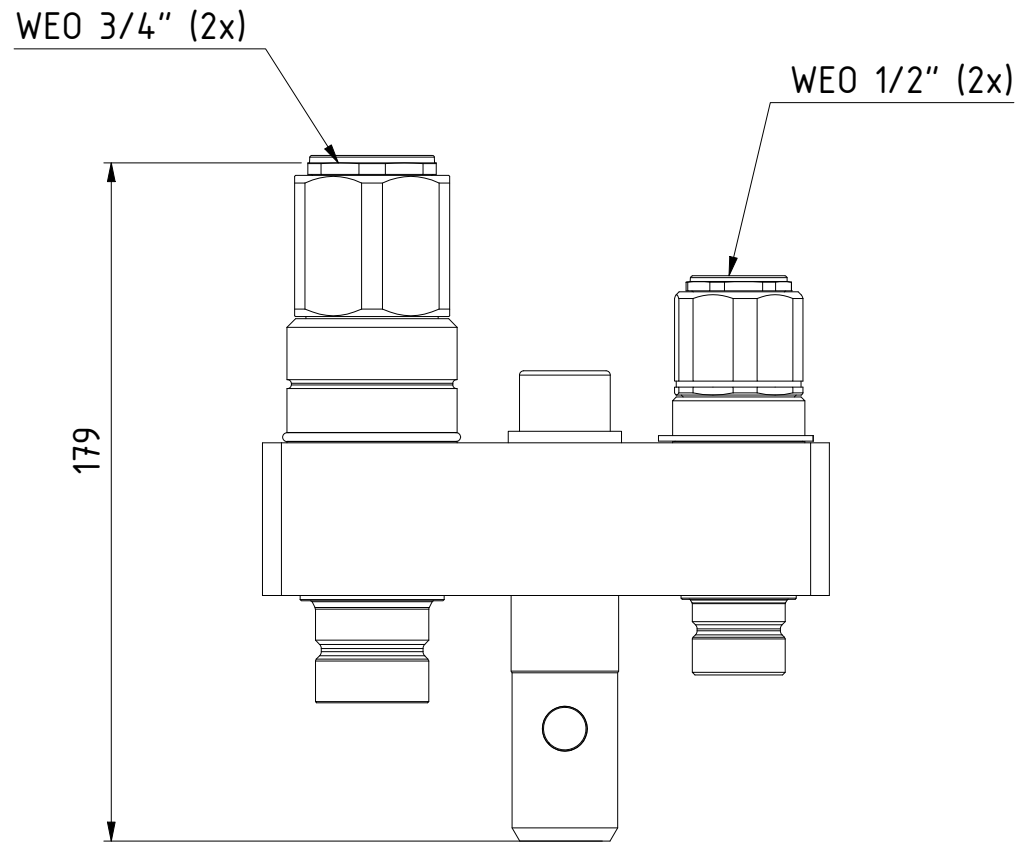
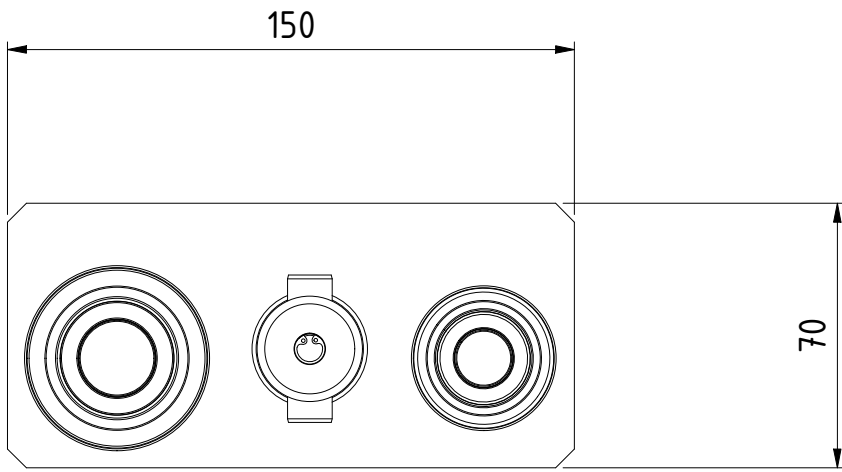


This document must not be copied, either completely or in part, without permission. Any infringement will have legal consequences ©

A3



Product No.	109326150
Nominal flow \varnothing DN:	12,5/19 mm
Connection Stroke:	- mm
Max WP Connected:	350 bar
Max WP Disconnected:	350 bar
Min BP Connected:	1200 bar
Min BP Disconnected:	1200 bar
Temperature range:	-30°C - 100°C
Connection:	WEO 1/2" + 3/4"
Sealing material:	NBR/PUR
Hexagon:	

Item	Qty	Description	Material	Part Number
3	1	Nipple Kit DN12,5		105646909
2	1	Nipple kit DN19		107646909
1	1	Center bolt kit		109324954

Scale	1 : 2	Drawn	JOER	Checked	MBA	Appr.	PMB	ECO	000579	Date	2020-04-01		
Assembly Drawing 509326150										Issue	AA	Sheet	1 / (1)