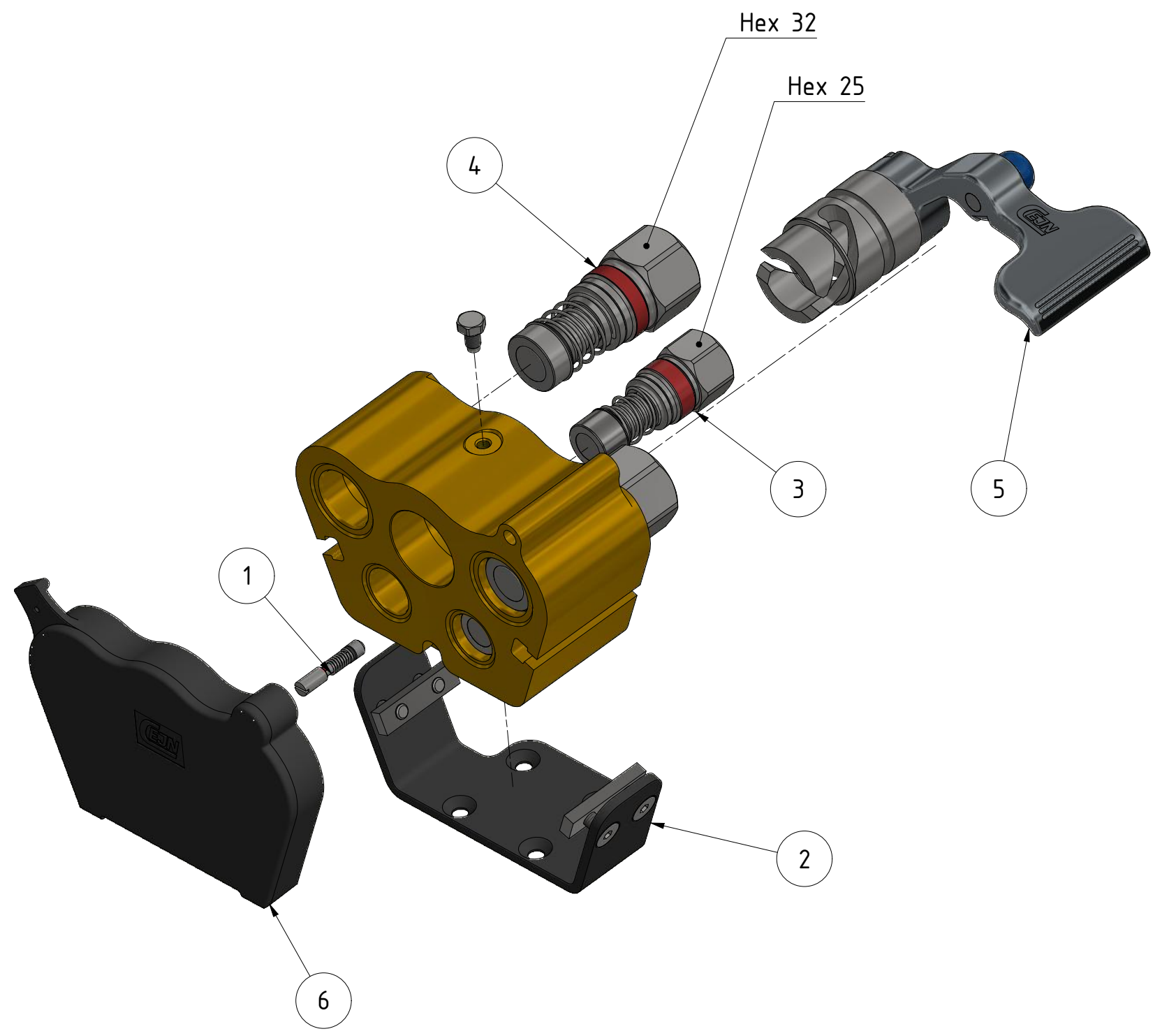
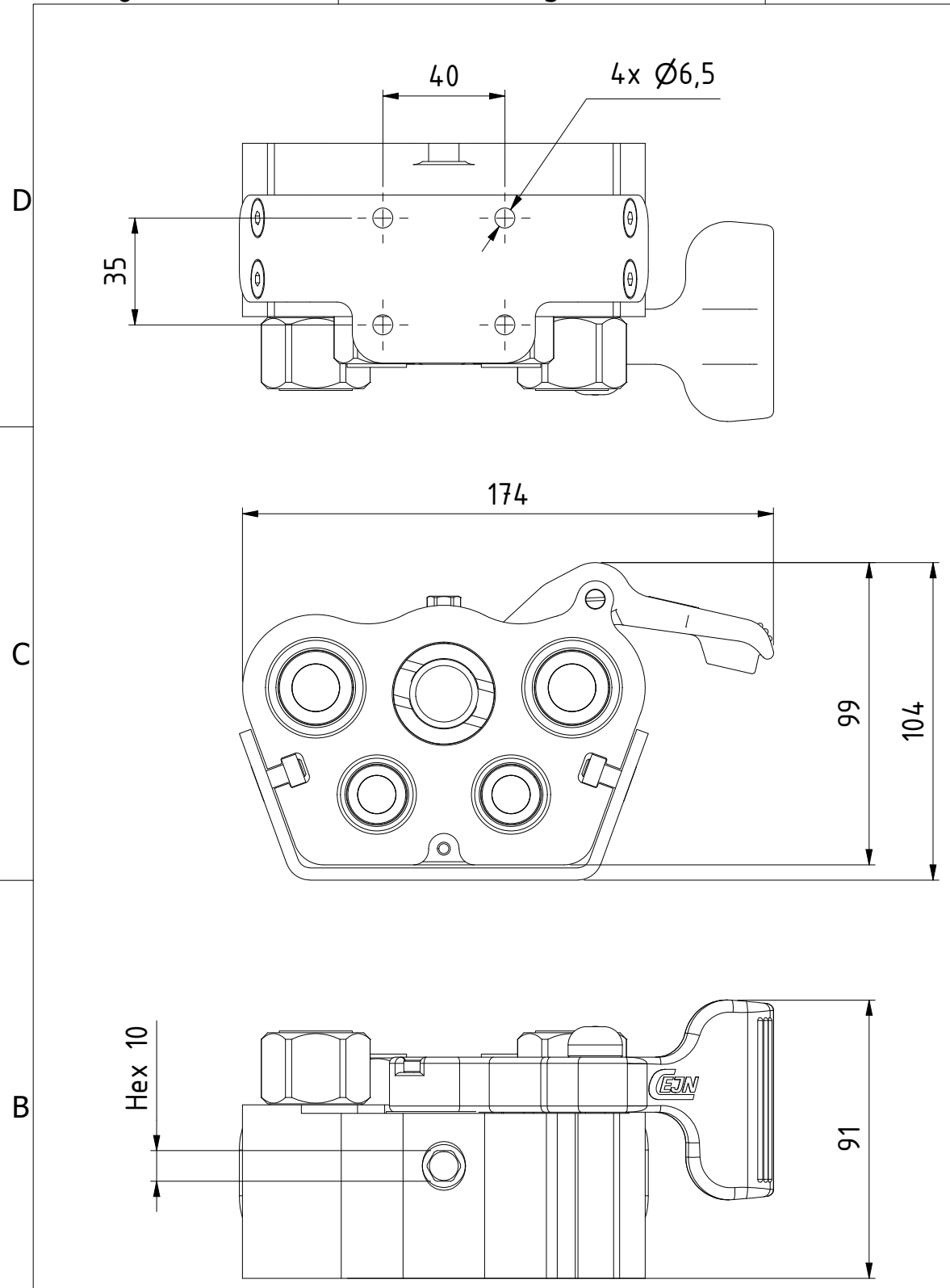


This document must not be copied, either completely or in part, without permission. Any infringement will have legal consequences ©



Product No.	109324200
Nominal flow Ø DN:	10/12.5 mm
Connection Stroke:	
Max WP Connected:	350 bar
Max WP Disconnected:	350 bar
Min BP Connected:	1200 bar
Min BP Disconnected:	1200 bar
Temperature range:	-30°C - 100°C
Connection:	BSP 3/8" and 1/2" Fem.
Sealing material:	NBR
Hexagon:	

Item	Qty	Description	Material	Part Number
6	1	Dust Cap		109321007
5	1	Lever assembly (DN12)		109324951
4	2	Coupling DN12.5 insert		105651908
3	2	Coupling DN10 insert		103651908
2	1	Kit Mounting Br.	Steel	109324936
1	1	Lock in house Kit		109324992

Scale	1 : 2	Drawn	EP	Checked	JoEr	Appr.	PMB	ECO	12400	Date	2019-02-28		
<b>Assembly Drawing 509324200</b>										Issue	AE	Sheet	1 / (1 )

A3