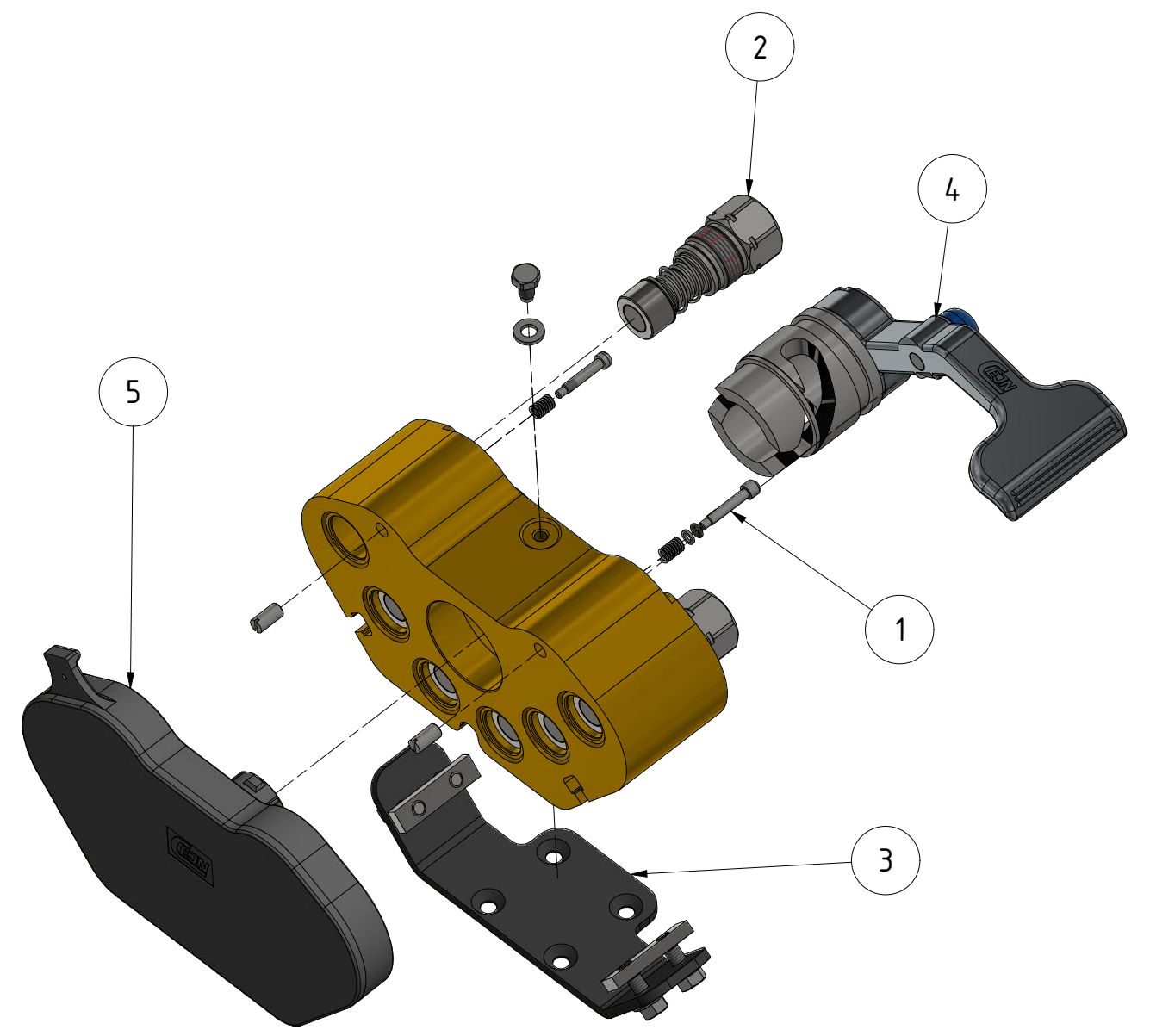
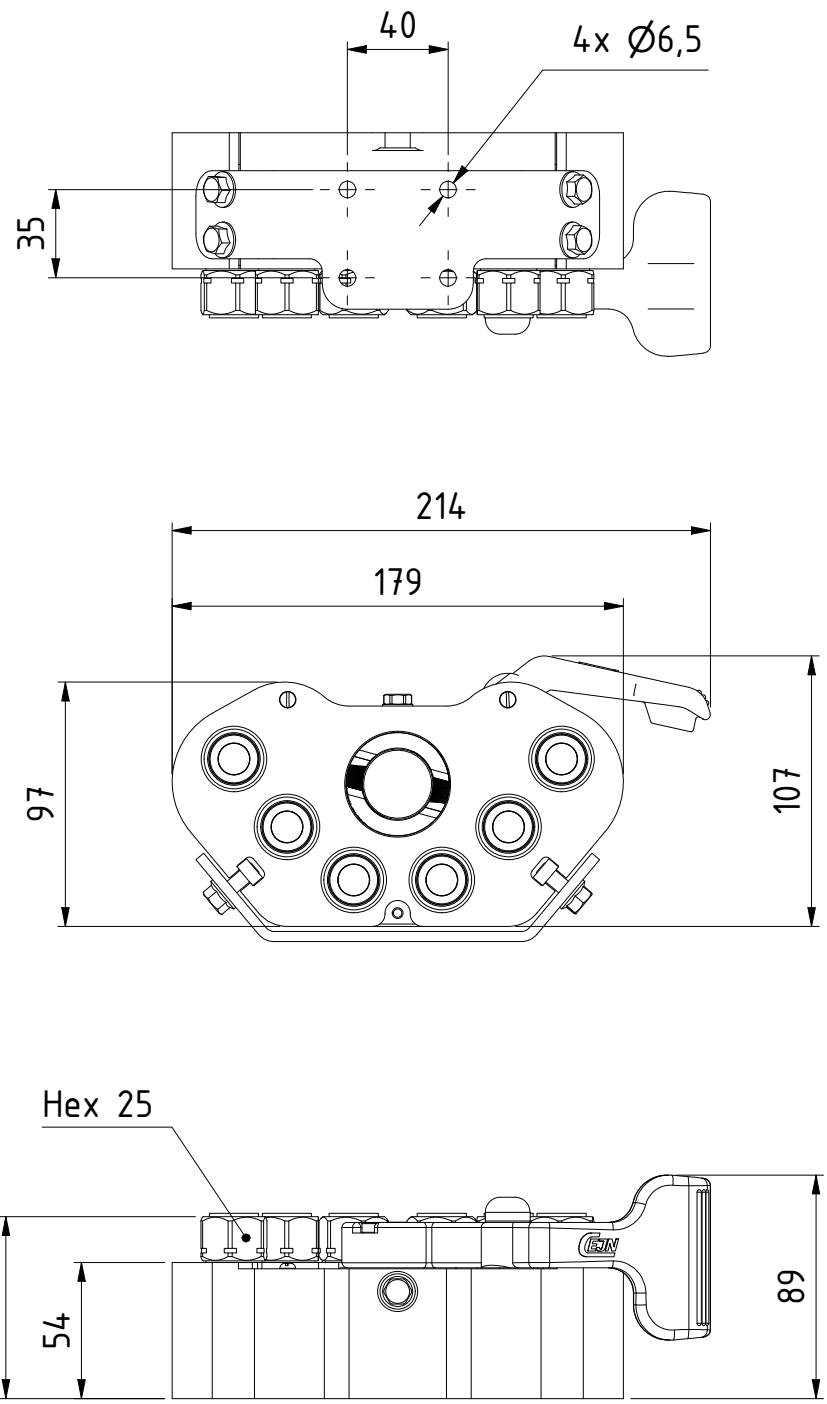


This document must not be copied, either completely or in part, without permission. Any infringement will have legal consequences ©



Product No.	109325206
Nominal flow \varnothing DN:	10 mm
Connection Stroke:	
Max WP Connected:	350 bar
Max WP Disconnected:	350 bar
Min BP Connected:	1200 bar
Min BP Disconnected:	1200 bar
Temperature range:	-30°C - +100°C
Connection:	BSP 3/8"
Sealing material:	NBR
Hexagon:	

Item	Qty	Description	Material	Part Number
5	1	Dust Cap		109321006
4	1	Lever assem. Hexa DN10		109324953
3	1	Kit Mounting Br.	Steel	109324938
2	6	Coupling DN10 insert		103651908
1	1	Lock in house Kit		109324992

Scale	1 : 3	Drawn	EP	Checked	JoEr	Appr.	PMB	ECO	12400	Date	2019-02-28
Assembly Drawing 509325206										Drawing No.	509325206
										Issue	AC
										Sheet	1 / (1)

A3