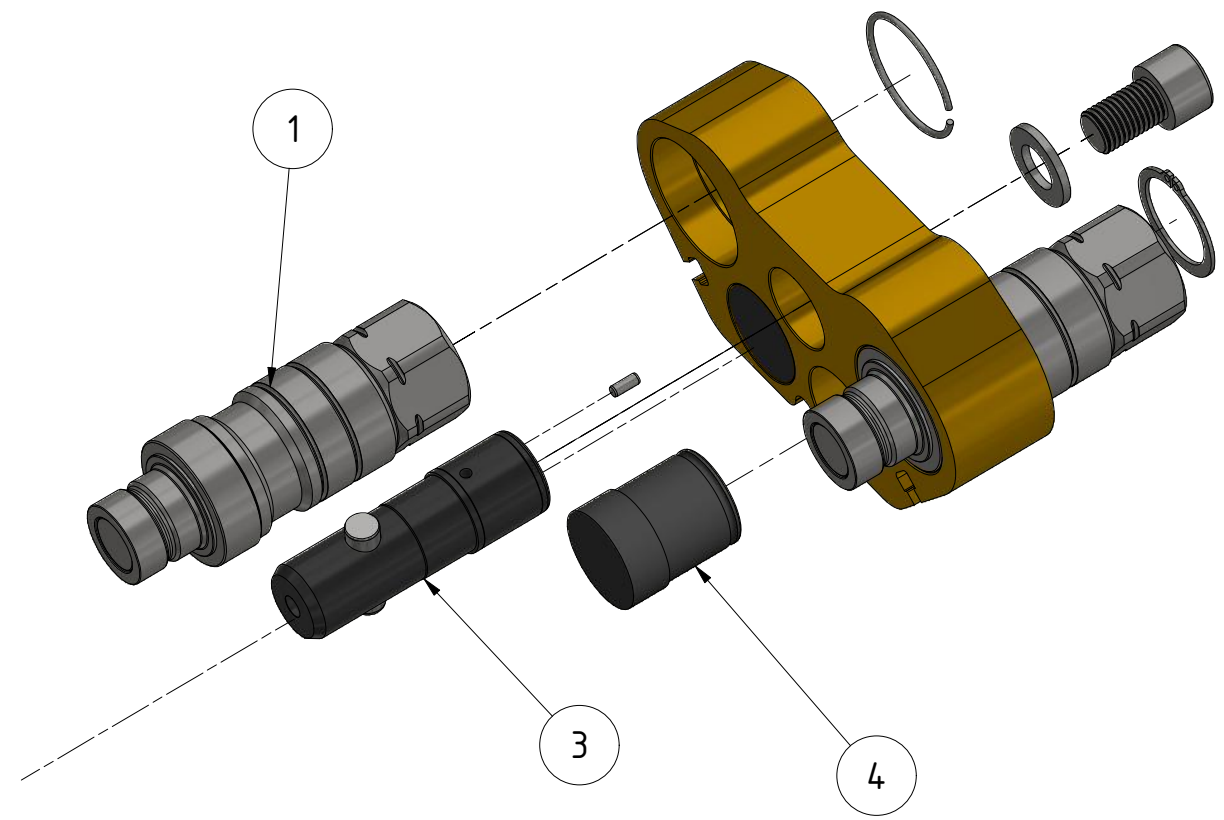
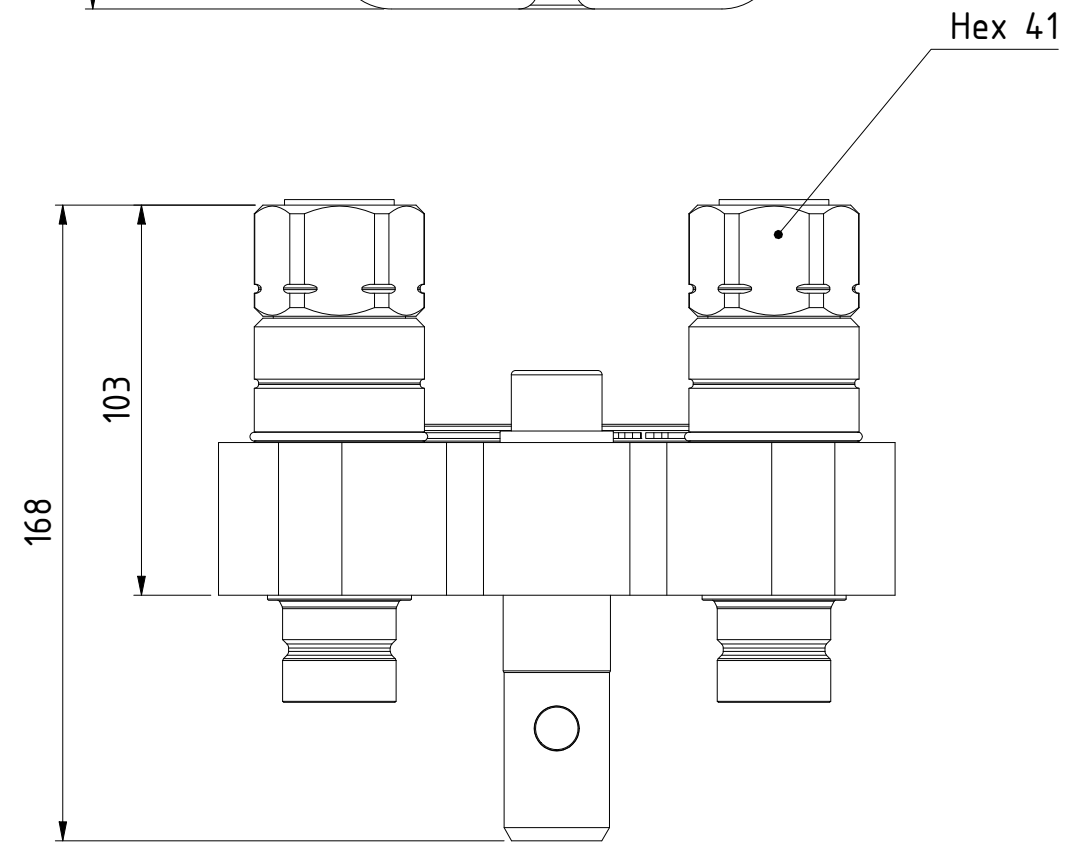
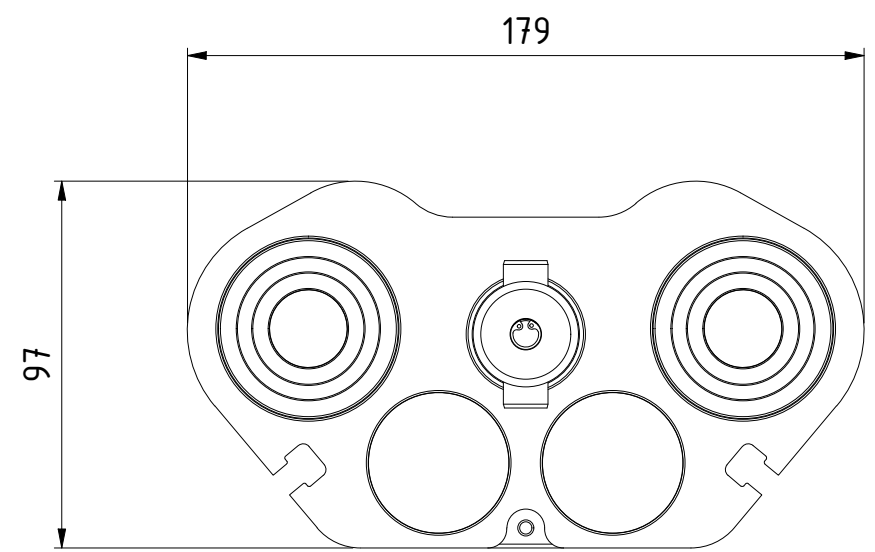


This document must not be copied, either completely or in part, without permission. Any infringement will have legal consequences ©



Product No.	109325252
Nominal flow \varnothing DN:	19 mm
Connection Stroke:	
Max WP Connected:	350 bar
Max WP Disconnected:	bar
Min BP Connected:	1200 bar
Min BP Disconnected:	bar
Temperature range:	-30°C - 100°C
Connection:	BSP 3/4" Female
Sealing material:	NBR/PUR
Hexagon:	

Item	Qty	Description	Material	Part Number
4	2	Plug kit 1/2"		109324906
3	1	Center bolt kit		109324954
2	1	Dust Cap		109321055
1	2	Nipple kit DN19		107646908

	Scale	1 : 2	Drawn	JOER	Checked	MBA	Appr.	PMB	ECO	12720	Date	2019-02-28	
	Drawing No. 509325252										Issue	AC	Sheet

A3