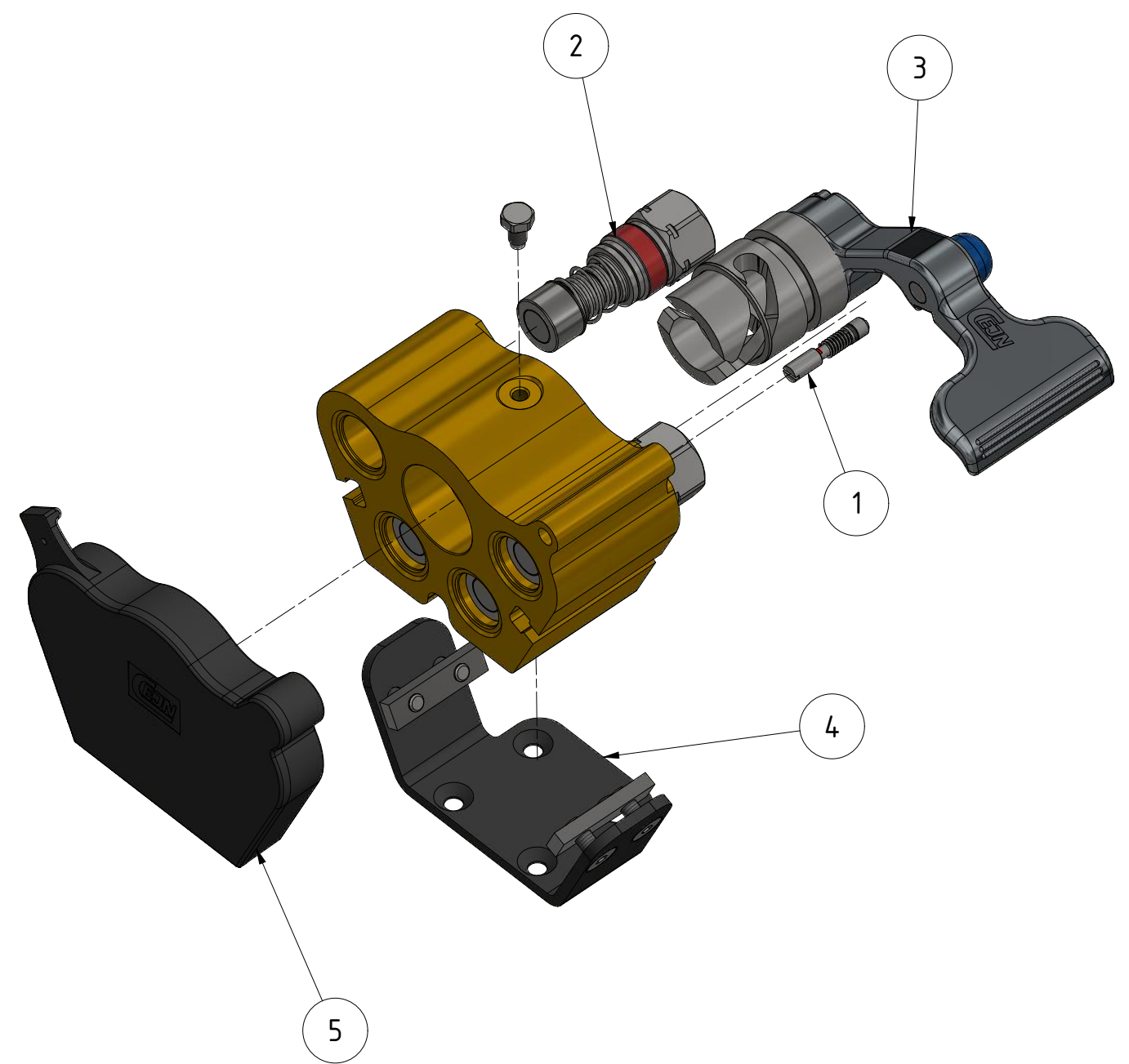
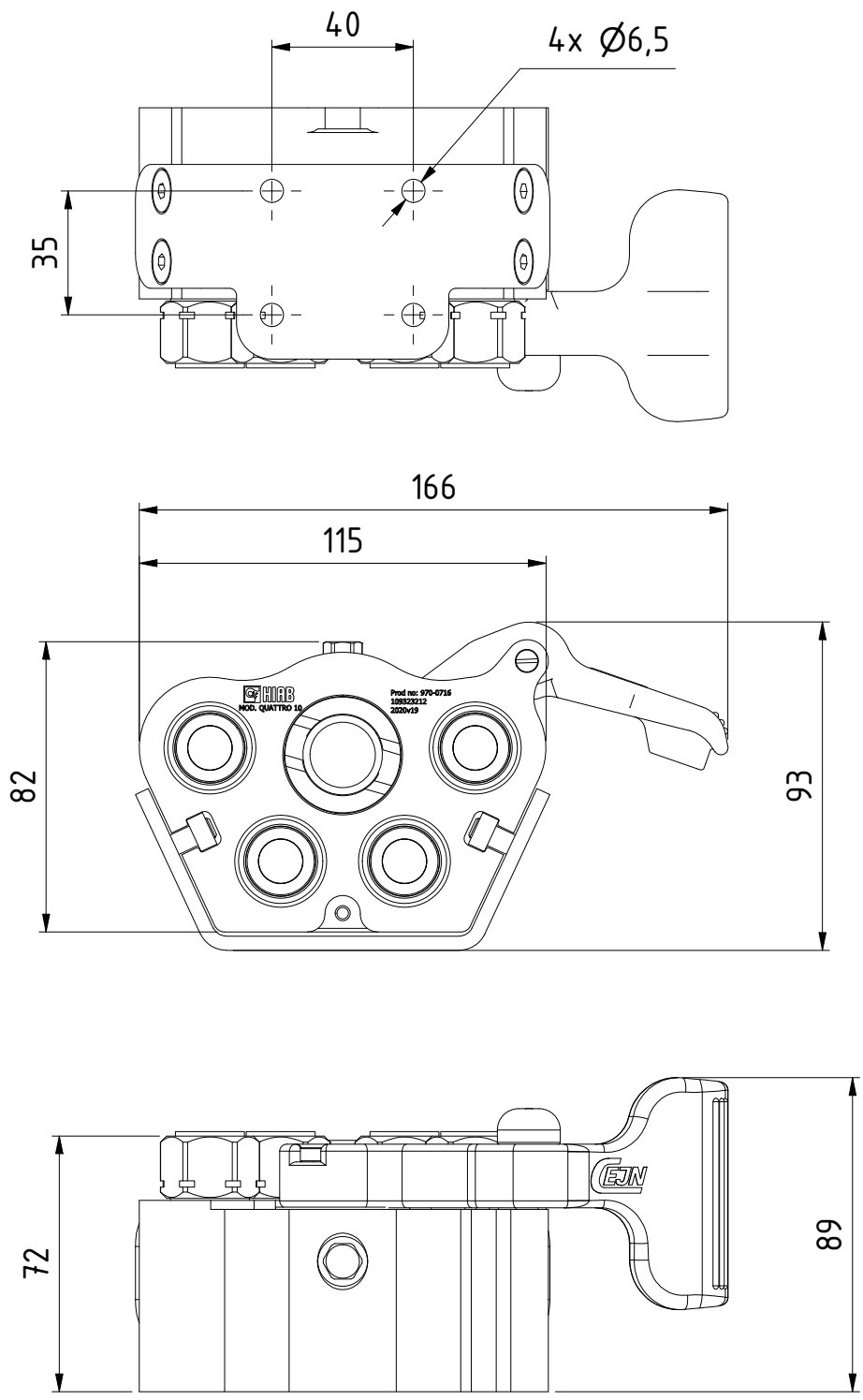



This document must not be copied, either completely or in part, without permission. Any infringement will have legal consequences ©



Product No.	109323200
Nominal flow $\varnothing$ DN:	10 mm
Connection Stroke:	
Max WP Connected:	350 bar
Max WP Disconnected:	350 bar
Min BP Connected:	1200 bar
Min BP Disconnected:	1200 bar
Temperature range:	-30°C - 100°C
Connection:	BSP 3/8" Female
Sealing material:	NBR
Hexagon:	

Item	Qty	Description	Material	Part Number
5	1	Dust Cap		109321001
4	1	Kit Mounting Br.	Steel	109324932
3	1	Lever assembly (DN10)		109324950
2	4	Coupling DN10 insert		103651908
1	1	Lock in house Kit		109324992

Scale	1 : 2	Drawn	EP	Checked	JoEr	Appr.	PMB	ECO	12400	Date	2019-02-28		
 <b>Assembly Drawing 509323200</b>										Issue	AD	Sheet	1 / (1 )

A3