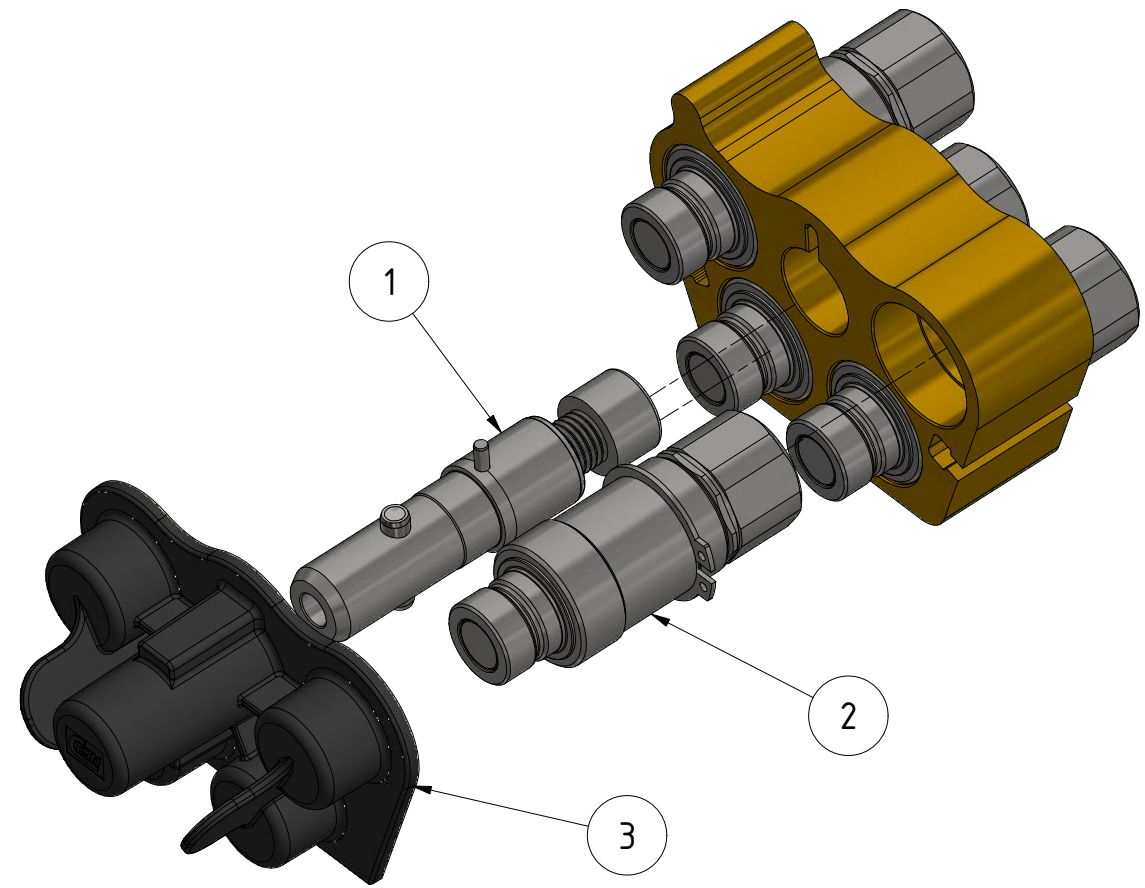
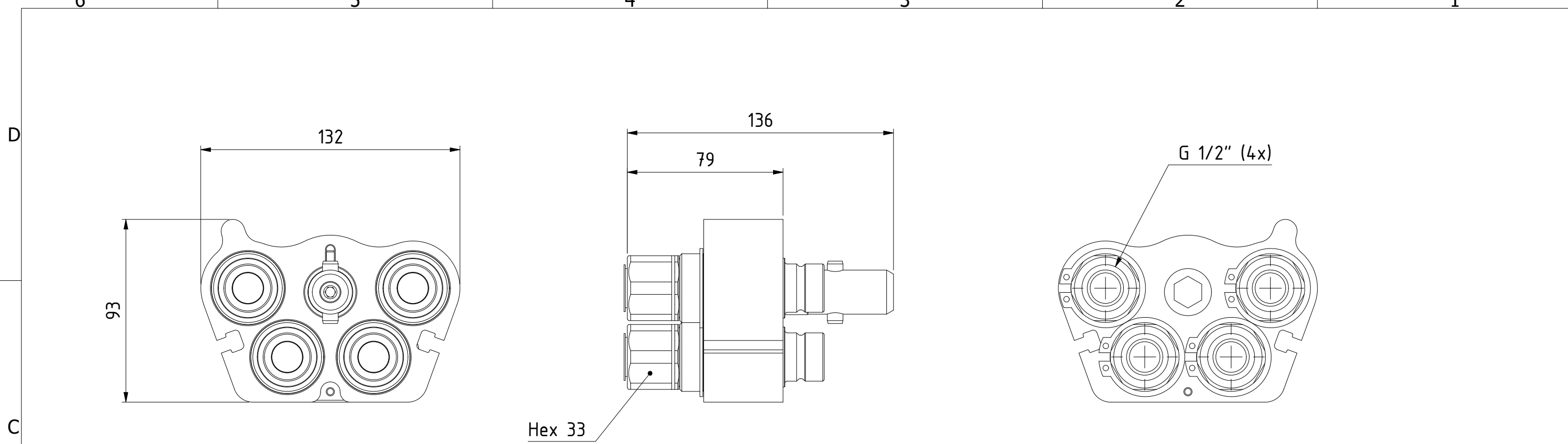


This document must not be copied, either completely or in part, without permission. Any infringement will have legal consequences ©



Product No.	109324251
Nominal flow \varnothing DN:	12.5 mm
Connection Stroke:	-
Max WP Connected:	350 bar
Max WP Disconnected:	350 bar
Min BP Connected:	1200 bar
Min BP Disconnected:	1200 bar
Temperature range:	-30°C - 100°C
Connection:	BSP 1/2" Female
Sealing material:	NBR/PUR
Hexagon:	

Item	Qty	Description	Material	Part Number
3	1	Dust Cap		109321053
2	4	Nipple Kit DN12.5		105646908
1	1	Center Bolt Asse.		109324972

	Scale	1:2	Drawn	EP	Checked	JoEr	Appr.	PMB	ECO	12400	Date	2019-02-28	
	Assembly Drawing 509324251								Drawing No.				
										Issue	AC	Sheet	1 / (1)

A3