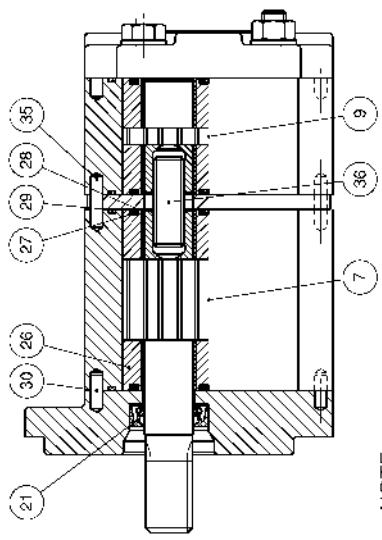
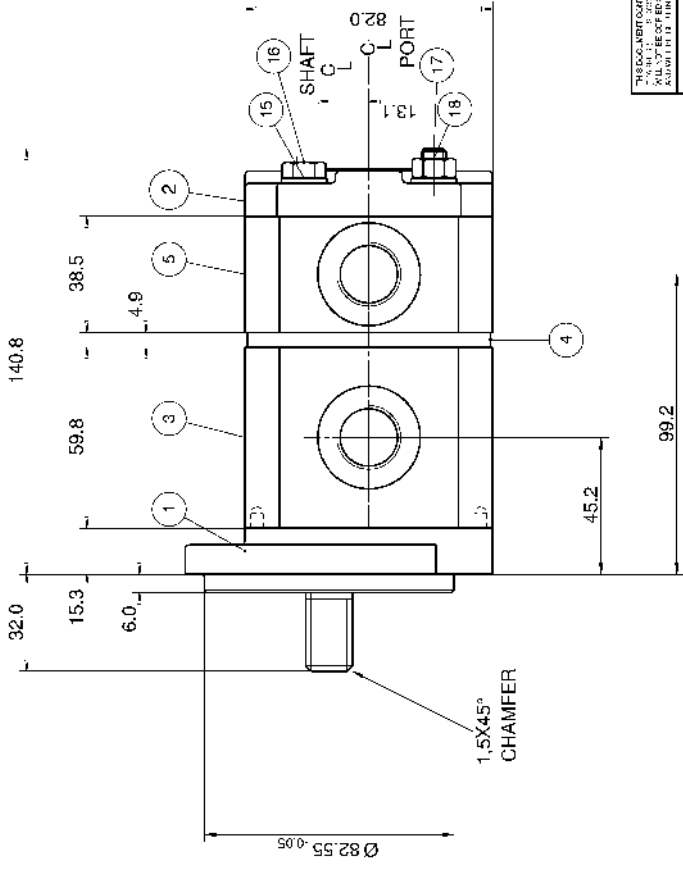
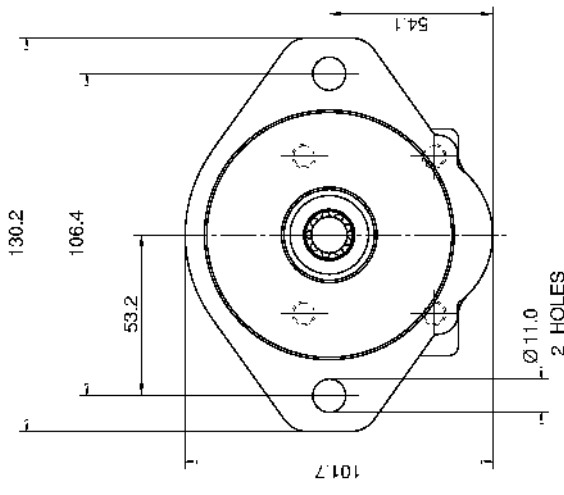
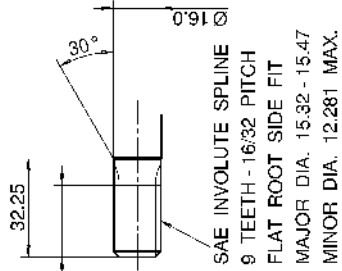
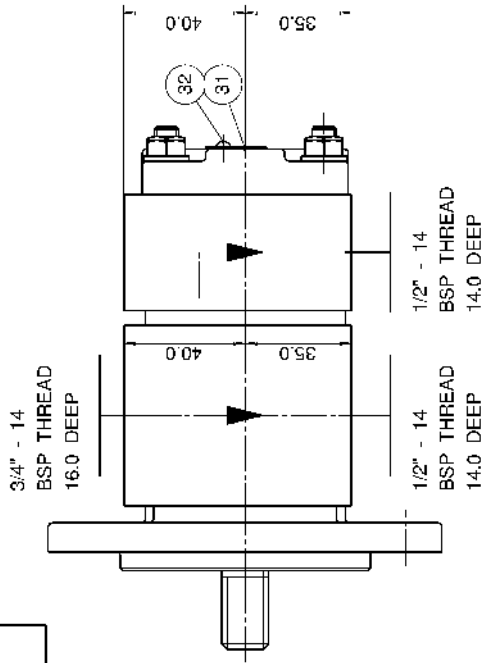


PUMP DATA	PUMP I	PUMP II
DISPLACEMENT	10.0 ccm	2.0 ccm
MAX. CONT. PRESSURE	250 bar	275 bar
SPEED RATE	500 TO 2800 min ⁻¹	
MAX. INPUT SHAFT TORQUE	108 Nm	
ROTATION	CLOCKWISE	

CUSTOMER
PART NUMBER
P 17573



NOTE

1 FOR ASSEMBLY INSTRUCTIONS SEE DWG. NO. "505-B1"
"PGP505 PUMP ASSEMBLY INSTRUCTIONS"

ITEM	PART NO.	QTY	UNIT	DESCRIPTION
28	391 2882 153	4	SEAL_BK-UP	36 391 1133 001 1 SFT. CONN
27	391 2882 152	4	SEAL_CHAN	35 391 2080 079 2 PIN_DOWEL
26	391 2185 091	4	THRBLK/BSTG	34
25				33
24				32 391 1432 004 2 SCREW_DR.
23				31 391 2183 227 1 NAMEPLATE
22				30 391 2080 078 2 PIN_DOWEL
21	391 2883 178	1	SEAL_LIP	29 391 2882 154 4 SEAL_SECT

ITEM	SEE ABOVE	QTY	UNIT	DESCRIPTION
19				
18	391 1451 171	2	NUT	
17	391 1425 548	2	STUD (136MM)	
16	391 1401 641	2	CAPSCREW (130 MM)	
15	391 3782 230	4	WASHER	
14				
13				
12				
11				
10	331 2802 000	1	SET_GEAR	
9				
8				
7	331 2910 420	1	SET_GEAR SHAFT	
6				
5	331 8402 403	1	HOUSING_GEAR	
4	391 2183 234	1	PLATE_MID	
3	331 8410 406	1	HOUSING_GEAR	
2	331 3000 100	1	HOUSING_PEC	
1	331 5020 210	1	HOUSING_SEC	

THIS DOCUMENT IS THE PROPERTY OF PARKER HANNIFIN CORPORATION. IT IS TO BE USED FOR THE SPECIFIC PURPOSE AND FOR THE SPECIFIC CUSTOMER FOR WHICH IT WAS PREPARED. IT IS NOT TO BE REPRODUCED OR TRANSMITTED IN ANY FORM OR BY ANY MEANS, ELECTRONIC OR MECHANICAL, INCLUDING PHOTOCOPYING, RECORDING, OR BY ANY INFORMATION STORAGE AND RETRIEVAL SYSTEM. WITHOUT THE WRITTEN PERMISSION OF PARKER HANNIFIN CORPORATION, THIS DOCUMENT IS NOT TO BE USED FOR ANY OTHER PURPOSE.

PGP505B0100CA1H2NE5E3C-505A0020XB1E3B1B1

MATERIAL: P
ADM: P
CTF: P
REV: 000000
WT: 5.1 kg
DIMENSIONS ARE: MM

THIRD ANGLE PROJECTION

TAP INC.

FIRST USED: 04-06-913

331 9121 129

DATE: 07JUN04
SCALE: 1/2

331 9121 129

© 2004 Parker Hannifin Corporation