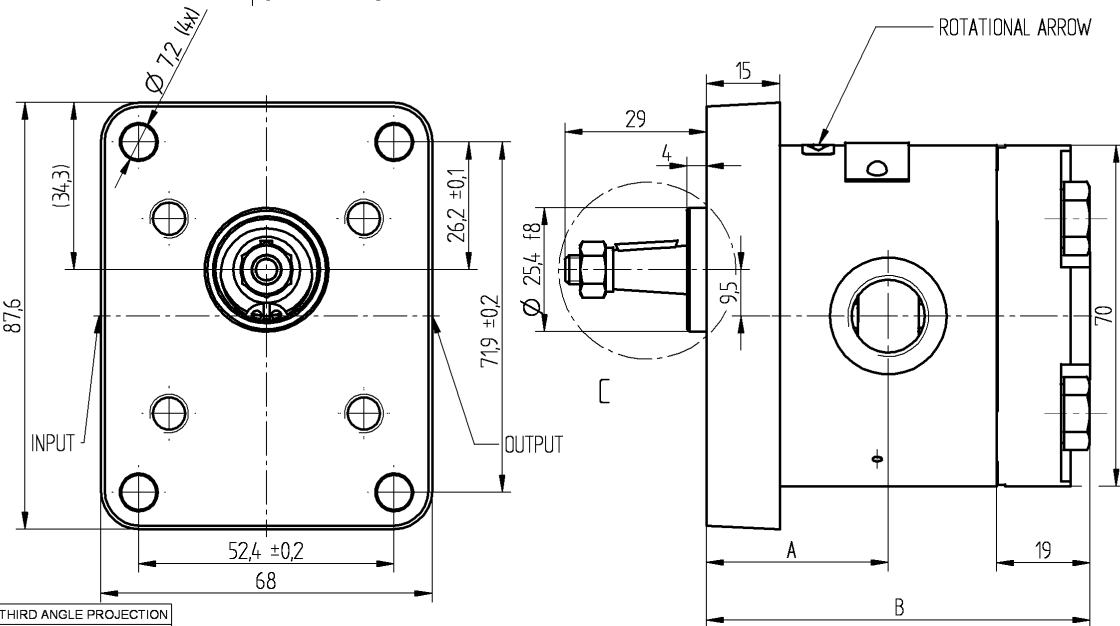
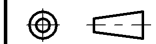


SECTION A-A



0079	7,9	45,8	95,6	500	1 500	160	1,55	330 9111 345
0062	6,2	42,6	89,3	500	1 800	180	1,45	330 9111 344
0058	5,8	41,9	87,8	500	2 000	200	1,35	330 9111 343
0048	4,8	40,0	84,0	500	2 400	230	1,35	330 9111 342
0043	4,3	39,2	82,5	500	2 600	250	1,25	330 9111 341
0036	3,6	37,8	79,6	500	3 200	260	1,15	330 9111 340
0033	3,3	37,2	78,5	500	3 500	280	1,15	330 9111 339
0025	2,5	35,7	75,5	500	4 500	280	1,15	330 9111 338
0021	2,1	34,9	73,9	500	4 500	280	1,05	330 9111 337
0016	1,6	34,1	72,3	500	5 000	280	1,05	330 9111 336
0012	1,2	33,4	70,8	500	5 000	280	1,05	330 9111 335
0008	0,8	32,6	69,3	500	5 000	280	1,05	330 9111 334
xxxx	cm <sup>3</sup> /rev	A	B	min. rpm	max. rpm	bar	kg	Clockwise
Displacement	Dimension	Speed of rotation	Max pressure	Weight	TDN			

THIRD ANGLE PROJECTION



EXP NO.

FIRST USED

07 - 03 - 952

SYM. REVISIONS

B - COVER CHANGED  
A - NOTE ADDED, PARAMETERS CHANGED

THIS DOCUMENT CONTAINS INFORMATION THAT IS CONFIDENTIAL AND PROPRIETARY TO PARKER-HANNIFIN CORPORATION.  
(PARKER) THIS DOCUMENT IS FURNISHED ON THE UNDERSTANDING THAT THE DOCUMENT AND THE INFORMATION IT CONTAINS  
WILL NOT BE COPIED OR DISCLOSED TO OTHERS OR USED FOR ANY PURPOSE OTHER THAN CONDUCTING BUSINESS WITH PARKER,  
AND WILL BE RETURNED AND ALL FURTHER USE DISCONTINUED UPON REQUEST BY PARKER. ALL RIGHTS RESERVED.

PGP502AxxxxCP2D1NE2E2B1B1

MATERIAL

ADM  
CTR P

REV  
DTE

16MAR09

HE-STD

WT SEE TABLE

DIMENSIONS ARE: MM

**Parker** Pump & Motor Division  
Chemnitz

DR BY DATE CR BY DATE SCALE  
RP 26MAR07 VP 26MAR07 1/1

SEE TABLE

© 2009 Parker-Hannifin Corporation