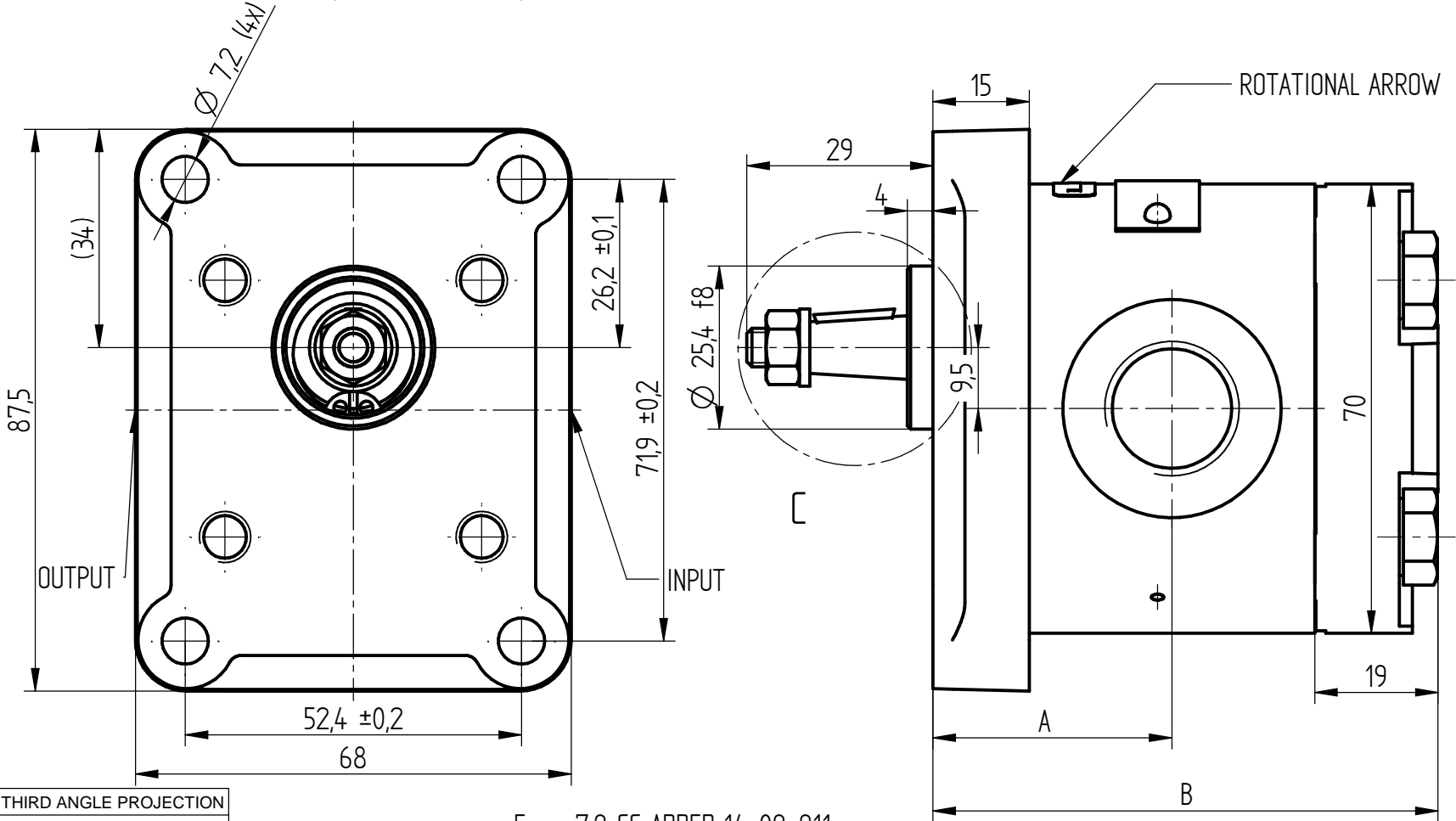


SECTION A-A



| | | | | | | | | |
|--------------|----------------------|-----------|------|-------------------|---------|--------------|--------|---------------|
| 0079 | 7,9 | 45,8 | 95,6 | 500 | 3 000 | 160 | 1,55 | 330 9112 325 |
| 0062 | 6,2 | 42,6 | 89,3 | 500 | 3 500 | 180 | 1,45 | 330 9112 241 |
| 0058 | 5,8 | 41,9 | 87,8 | 500 | 3 800 | 200 | 1,35 | 330 9112 240 |
| 0048 | 4,8 | 40,0 | 84,0 | 500 | 3 800 | 230 | 1,35 | 330 9112 239 |
| 0043 | 4,3 | 39,2 | 82,5 | 500 | 4 000 | 250 | 1,25 | 330 9112 319 |
| 0036 | 3,6 | 37,8 | 79,6 | 500 | 4 000 | 260 | 1,15 | 330 9112 238 |
| 0033 | 3,3 | 37,2 | 78,5 | 500 | 4 000 | 280 | 1,15 | 330 9112 237 |
| 0025 | 2,5 | 35,7 | 75,5 | 500 | 4 500 | 280 | 1,15 | 330 9112 236 |
| 0021 | 2,1 | 34,9 | 73,9 | 500 | 4 500 | 280 | 1,05 | 330 9112 300 |
| 0016 | 1,6 | 34,1 | 72,3 | 500 | 5 000 | 280 | 1,05 | 330 9112 235 |
| 0012 | 1,2 | 33,4 | 70,8 | 500 | 5 000 | 280 | 1,05 | 330 9112 234 |
| 0008 | 0,8 | 32,6 | 69,3 | 500 | 5 000 | 280 | 1,05 | 330 9112 233 |
| xxxx | cm ³ /rev | A | B | min. rpm | max.rpm | bar | kg | Anticlockwise |
| Displacement | | Dimension | | Speed of rotation | | Max pressure | Weight | TDN |

THIRD ANGLE PROJECTION

EXP NO.

FIRST USED

07 - 03 - 952

| SYM. | REVISIONS |
|------|-----------|
| | |

- F - 7,9 CC ADDED 14-09-911
- E - 4,3 CC ADDED 12-02-950
- D - 2,1 CC ADDED 10-03-909
- C - COVER CHANGED
- B - SPOTFACE CHANGED
- A - NOTE ADDED, SPOTFACE CHANGED

THIS DOCUMENT CONTAINS INFORMATION THAT IS CONFIDENTIAL AND PROPRIETARY TO PARKER-HANNIFIN CORPORATION ("PARKER"). THIS DOCUMENT IS FURNISHED ON THE UNDERSTANDING THAT THE DOCUMENT AND THE INFORMATION IT CONTAINS WILL NOT BE COPIED OR DISCLOSED TO OTHERS OR USED FOR ANY PURPOSE OTHER THAN CONDUCTING BUSINESS WITH PARKER, AND WILL BE RETURNED AND ALL FURTHER USE DISCONTINUED UPON REQUEST BY PARKER. ALL RIGHTS RESERVED.

PGP502AxxxxAP2D1NE3E2B1B1

| | | |
|-------------------|---------|-----------|
| MATERIAL | ADM CTR | P |
| H.E.-STD: | REV DTE | 04OCT14 |
| | WT | SEE TABLE |
| DIMENSIONS ARE MM | | |

Parker Pump & Motor Division
Chemnitz

| DR. BY | DATE | CH. BY | DATE | SCALE |
|------------------------------------|---------|--------|---------|-------|
| RP | 18APR07 | VP | 18APR07 | 1/1 |
| SEE TABLE | | | | |
| © 2009 Parker-Hannifin Corporation | | | | |