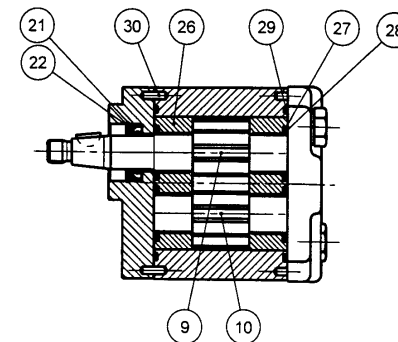
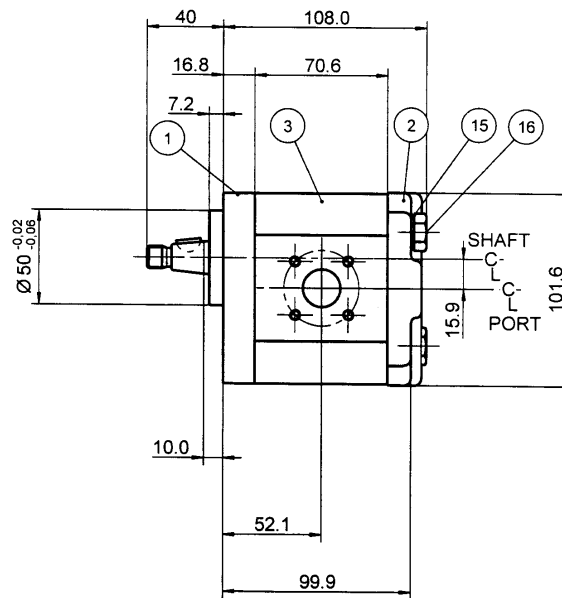
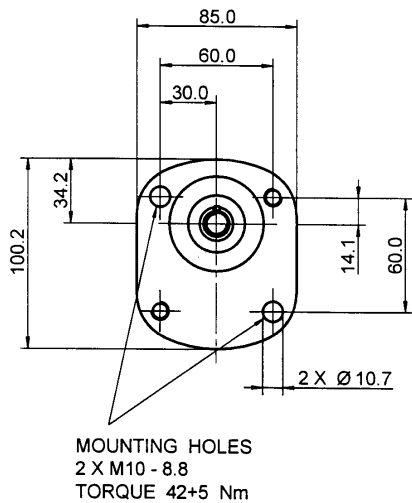
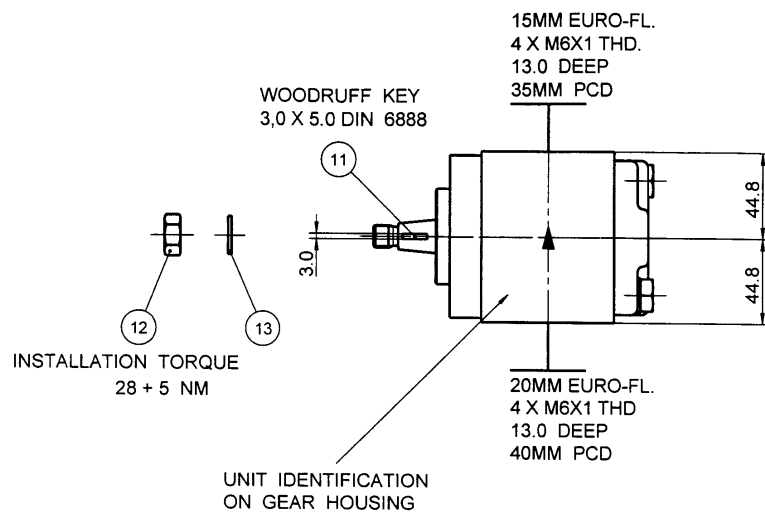
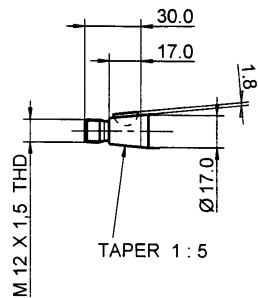


PUMP DATA	
DISPLACEMENT	19,0 ccm
MAX.CONT.PRESSURE	250 bar
SPEED RATE 500 TO	2500 min <sup>-1</sup>
MAX. INPUT SHAFT TORQUE	193 NM
ROTATION	ANTI CLOCKWISE



**NOTE**

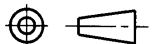
FOR ASSEMBLY INSTRUCTIONS SEE DWG. NO. "511-B1" "PGP511 PUMP ASSEMBLY INSTRUCTIONS".

ITEM	PART NO	REQD	ITEM	PART NO	REQD
28	8611-015-000	2	SEAL. BK-UP	36	
27	8611-016-00R	2	SEAL. CHAN.	35	
26	8898-207-00U	2	THRBLK/BSHG	34	
25				33	
24				32	
23				31	
22	9211-323-00B	1	RING, SNAP	30	391 2080 078 2 PIN DOWEL
21	8301-019-00K	1	SEAL. LIP	29	9313-145-00B 2 SEAL. SECT.

**BOM. COMPONENT**

ITEM	PART NO	REQ'D	DESCRIPTION
20	SEE ABOVE	1	BOM. COMPONENT
19			
18			
17			
16	391 1401 545	2	SCREW (100 MM)
15	391 3782 231	2	WASHER
14			
13	391 3782 259	1	WASHER
12	391 1451 160	1	NUT
11	391 1781 099	1	KEY
10	334 2719 000	1	DRIVEN GEAR
9	334 1819 600	1	DRIVE GEAR
8			
7			
6			
5			
4			
3	334 8119 901	1	HOUSING. GEAR
2	332 3000 100	1	HOUSING. PEC
1	334 5051 202	1	HOUSING. SEC

**THIRD ANGLE PROJECTION**



EXP. NO.	
FIRST USED	02 - 01 - 935
	334 9112 218

SYM.	REVISIONS

THIS DOCUMENT CONTAINS INFORMATION THAT IS CONFIDENTIAL AND PROPRIETARY TO PARKER HANNIFIN CORPORATION ("PARKER"). THIS DOCUMENT IS FURNISHED ON THE UNDERSTANDING THAT THE DOCUMENT AND INFORMATION WILL BE NOT COPIED OR DISCLOSED TO OTHERS OR USED FOR ANY PURPOSE OTHER THAN CONDUCTING BUSINESS WITH PARKER, AND WILL BE RETURNED AND ALL FURTHER USE DISCONTINUED UPON REQUEST BY PARKER. ALL RIGHTS RESERVED.

**PGP511A0190AS1Q4NJ7J5B1B1**

MATERIAL	ADM CTR P
REV DTE	000000
H.E.-STD:	WT 4 Kg
DIMENSIONS ARE —MM—	



DR BY	DATE	CH BY	DATE	SCALE
WS	25JAN02	KH	25JAN02	1/2

**334 9112 218**  
© 2002 Parker-Hannifin Corporation