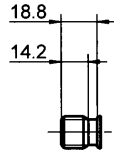
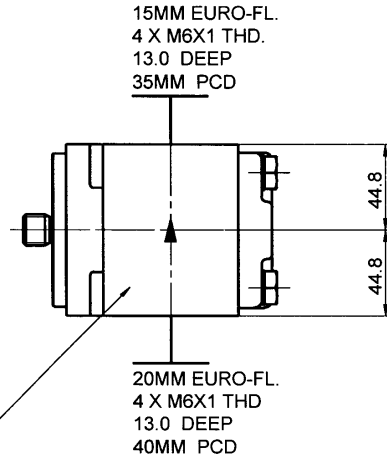


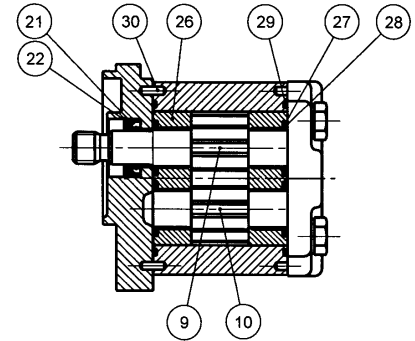
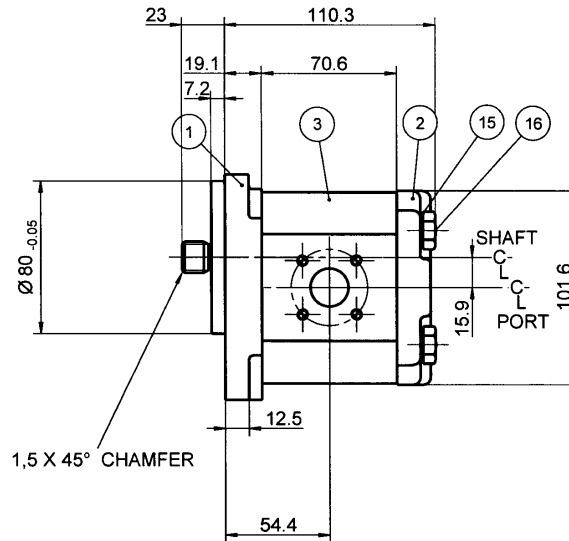
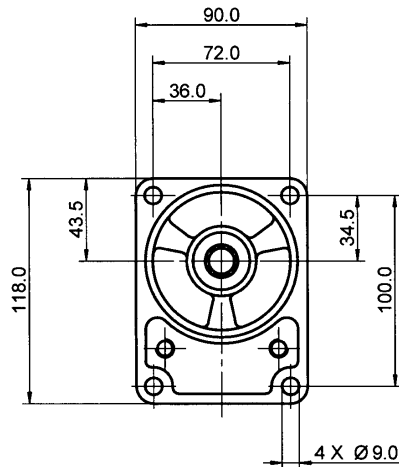
PUMP DATA	
DISPLACEMENT	19,0 ccm
MAX. CONT. PRESSURE	250 bar
SPEED RATE	500 TO 2500 min ⁻¹
MAX. INPUT SHAFT TORQUE	101 NM
ROTATION	ANTI CLOCKWISE



DIN 5482 INVOLUTE SPLINE
B 17 X 14; 9 TEETH
FLAT ROOT SIDE FIT
MAJOR DIA. 16.39 - 16.50
MINOR DIA. 13.50
PROFIL OFFSET 0,600 mm



UNIT IDENTIFICATION
ON GEAR HOUSING



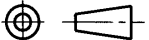
NOTE

▽ FOR ASSEMBLY INSTRUCTIONS SEE DWG. NO. "511-B1"
"PGP511 PUMP ASSEMBLY INSTRUCTIONS".

ITEM	PART NO	REQD	ITEM	PART NO	REQD
28	8611-015-000	2	SEAL. BK-UP	36	
27	8611-016-00R	2	SEAL. CHAN.	35	
26	8898-207-00U	2	THRBLK/BSHG	34	
25				33	
24				32	
23				31	
22	9211-323-00B	1	RING, SNAP	30	391 2080 078 2
21	8301-019-00K	1	SEAL. LIP	29	9313-145-00B 2

20					
19					
18					
17					
16	391 1401 545	4	SCREW (100 MM)		
15	391 3782 231	4	WASHER		
14					
13					
12					
11					
10	334 2719 000	1	DRIVEN GEAR		
9	334 1119 700	1	DRIVE GEAR		
8					
7					
6					
5					
4					
3	334 8119 901	1	HOUSING. GEAR		
2	332 3000 100	1	HOUSING. PEC		
1	334 5041 203	1	HOUSING. SEC		

THIRD ANGLE PROJECTION



EXP NO.	
FIRST USED	02 - 10 - 978
	334 9112 413

SYM.	REVISIONS

THIS DOCUMENT CONTAINS INFORMATION THAT IS CONFIDENTIAL AND PROPRIETARY TO PARKER HANNIFIN CORPORATION. ("PARKER"). THIS DOCUMENT IS FURNISHED ON THE UNDERSTANDING THAT THE DOCUMENT AND INFORMATION WILL BE NOT COPIED OR DISCLOSED TO OTHERS OR USED FOR ANY PURPOSE OTHER THAN CONDUCTING BUSINESS WITH PARKER, AND WILL BE RETURNED AND ALL FURTHER USE DISCONTINUED UPON REQUEST BY PARKER. ALL RIGHTS RESERVED.

PGP511A0190AF1D4NJ7J5B1B1

MATERIAL	ADM CTR P	DR. BY DATE	CH BY DATE	SCALE
H.E.-STD:	REV DTE 000000	PW 07NOV02	UH 07NOV02	1/2
WT 4 Kg	DIMENSIONS ARE MM	334 9112 413		
© 2002 Parker-Hannifin Corporation				

Parker Hydraulic Controls Division
Sachsenhydraulik GmbH
Chemnitz