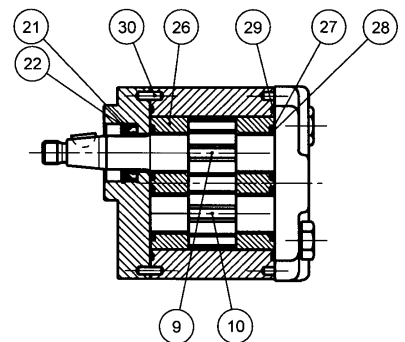
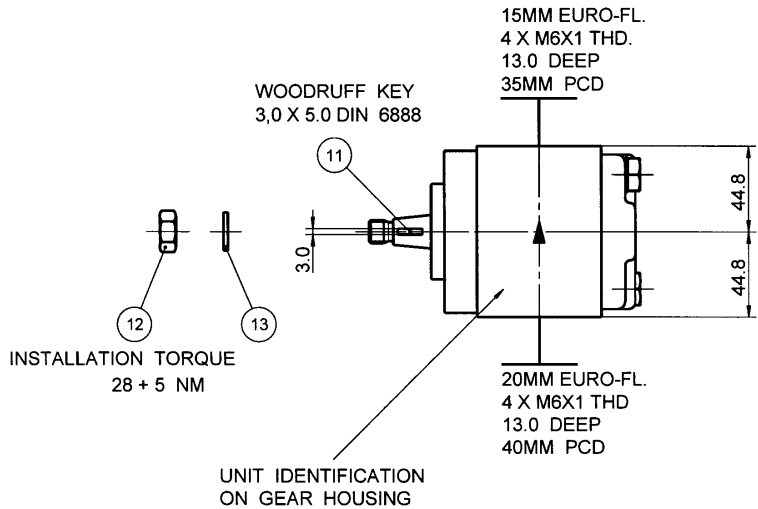
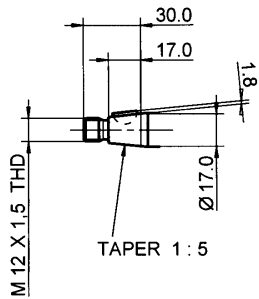
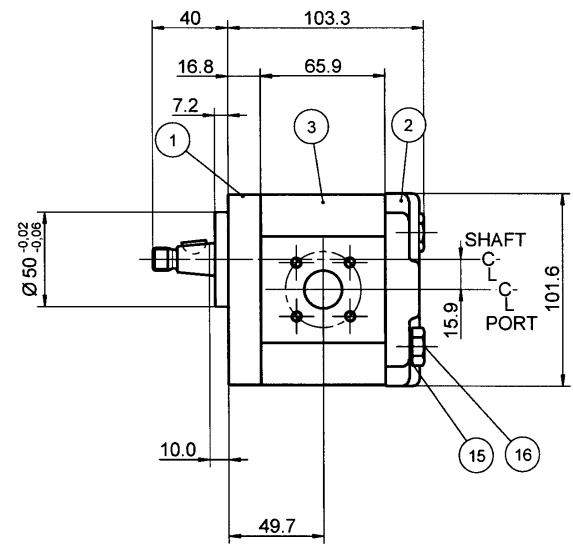
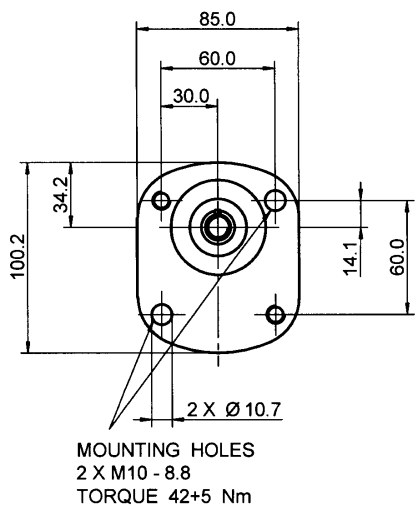


PUMP DATA	
DISPLACEMENT	16,0 ccm
MAX.CONT.PRESSURE	250 bar
SPEED RATE	500 TO 3000 min <sup>-1</sup>
MAX. INPUT SHAFT TORQUE	193 NM
ROTATION	ANTI CLOCKWISE



**NOTE**

FOR ASSEMBLY INSTRUCTIONS SEE DWG. NO. "511-B1" "PGP511 PUMP ASSEMBLY INSTRUCTIONS".



ITEM	PART NO	REQD	ITEM	PART NO	REQD
28	8611-015-000	2	SEAL. BK-UP	36	
27	8611-016-00R	2	SEAL. CHAN.	35	
26	8898-207-00U	2	THRBLK/BSHG	34	
25				33	
24				32	
23				31	
22	9211-323-00B	1	RING, SNAP	30	391 2080 078 2
21	8301-019-00K	1	SEAL. LIP	29	9313-145-00B 2
					SEAL. SECT.

20					
19					
18					
17					
16	391 1401 544	2	SCREW	(95 MM)	
15	391 3782 231	2	WASHER		
14					
13	391 3782 259	1	WASHER		
12	391 1451 160	1	NUT		
11	391 1781 099	1	KEY		
10	334 2716 000	1	DRIVEN GEAR		
9	334 1816 600	1	DRIVE GEAR		
8					
7					
6					
5					
4					
3	334 8116 901	1	HOUSING. GEAR		
2	332 3000 100	1	HOUSING. PEC		
1	334 5051 201	1	HOUSING. SEC		
ITEM	PART NO	REQD	DESCRIPTION		

THIRD ANGLE PROJECTION
EXP NO.
FIRST USED
02 - 10 - 980
334 9112 417

SYM.	REVISIONS
------	-----------

THIS DOCUMENT CONTAINS INFORMATION THAT IS CONFIDENTIAL AND PROPRIETARY TO PARKER HANNIFIN CORPORATION. (PARKER). THIS DOCUMENT IS FURNISHED ON THE UNDERSTANDING THAT THE DOCUMENT AND INFORMATION WILL BE NOT COPIED OR DISCLOSED TO OTHERS OR USED FOR ANY PURPOSE OTHER THAN CONDUCTING BUSINESS WITH PARKER. AND WILL BE RETURNED AND ALL FURTHER USE DISCONTINUED UPON REQUEST BY PARKER. ALL RIGHTS RESERVED.

**PGP511A0160AS1Q2NJ7J5B1B1**

MATERIAL	ADM CTR P	DR. BY DATE PW 08NOV02	CH. BY DATE UH 08NOV02	SCALE 1/2
H.E.-STD:	REV DTE 000000	334 9112 417		
	WT 3.9 Kg	DIMENSIONS ARE —MM—		

**Parker** Hydraulic Controls Division  
Sachsenhydraulik GmbH  
Chemnitz

© 2002 Parker-Hannifin Corporation