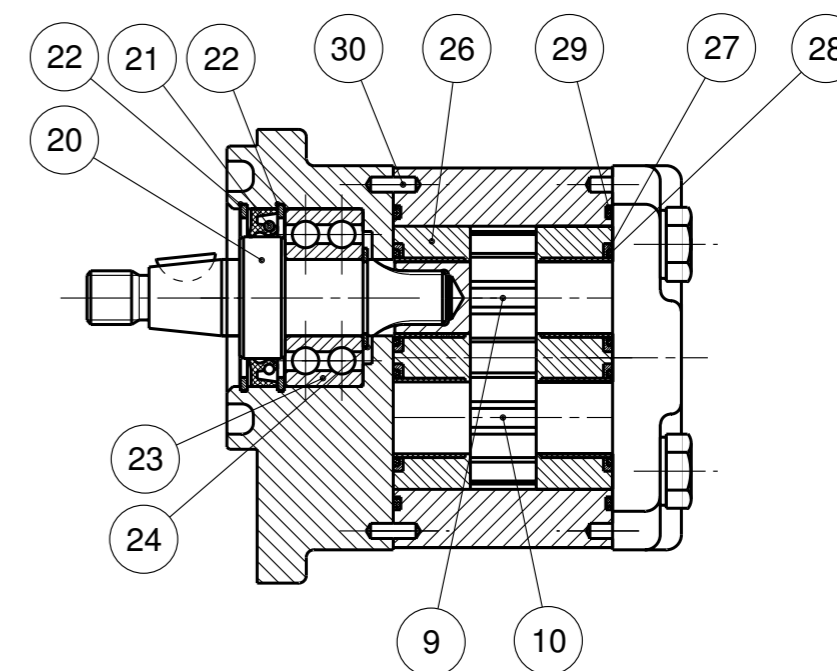
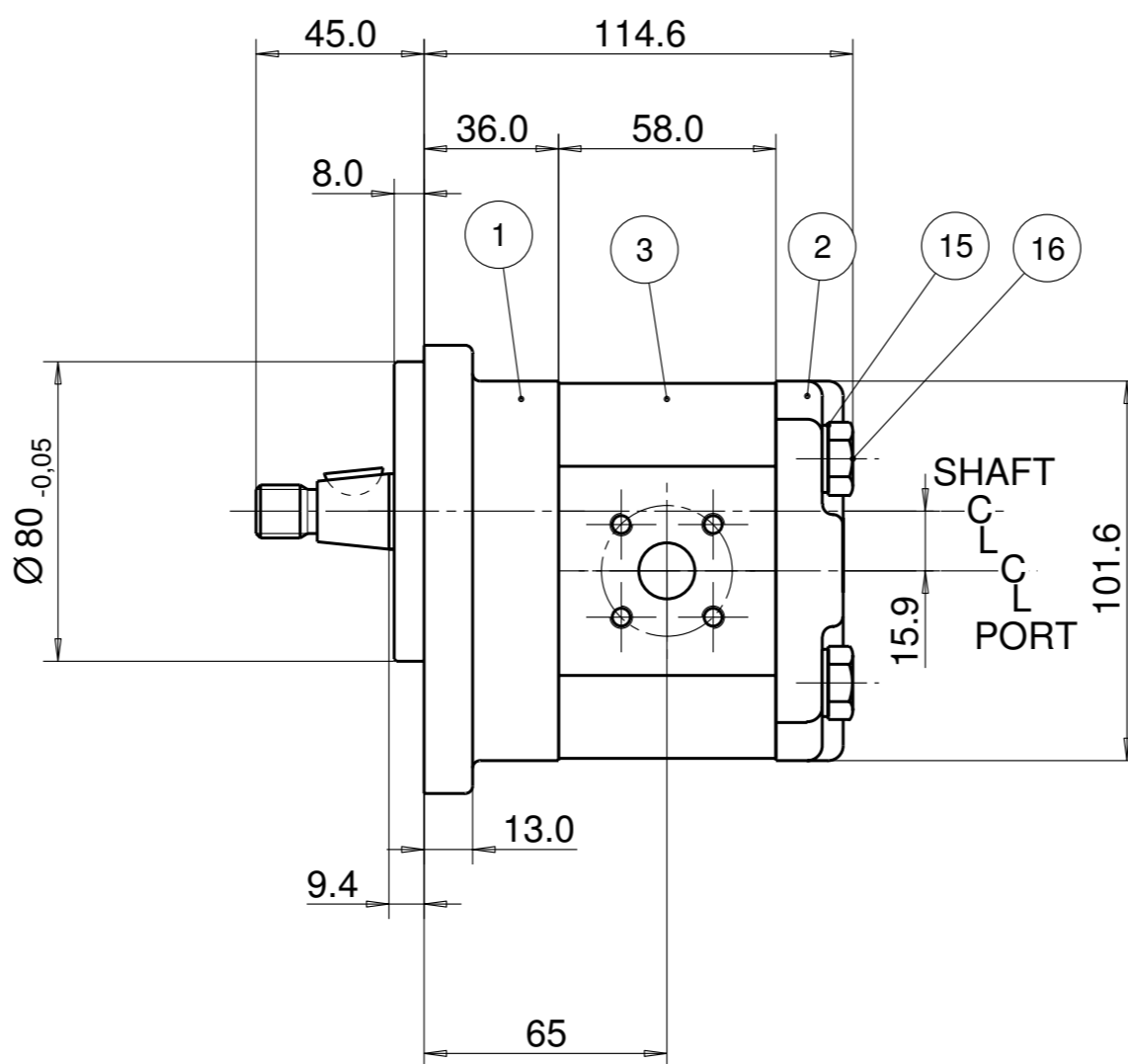
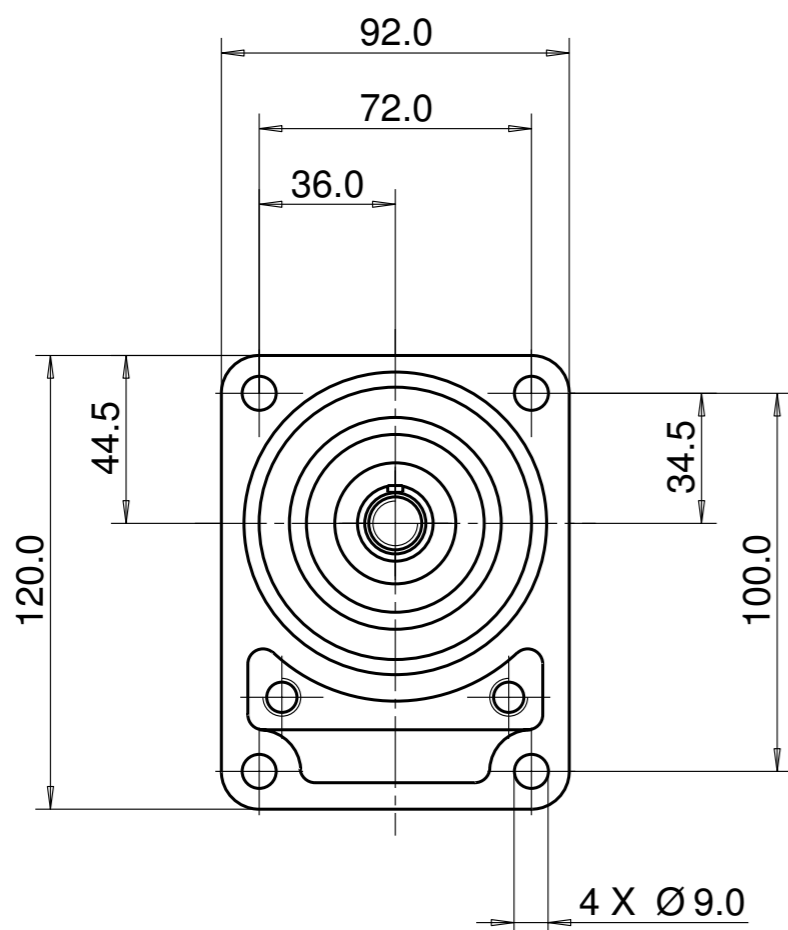
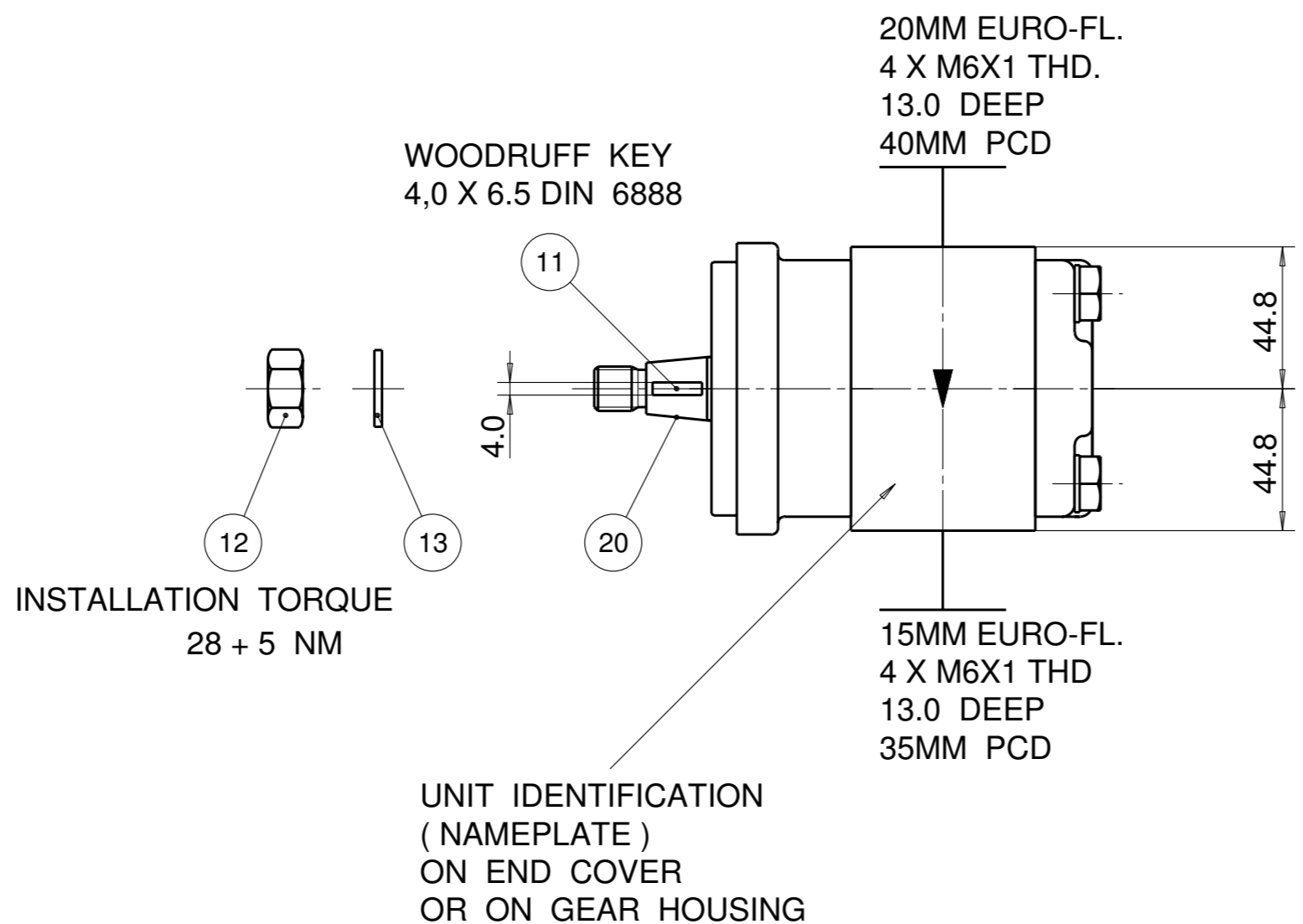
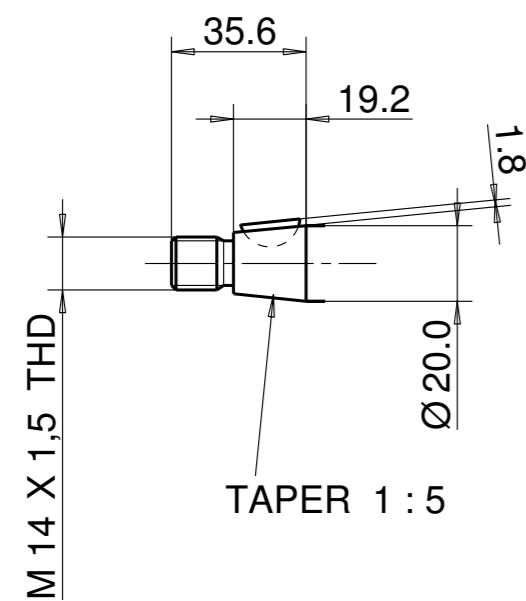


PUMP DATA	
DISPLACEMENT	11,0 ccm
MAX.CONT.PRESSURE	250 bar
SPEED RATE	500 TO 3500 min <sup>-1</sup>
MAX. INPUT SHAFT TORQUE	110 Nm
ROTATION	CLOCKWISE



**NOTE**

1 FOR ASSEMBLY INSTRUCTIONS SEE DWG. NO. "511-B1" "PGP511 PUMP ASSEMBLY INSTRUCTIONS".

ITEM	REQD	ITEM	PART NO	REQD
28	8611-015-000	2	SEAL. BK-UP	36
27	8611-016-00R	2	SEAL. CHAN.	35
26	8898-207-00U	2	THRBLK/BSHG	34
25				33
24	3912681550	1	RING, SNAP	32
23	3910381126	1	BRG, BALL	31
22	3912681549	2	RING, SNAP	30
21	3912883197	1	SEAL, LIP	29
			391 2080 078	2
			9313-145-00B	2
			PIN. DOWEL	
			SEAL. SECT.	

**OBB 391 1822 365 BOM. COMPONENT**

ITEM	PART NO	REQ'D	DESCRIPTION
20	3321500605	1	SHAFT, CONT
19			
18			
17			
16	391 1401 856	4	SCREW (88 MM)
15	391 3782 231	4	WASHER
14			
13	391 3782 260	1	WASHER
12	391 1451 161	1	NUT
11	391 1781 079	1	KEY
10	334 2711 000	1	DRIVEN GEAR
9	334 2611 000	1	DRIVE GEAR
8			
7			
6			
5			
4			
3	334 8111 901	1	HOUSING. GEAR
2	332 3000 100	1	HOUSING. PEC
1	334 5041 215	1	HOUSING. SEC

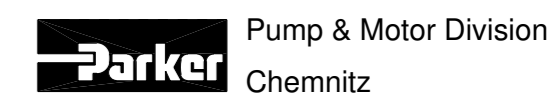
THIRD ANGLE PROJECTION

EXP NO.	
FIRST USED	
05 - 09 - 911	
334 9114 056	
SYM.	REVISIONS

THIS DOCUMENT CONTAINS INFORMATION THAT IS CONFIDENTIAL AND PROPRIETARY TO PARKER-HANNIFIN CORPORATION ("PARKER"). THIS DOCUMENT IS FURNISHED ON THE UNDERSTANDING THAT THE DOCUMENT AND THE INFORMATION IT CONTAINS WILL NOT BE COPIED OR DISCLOSED TO OTHERS OR USED FOR ANY PURPOSE OTHER THAN CONDUCTING BUSINESS WITH PARKER, AND WILL BE RETURNED AND ALL FURTHER USE DISCONTINUED UPON REQUEST BY PARKER. ALL RIGHTS RESERVED.

**PGP511A0110CS8F4NJ7J5B1B1**

MATERIAL	ADM CTR P	
H.E.-STD:	REV DTE 000000	
	WT 4.7 kg	DIMENSIONS ARE MM



DR.BY	DATE	CH.BY	DATE	SCALE
RZ	07SEP05	JS	07SEP05	1/2
<b>334 9114 056</b>				
© 2005 Parker Hannifin Corporation				