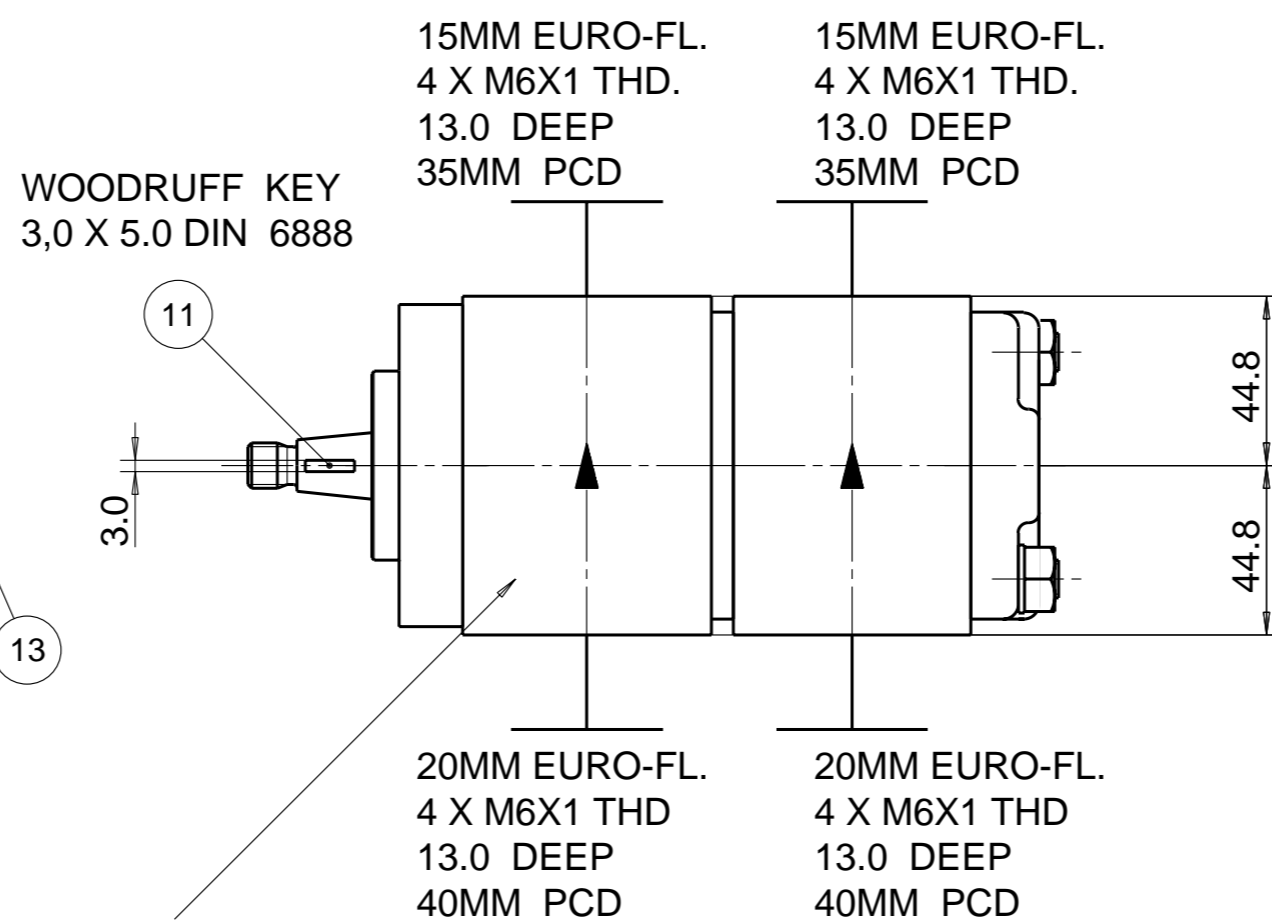
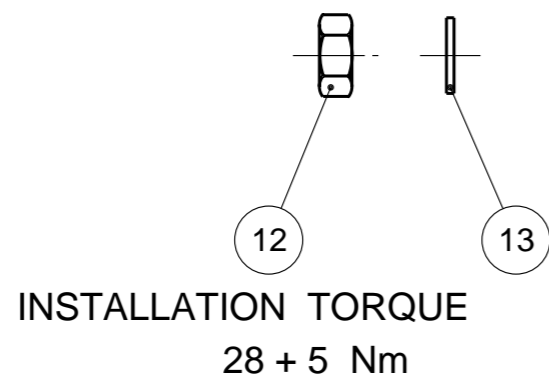
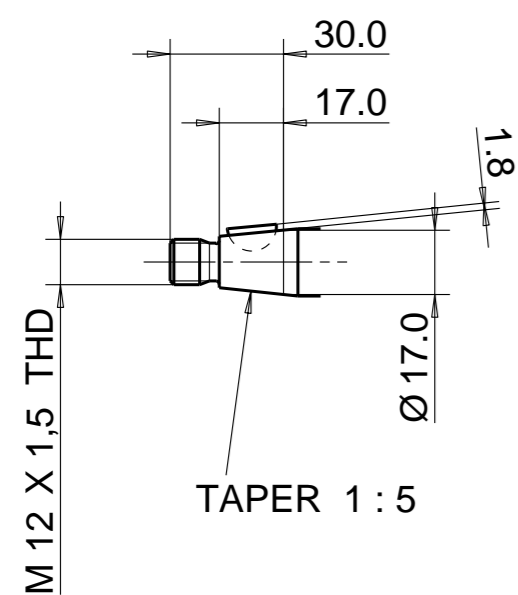
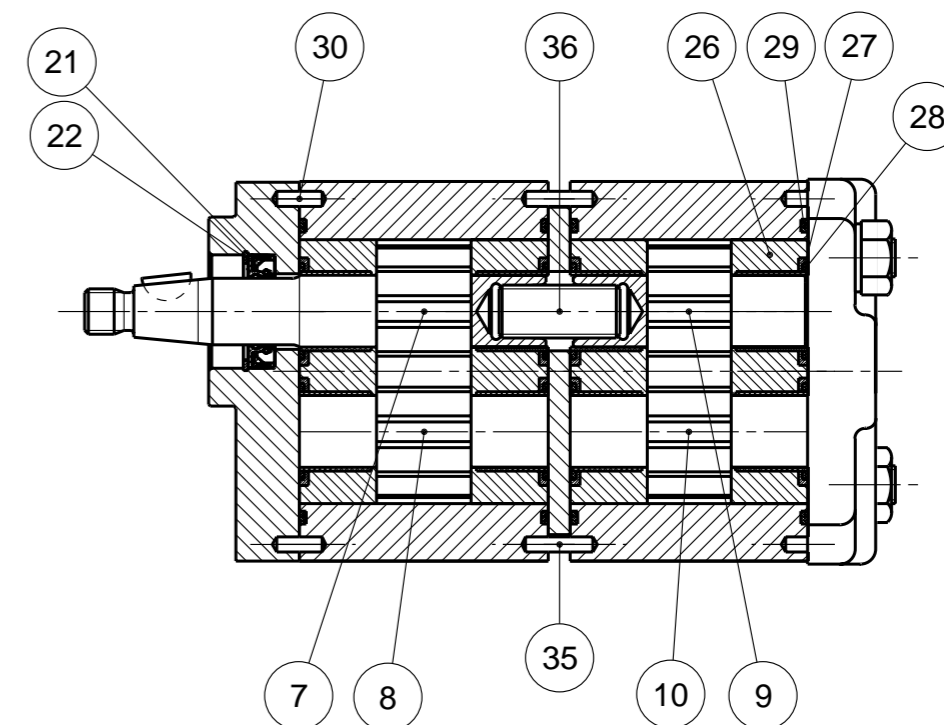


PUMP DATA	FRONT PUMP	REAR PUMP
DISPLACEMENT	16,0 ccm	14,0 ccm
MAX. PRESSURE	250 bar	250 bar
SPEED RATE	500 min <sup>-1</sup>	TO 3000 min <sup>-1</sup>
MAX. INPUT SHAFT TORQUE	193 Nm	
ROTATION	ANTI CLOCKWISE	



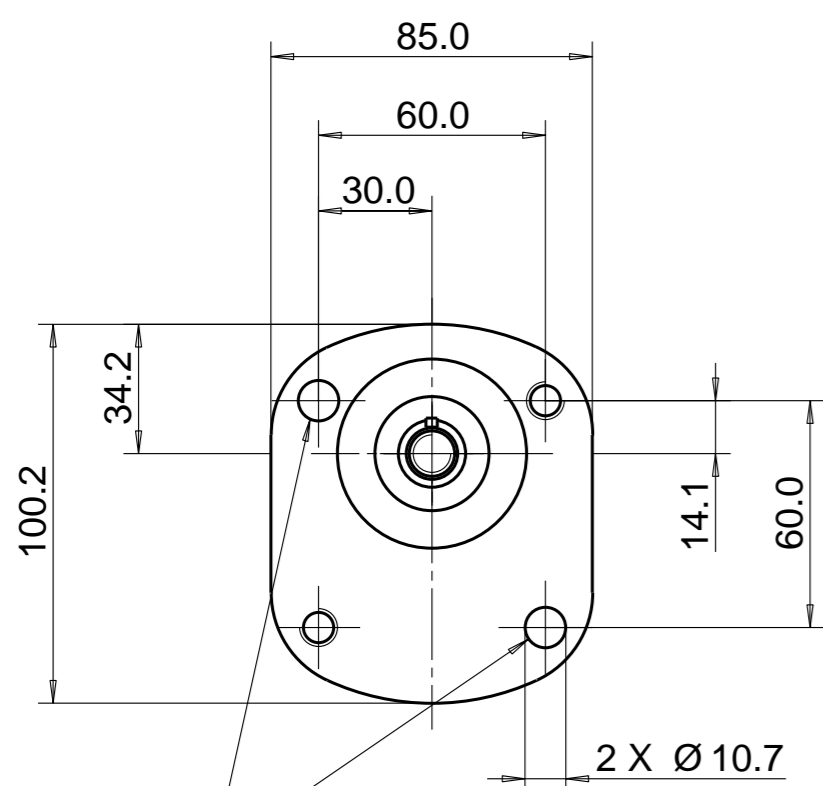
UNIT IDENTIFICATION  
(NAMEPLATE)  
ON END COVER  
OR ON GEAR HOUSING



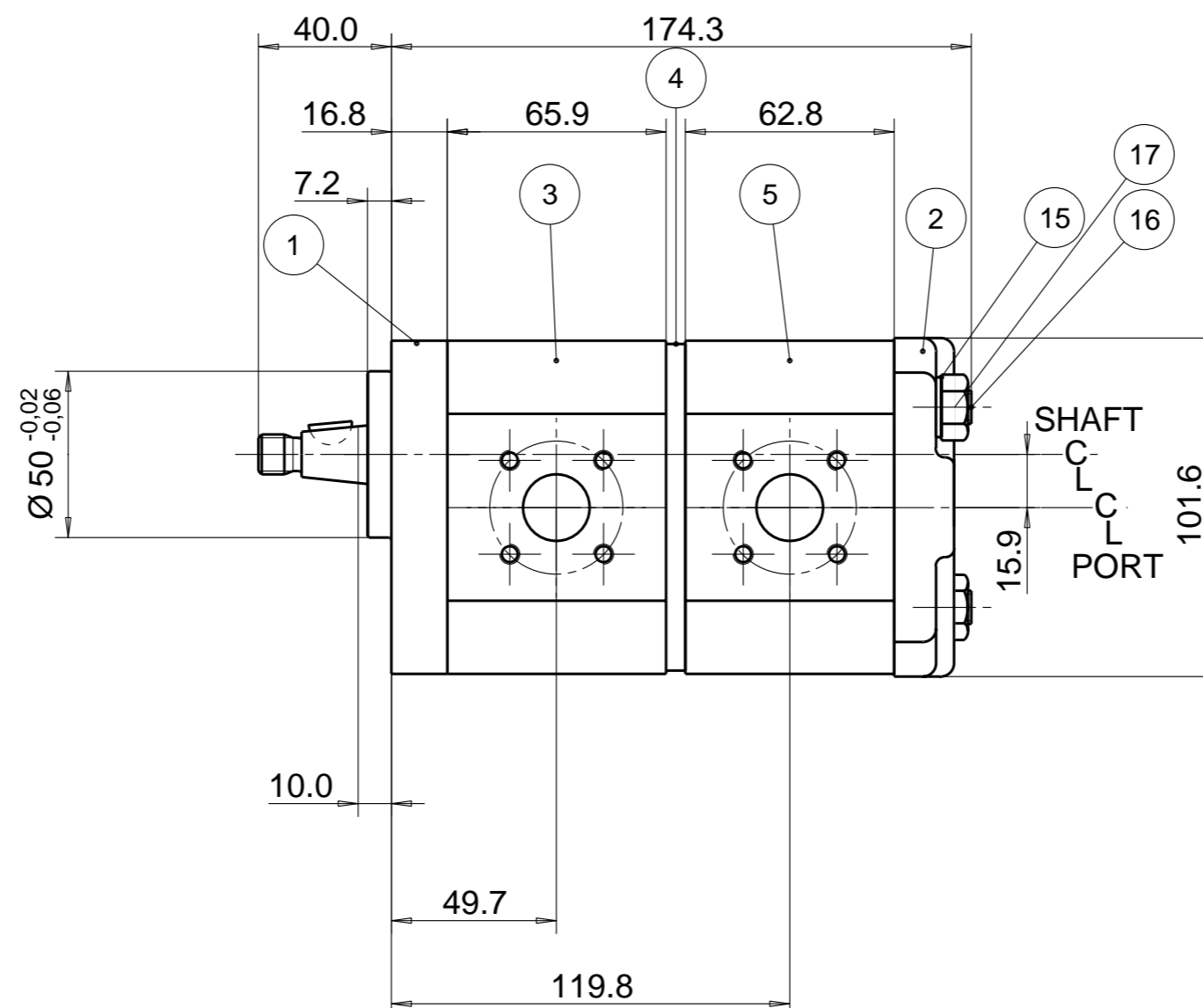
**NOTE**

1 FOR ASSEMBLY INSTRUCTIONS SEE DWG. NO. "511-B1"  
"PGP511 PUMP ASSEMBLY INSTRUCTIONS".

ITEM	PART NO	REQD	ITEM	PART NO	REQD		
28	8611-015-000	4	SEAL. BK-UP	36	332 1133 001	1	SHAFT,CONN
27	8611-016-00R	4	SEAL. CHAN.	35	391 2080 079	2	PIN, DOWEL
26	8898-207-00U	4	THRBLK/BSHG	34			
25				33			
24				32			
23				31			
22	9211-323-00B	1	RING, SNAP	30	391 2080 078	2	PIN. DOWEL
21	8301-019-00K	1	SEAL. LIP	29	9313-145-00B	4	SEAL. SECT.



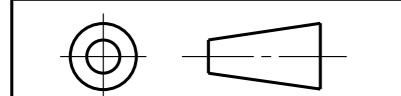
MOUNTING HOLES  
2 X M10 - 8.8  
TORQUE 42+5 Nm



ITEM	PART NO	REQ'D	DESCRIPTION
20			
19			
18			
17	391 1451 167	2	NUT
16	391 1425 565	2	FASTENER (173mm)
15	391 3782 231	2	WASHER
14			
13	391 3782 259	1	WASHER
12	391 1451 160	1	NUT
11	391 1781 099	1	KEY
10	334 2714 000	1	DRIVEN GEAR
9	334 2614 000	1	DRIVE GEAR
8	334 2716 000	1	DRIVEN GEAR
7	334 1916 600	1	DRIVE GEAR
6			
5	334 8114 901	1	HOUSING. GEAR
4	391 2183 232	1	PLATE, MID
3	334 8116 901	1	HOUSING. GEAR
2	334 3000 100	1	HOUSING. PEC
1	334 5051 202	1	HOUSING. SEC

B1

THIRD ANGLE PROJECTION



EXP NO.

FIRST USED

01 - 06 - 953

334 9122 017

DWG REDRAWN

B1 334 3000 100 WAS 332 3000 100

SYM. REVISIONS 10DEC10 WS 10-12-925

THIS DOCUMENT CONTAINS INFORMATION THAT IS CONFIDENTIAL AND PROPRIETARY TO PARKER-HANNIFIN CORPORATION ("PARKER"). THIS DOCUMENT IS FURNISHED ON THE UNDERSTANDING THAT THE DOCUMENT AND THE INFORMATION IT CONTAINS WILL NOT BE COPIED OR DISCLOSED TO OTHERS OR USED FOR ANY PURPOSE OTHER THAN CONDUCTING BUSINESS WITH PARKER, AND WILL BE RETURNED AND ALL FURTHER USE DISCONTINUED UPON REQUEST BY PARKER. ALL RIGHTS RESERVED.

PGP511B0160AS1Q4NJ7J5S-511A0140XJ7J5B1B1

MATERIAL

ADM CTR P

REV DTE 10DEC10

H.E.-STD:

WT 4.69 kg

DIMENSIONS ARE MM

**Parker** Pump & Motor Division  
Chemnitz

DR. BY DATE CH. BY DATE SCALE  
WS 10DEC10 JS 10DEC10 1/2

**334 9122 017**

© 2010 Parker Hannifin Corporation