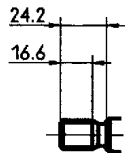
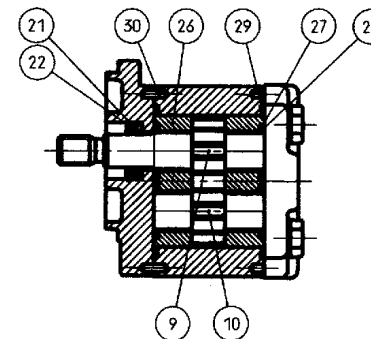
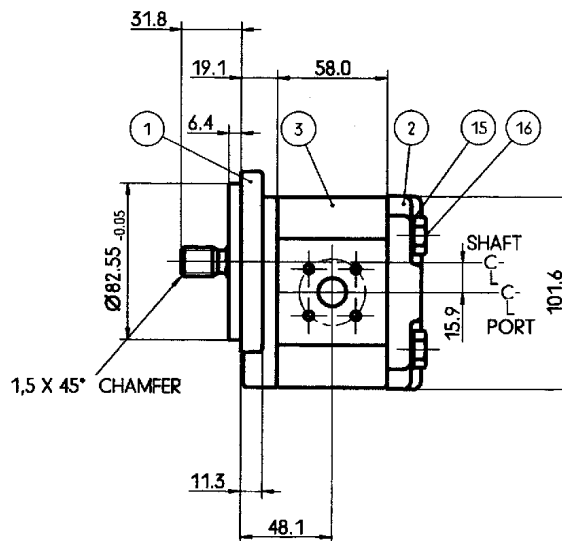
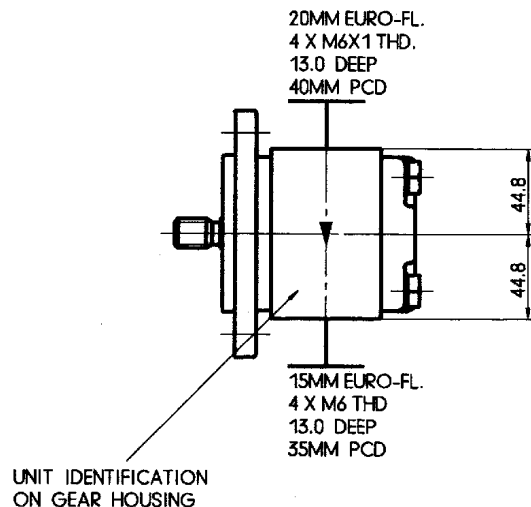
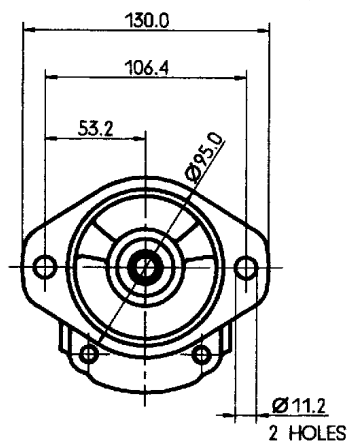


PUMP DATA	
DISPLACEMENT	11,0 ccm
MAX. CONT. PRESSURE	250 bar
SPEED RATE	500 TO 3500 min ⁻¹
MAX. INPUT SHAFT TORQUE	86 NM
ROTATION	CLOCKWISE



SAE INVOLUTE SPLINE
9 TEETH - 16/32 PITCH
FLAT ROOT SIDE FIT
MAJOR DIA. 15.32 - 15.47
MINOR DIA. 12.281 MAX.



NOTE

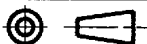
FOR ASSEMBLY INSTRUCTIONS SEE DWG. NO. "511-B1"
"PGP511 PUMP ASSEMBLY INSTRUCTIONS".

ITEM	PART NO	REQD	ITEM	PART NO	REQD
28	8611-015-000	2	SEAL. BK-UP	36	
27	8611-016-00R	2	SEAL. CHAN.	35	
26	8898-207-00U	2	THRBLK/BSHG	34	
25				33	
24				32	
23				31	
22	9211-323-00B	1	RING, SNAP	30	391 2080 078 2
21	8301-019-00K	1	SEAL. LIP	29	9313-145-00B 2

BOM. COMPONENT

ITEM	PART NO	REQD	DESCRIPTION
20	SEE ABOVE	1	BOM. COMPONENT
19			
18			
17			
16	391 1401 856	4	SCREW (88 MM)
15	391 3782 231	4	WASHER
14			
13			
12			
11			
10	334 2711 000	1	DRIVEN GEAR
9	1PXG110MS1A1U	1	DRIVE GEAR
8			
7			
6			
5			
4			
3	334 8111 901	1	HOUSING. GEAR
2	332 3000 100	1	HOUSING. PEC
1	334 5021 202	1	HOUSING. SEC

THIRD ANGLE PROJECTION



EXP. NO.

FIRST USED

01 - 05 - 948/3

334 9111 094

SYM. REVISIONS

THIS DOCUMENT CONTAINS INFORMATION THAT IS CONFIDENTIAL AND PROPRIETARY TO PARKER HANNIFIN CORPORATION (HEREIN). THIS DOCUMENT IS FURNISHED ON THE UNDERSTANDING THAT THE DOCUMENT AND INFORMATION WILL BE NOT COPIED OR DISCLOSED TO OTHERS OR USED FOR ANY PURPOSE OTHER THAN CONDUCTING BUSINESS WITH PARKER. ALL RIGHTS RESERVED. AND WILL BE RETURNED AND ALL FURTHER USE DISCONTINUED UPON REQUEST BY PARKER.

PGP511A0110CA1H2N7J5B1B1

MATERIAL

ADM CTR P
REV DTE 000000
WT

H.E.-STD:

DIMENSIONS ARE MM



Hydraulic Controls Division
Sachsenhydraulik GmbH
Chemnitz

DR BY DATE WS 30MAY01 CH BY DATE KH 30MAY01 SCALE 1/2

334 9111 094

© 2001 Parker-Hannifin Corporation