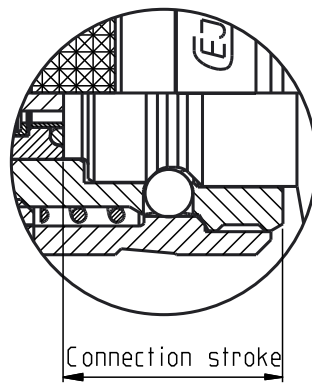
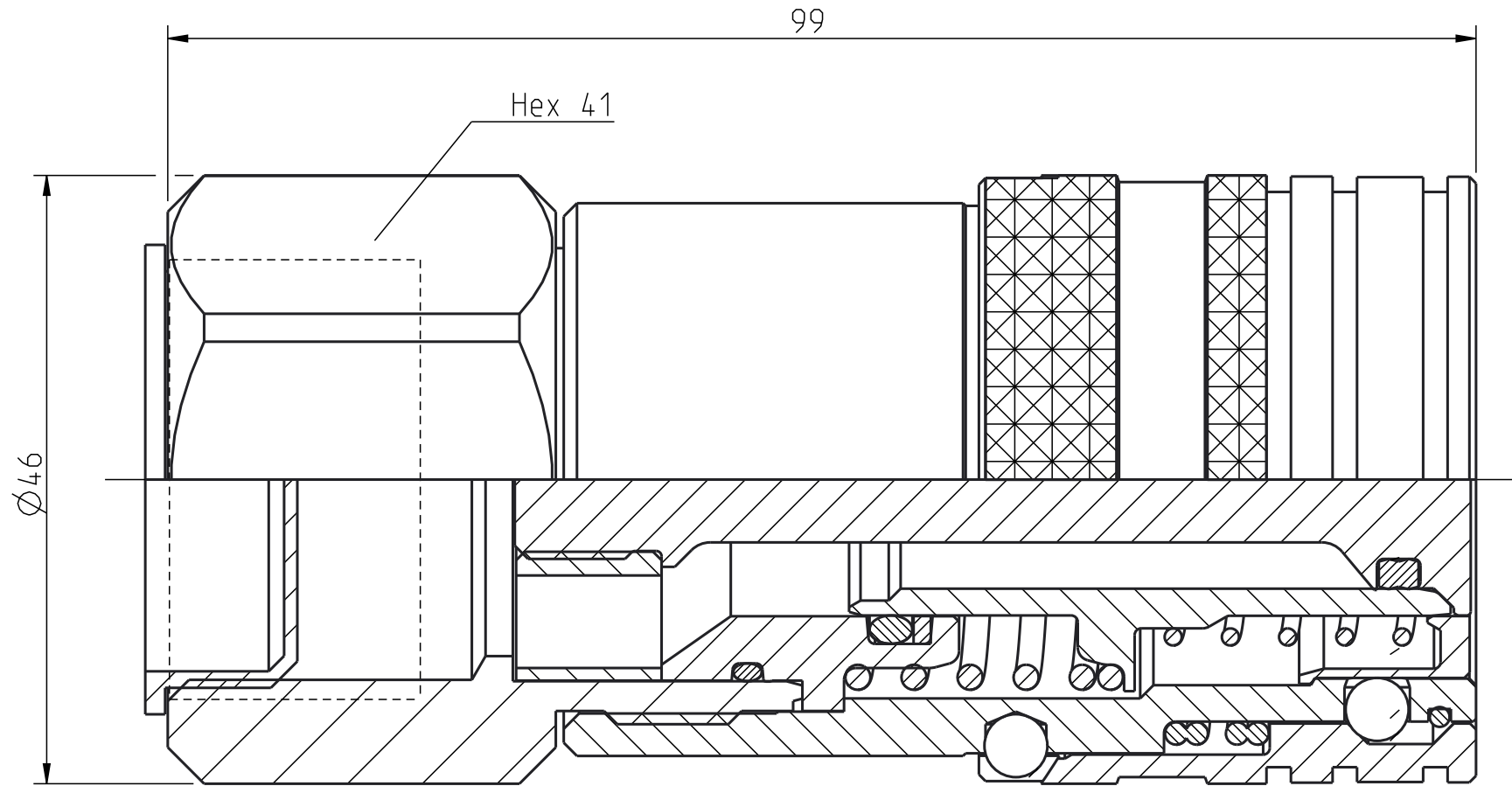
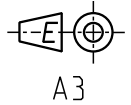


Alla rättigheter förbehålls.
 All rights reserved.
 Alle rechte vorbehalten.

Denna handling får ej utan vårt medgivande delges annan, kopieras eller eljest obehörigen användas.
 Överrättelse härvid beivras med stöd av gällande lag.
 This document must not be copied, either completely or in part, without permission.
 Any infringement will have legal consequences.



| | | |
|----------------------------|-----------------|------------------|
| Product no: 10_765_1203 | | |
| Max working pressure: | 400 | bar connected |
| | 400 | bar disconnected |
| Min burst pressure: | 1200 | bar connected |
| | 1200 | bar disconnected |
| Sealing material: | NBR | |
| Temperatur range: | -30°C - +100 °C | |
| Nominal flow diameter, DN: | 19 | mm |
| Connection | G 1" Fem | |
| Connection stroke: | 21.5 | mm |

| | | | |
|----|----|-------------------|-----------------------|
| 18 | 1 | Wire coil | Steel |
| 17 | 1 | Valve stop | Steel, Fe/Zn 8 P1 |
| 16 | 1 | Valve sleeve | Steel, Zi-Ni 9 T |
| 15 | 1 | Valve seat | Steel, Fe/Zn 8 P1 |
| 14 | 1 | Valve opener | Steel, Fe/Zn 5 P1 |
| 13 | 1 | Thread protection | Plastic |
| 12 | 1 | Spring | Steel |
| 11 | 1 | Spring | Steel |
| 10 | 1 | Spring | Steel |
| 9 | 1 | Ratchet sleeve | Steel, Zn-Ni 9 transp |
| 8 | 1 | O-ring | NBR |
| 7 | 1 | O-ring | NBR |
| 6 | 1 | Locking sleeve | Steel, Zn-Ni 10 black |
| 5 | 1 | Front part | Steel, Zn-Ni 9 transp |
| 4 | 1 | Dualseal | PUR |
| 3 | 16 | Ball | Stainless steel |
| 2 | 1 | Backup ring | Plastic |
| 1 | 1 | Back part | Steel, Zn-Ni 9 transp |

| Detalj Item | Antal Quant. | Benämning Description | Material Material |
|-------------------------|--------------|-----------------------|-------------------|
| Skala Scale | | 2:1 | |
| Ritad Drawn | | C ABJOER | |
| Kontrollerad Checked | | - | |
| Godkännat Appr. | | - | |
| Äm nr. Alt. no. | | - | |
| Datum Date | | 13-08-05 | |
| Ritning nr./Drawing No. | | | 50_765_1203 |
| Utg./Issue | | | AC |



Assembly drawing

50_765_1203

AC