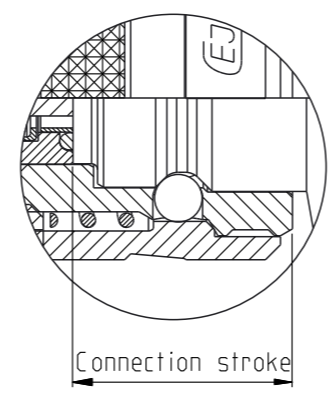
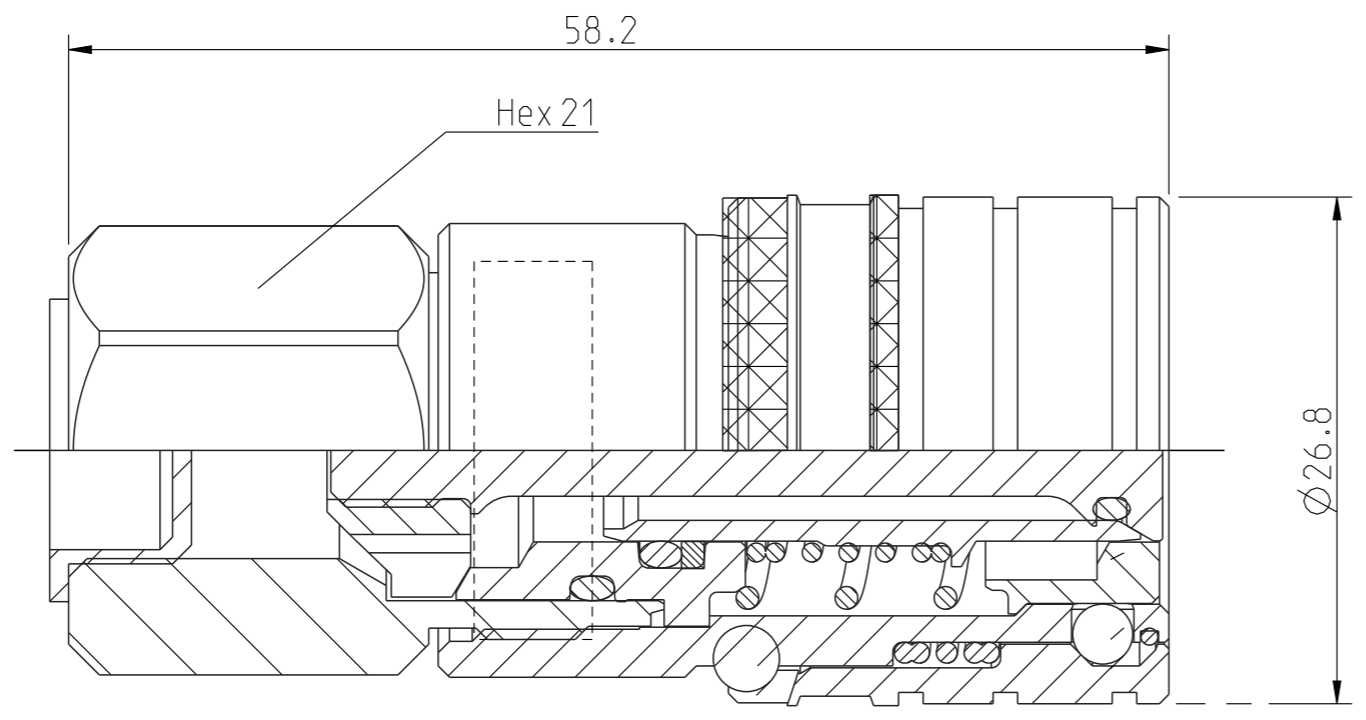
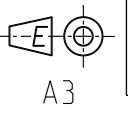


Alla rättigheter förbehålls.  
 All rights reserved.  
 Alle Rechte vorbehalten.  
 Diese Zeichnung darf weder ganz noch teilweise ohne unsere ausdrückliche Genehmigung kopiert oder auf andere Weise vervielfältigt werden. Werden. Zuwiderhandlungen werden gerichtlich verfolgt.

Denna handling förbehålls.  
 This document must not be copied, either completely or in part, without permission.  
 Any infringement will have legal consequences.



Product no: 10_265_1202		
Max working pressure:	500	bar connected
	500	bar disconnected
Min burst pressure:	1500	bar connected
	1500	bar disconnected
Sealing material:	NBR	
Temperatur range:	-30°C - +100 °C	
Nominal flow diameter, DN:	6.3	mm
Connection	G 1/4" Fem	
Connection stroke:	10.8	mm

19	1	Wire coil	Stainless steel
18	1	Valve stop	Steel, Fe/Zn 8 P1
17	1	Valve sleeve	Steel, Zi 8 Silver
16	1	Valve seat	Steel, Fe/Zn 8 P1
15	1	Valve opener	Steel, Fe/Zn 5 P1
14	1	Thread protection	Plastic
13	1	Spring	Stainless steel
12	1	Spring	Stainless steel
11	1	Spring	Stainless steel
10	1	Ratchet sleeve	Steel, Zn-Ni 9 transp
9	1	O-ring	NBR
8	1	O-ring	NBR
7	1	O-ring	NBR
6	1	Locking sleeve	Steel, Zn-Ni 10 black
5	1	Front Part	Steel, Zn-Ni 9 Transp
4	12	Ball	Stainless steel
3	1	Ball	Stainless steel
2	1	Backup ring	Hytrel
1	1	Back part	Steel, Zn-Ni

Detalj Item	Antal Quant.	Benämning Description	Material Material
Skala Scale		5:2	Ritad Drawn
Godk. Appr.		MAh	AM nr. ALT. no.
Kontroll Checked		JoEr	Dat. Date
Kontroll Checked		MAh	10-04-13
Ritning nr./Drawing No.			Utg./Issue
50_265_1202			AC



Assembly drawing

50\_265\_1202

AC