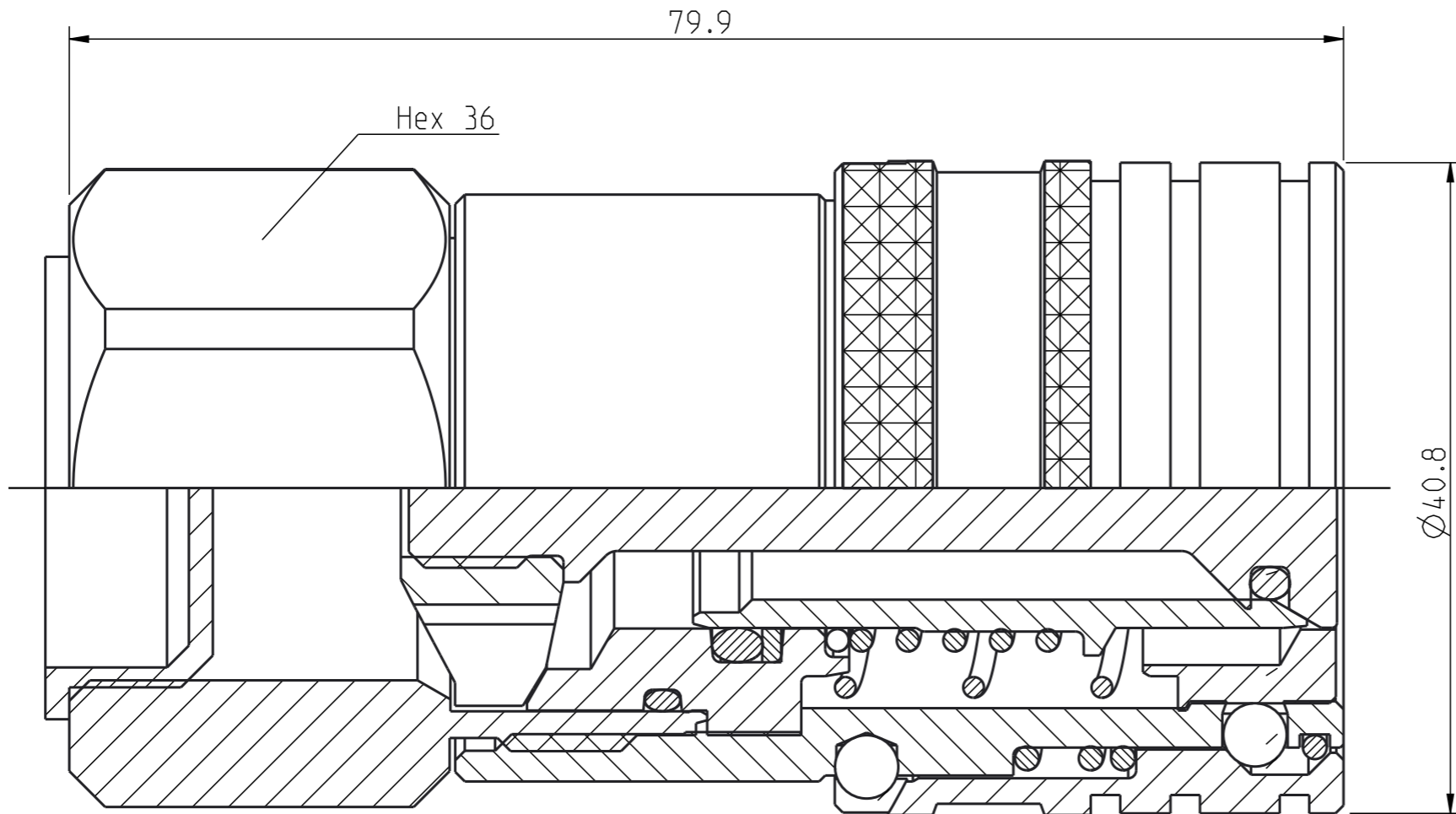


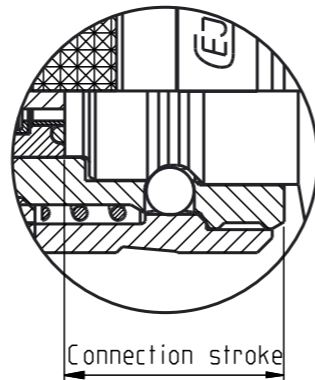
Alla rättigheter förbehålls.  
 All rights reserved.  
 Diese Zeichnung darf weder ganz noch teilweise ohne unsere ausdrückliche Genehmigung kopiert oder auf andere Weise vervielfältigt werden.  
 werden. Zuwiderhandlungen werden gerichtlich verfolgt.  
 Alle rechte vorbehalten.

Denna handling förbehåller alla rättigheter.  
 All rights reserved.  
 This document must not be copied, either completely or in part, without permission.  
 Any infringement will have legal consequences.



18	1	Wire coil	Stainless steel
17	1	Valve stop	Steel, Fe/Zn 8 P1
16	1	Valve sleeve	Steel, Plated
15	1	Valve seat	Steel, Fe/Zn 8 P1
14	1	Valve opener	Steel, Fe/Zn 5 P1
13	1	Thread protection	Plastic
12	1	Spring	Stainless steel
11	1	Spring	Stainless steel
10	1	Spring	Stainless steel
9	1	Ratchet sleeve	Steel, Zn-Ni 9 transp
8	1	O-ring	NBR
7	1	O-ring	NBR
6	1	O-ring	NBR
5	1	Locking sleeve	Steel, Zn-Ni 10 black
4	1	Front part	Steel, Zn-Ni 9 transp
3	16	Ball	Stainless steel
2	1	Backup ring	Plastic
1	1	Back part	Steel, Zn-Ni 9 transp
Detalj Item	Antal Quant.	Benämning Description	Material Material

Product no: 10_665_1201		
Max working pressure:	400	bar connected
	400	bar disconnected
Min burst pressure:	1200	bar connected
	1200	bar disconnected
Sealing material:	NBR	
Temperatur range:	-30°C - +100 °C	
Nominal flow diameter, DN:	16	mm
Connection	G 3/4" Fem	
Connection stroke:	17.5	mm



**CEJN**

Skala Scale	13:5	Ritad Drawn	CEJN ABPEOD	Kontr. Checked	-	Godk. Appr.	-	Äm nr. Alt. no.	-	Dat. Date	13-08-15
Assembly drawing							Ritning nr./Drawing No.		50_665_1201		
									Utg./Issue		
									AD		