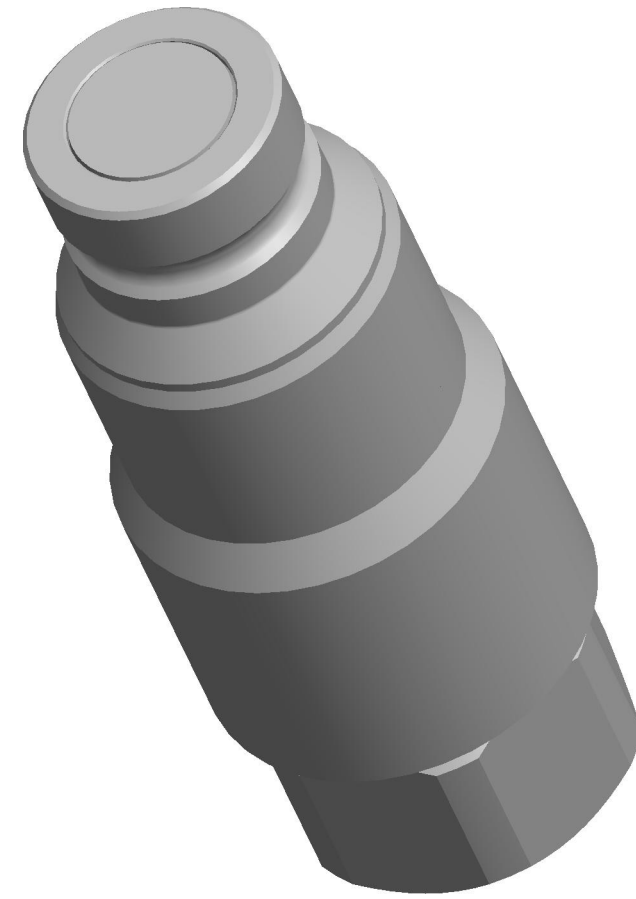
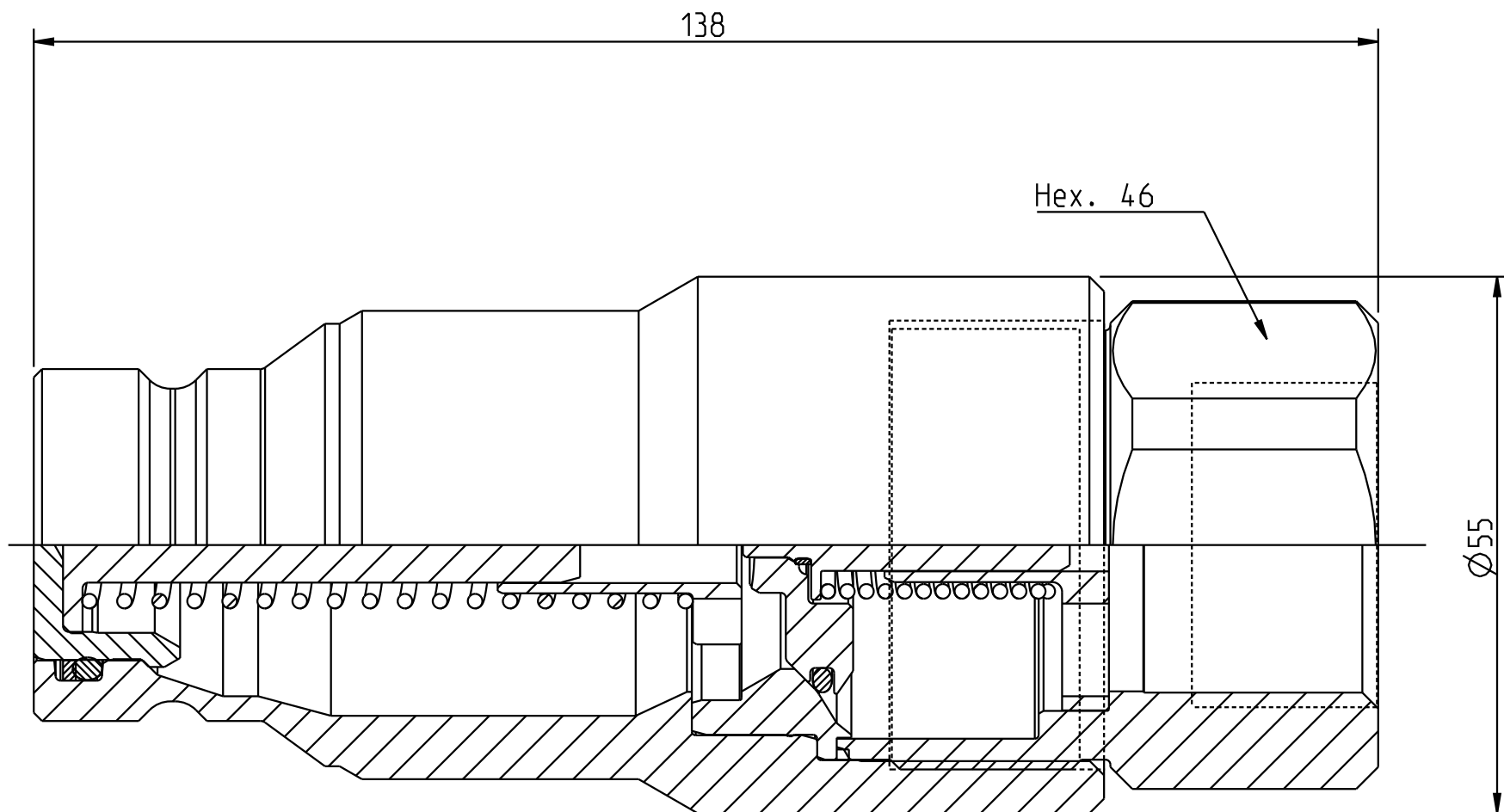
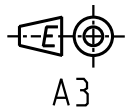


Alla rättigheter förbehålls.
 All rights reserved.
 Alle rechte vorbehalten.

Denna handling får ej utan vårt medgivande delges annan, kopieras eller eljest obehörigen användas.
 Överrättelse härvid beivras med stöd av gällande lag.
 This document must not be copied, either completely or in part, without permission.
 Any infringement will have legal consequences.



16	1	Valve stop	Steel
15	1	Valve stop	Brass
14	1	Valve seat	Steel
13	1	Valve pin	Steel
12	1	Valve pin	Aluminium
11	1	Valve	Steel, Ni5b silver
10	1	Valve	Steel
9	1	Spring	Stainless steel
8	1	Spring	Stainless steel
7	1	Seal	PUR
6	1	O-ring	NBR
5	1	O-ring	NBR
4	1	Nipple body	Steel, Zn 8 silver
3	1	Flat seal	Plastic
2	1	Backup ring	Plastic
1	1	Back part	Steel, Zn 8 silver
Detalj Item	Antal Quant.	Benämning Description	Material Material

Product no: 10_064_6203		
Max working pressure:	350	bar connected
	350	bar disconnected
Min burst pressure:	1200	bar connected
	1200	bar disconnected
Sealing material:	NBR	
Temperatur range:	-30°C - +100 °C	
Nominal flow diameter, DN:	25	mm
Connection	1" BSP Fem	
Connection stroke:	-	mm

CEJN	Skala Scale	3:2	Ritad Drawn	JoEr	Kontr. Checked	-	Godk. Appr.	-	M nr. Alt. no.	-	Dat. Date	120809
	Assembly drawing		Ritning nr./Drawing No.		50_064_6203		Utg./Issue		AB			