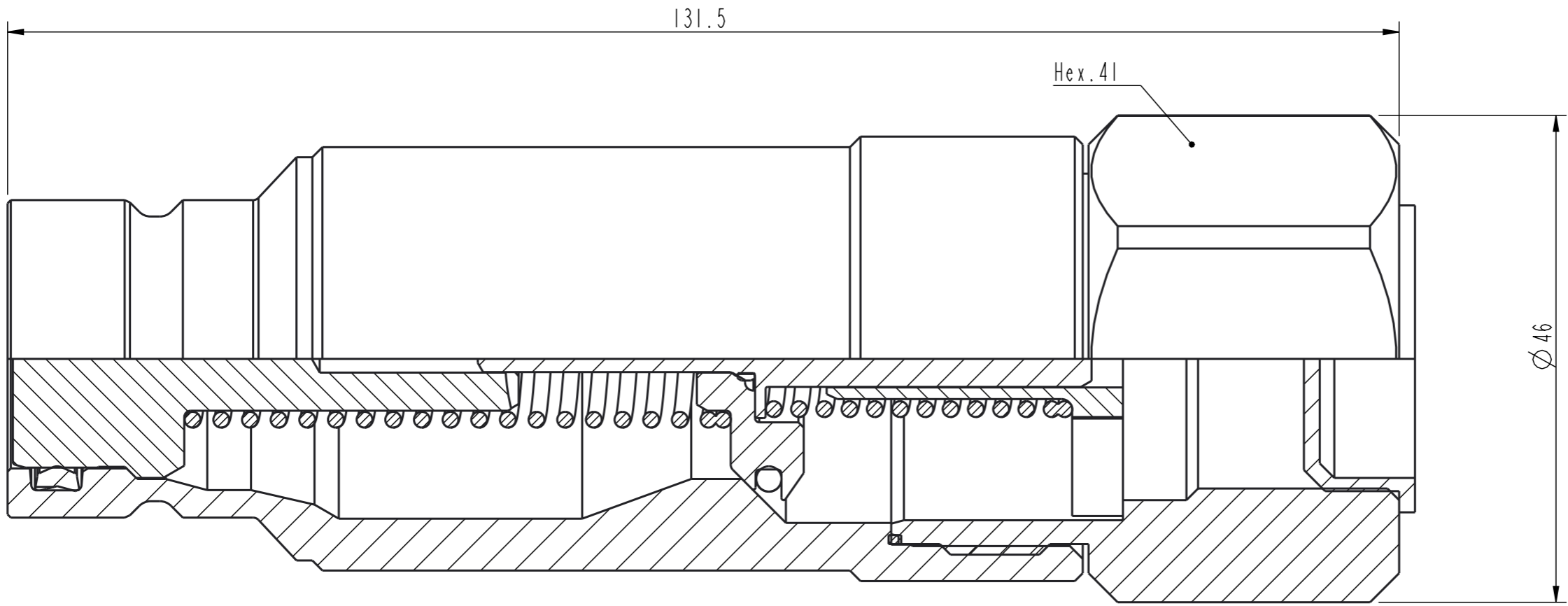


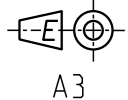
Diese Zeichnung darf weder ganz noch teilweise ohne unsere ausdrückliche Genehmigung kopiert oder auf andere Weise vervielfältigt werden. Alle Rechte vorbehalten.

Denna handling får ej utan vårt medgivande delges annan, kopieras eller eljest obehörigen användas. Överlåtelse härvid beivras med stöd av gällande lag. This document must not be copied, either completely or in part, without permission. Any infringement will have legal consequences.



Product no: 10_764_6201		
Max working pressure:	400	bar connected
	400	bar disconnected
Min burst pressure:	1200	bar connected
	1200	bar disconnected
Sealing material:	NBR	
Temperatur range:	-30°C - 100 °C	
Nominal flow diameter, DN:	19	mm
Connection	G 3/4" Fem	
Connection stroke:	21.5	mm

13	1	Valve stop	Brass
12	1	Valve pin	Steel
11	1	Valve	Steel
10	1	Valve	Brass, Ni 8, Silver
9	1	Thread protection	Plastic
8	1	Spring	Stainless steel
7	1	Spring	Stainless steel
6	1	Seal	PUR
5	1	Profile sealing	PUR
4	1	O-ring	NBR
3	1	Nipple body	Hardened steel Zn-Ni 9 tran
2	1	Flat seal	Plastic
1	1	Back part	Steel, Zn-Ni 9 transp
Detalj Item	Antal Quant.	Benämning Description	Material Material



<b>CEJN</b>	Skala Scale	2:1	Ritad Drawn	C ABPEOD	Kontr. Checked	JoEr	Godk. Appr.	PMB	Äm nr. Alt. no.	-	Dat. Date	13-02-20
	Assembly drawing							Ritning nr./Drawing No.		50_764_6201		Utg./Issue