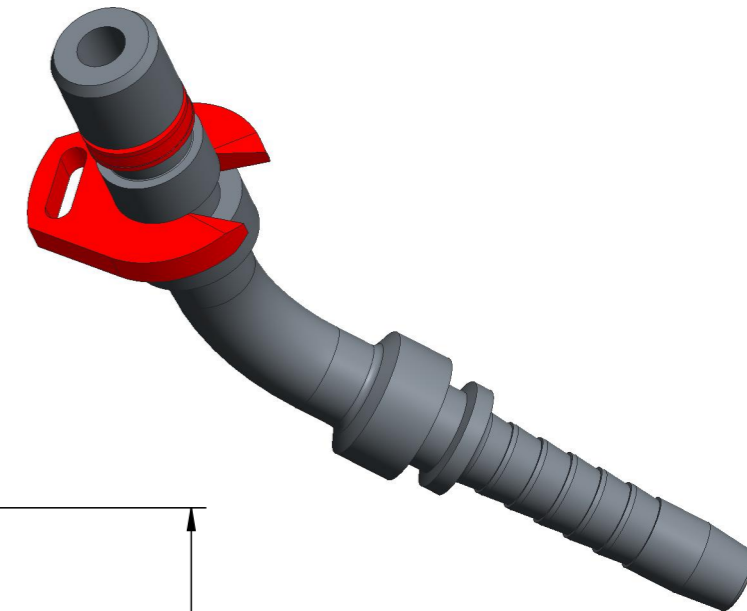
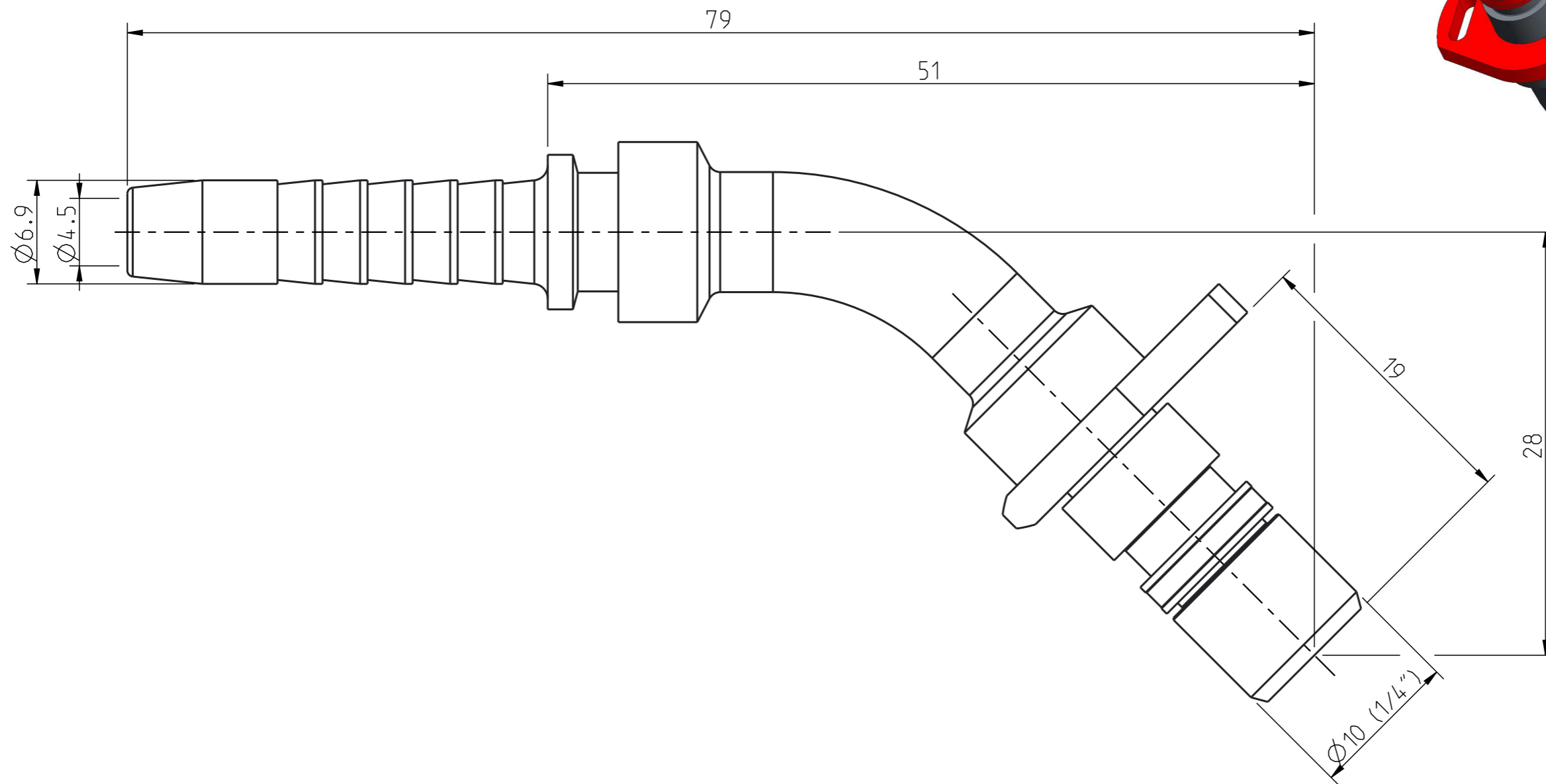
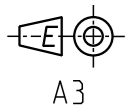


Alla rättigheter förbehålls.
 All rights reserved.
 Alle rechte vorbehalten.

Denna teckning får ej utan vårt medgivande delges annan, kopieras eller eljest obehörigen användas.
 This drawing must not be copied, either completely or in part, without permission.
 Any infringement will have legal consequences.



Product no: 14_712_0404

Max working pressure: 350 bar connected
 350 bar disconnected
 Min burst pressure: 1400 bar connected
 1400 bar disconnected

Sealing material:
 Temperatur range: -30°C - +100 °C
 Nominal flow diameter, DN: 4,5 mm
 Connection: Hose 1/4" 6,9mm
 Connection stroke: 19 mm

3	1	Release ring	POM
2	1	Nipple body	Steel
1	1	Assembly stop	POM
Detalj Item	Antal Quant.	Benämning Description	Material Material

CEJN	Skala Scale	3:1	Ritad Drawn	CE ABPEOD	Kontr. Checked	MBa	Godk. Appr.	PMB	Äm nr. Alt. no.	4649	Dat. Date	13-08-27
	Assembly drawing		Ritning nr./Drawing No.			50_712_0404		Utg./Issue		AA		