

INSTRUCTION FOR MODIFICATION OF MOBILE DIRECTIONAL CONTROL VALE L90LS

Hand Lever Housing Kit Part Number: 78034004

The hand lever housing kits are replaced by a modified version. However, the current valve configurations must not be updated. As the previous and new cap is interchangeable

Written by Paul Wiegand GmbH
at 04.02.2022

Index

1	General Information.....	4
1.1	Work Section	4
1.1.1	Electrohydraulic Spool Actuator with Hand Lever	4
1.1.2	Section View	5
1.1.3	Comparison of Overall Design (CH cap A-side):	6
1.2	Scope of Delivery.....	7
1.2.1	Hand Lever Housing Kit	7
1.3	Assembly Information	8
1.3.1	Electrohydraulic Spool Actuator, B-Side.....	8
1.3.2	Lever housing Cap A-side	8
2	Required Tools.....	10
3	Disassembling.....	11
3.1	Lever housing Cap A-side.....	11
3.2	Electrohydraulic Spool Actuator, B-Side.....	11
3.3	Spool.....	12
3.4	Spool End Tap.....	12
4	Assembling of new CH cap, A-side	13
4.1	New Spool End Tap.....	13
4.2	Spool.....	13
4.3	Lever Housing Cap A-Side.....	14
4.4	Electrohydraulic Spool Actuator, B-Side.....	14
5	Reference	15

Safety Instructions

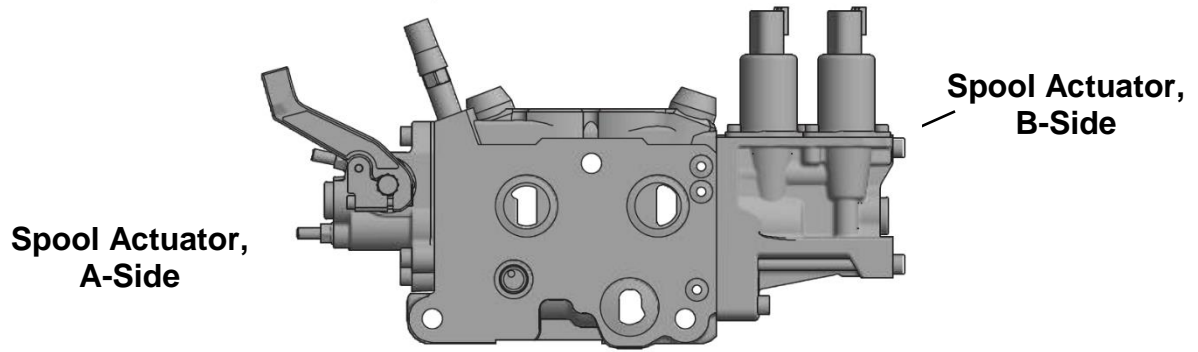


- *Repair work may only be carried out by qualified personnel.*
- *Before maintenance/repair work, check that the hydraulic system is depressurized. Leakage of pressurized hydraulic oil can cause serious injury.*
- *Check the temperature of the hydraulic oil before maintenance/repair work. Excessive temperature of the hydraulic oil can cause serious burns.*
- *Before repair work, clean the control block and the installation site carefully.*
- *Follow safety rules with the handling of electrical voltage.*
- *Follow protective measures during maintenance of the vehicle (see manufacturer's instructions).*

1 General Information

1.1 Work Section

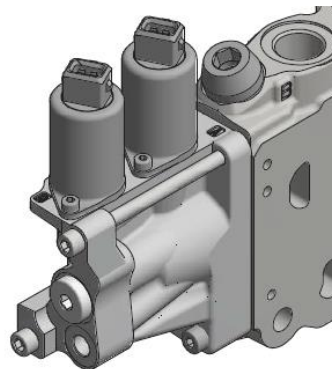
1.1.1 Electrohydraulic Spool Actuator with Hand Lever



1-1: Electrohydraulic spool actuator with hand lever

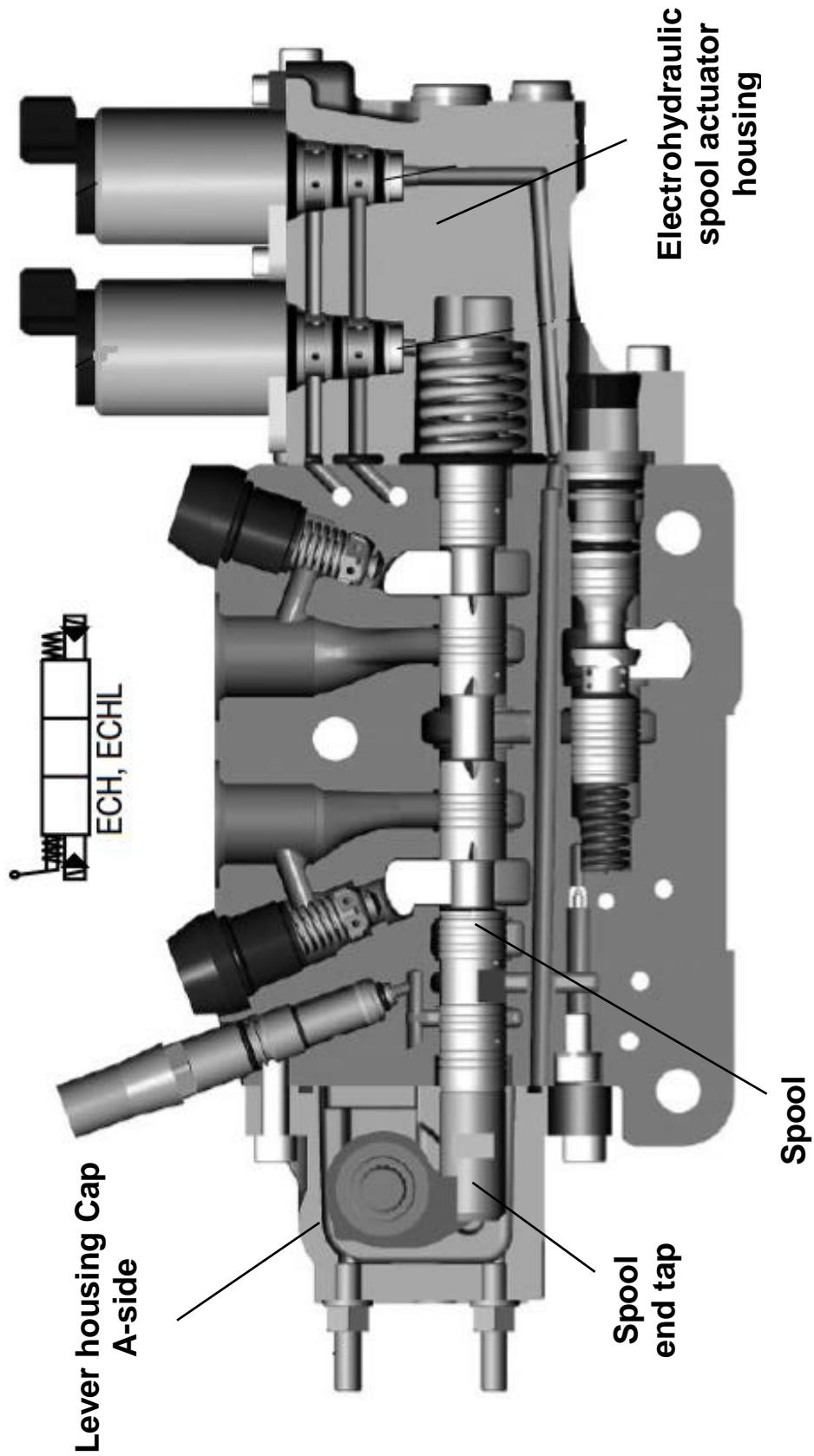


1-2: Spool actuator with hand lever, A-Side

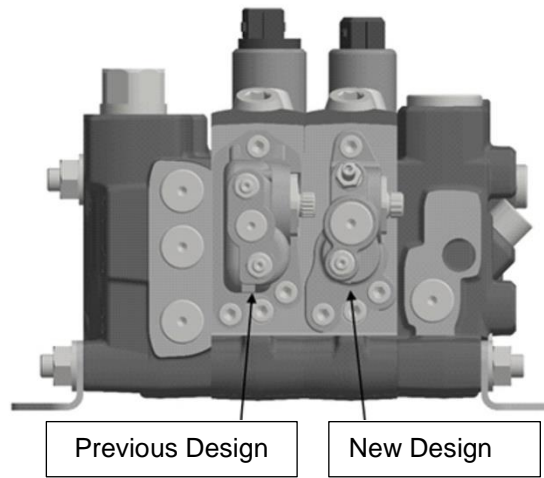


1-3: Electrohydraulic spool actuator, B-Side

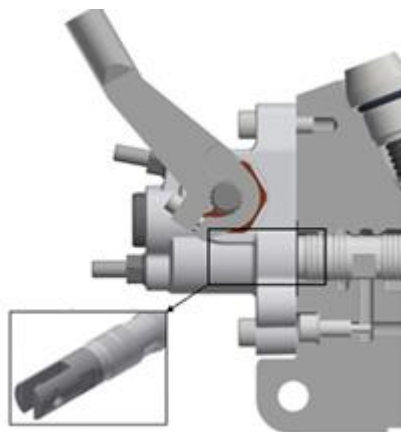
1.1.2 Section View



1.1.3 Comparison of Overall Design (CH cap A-side):

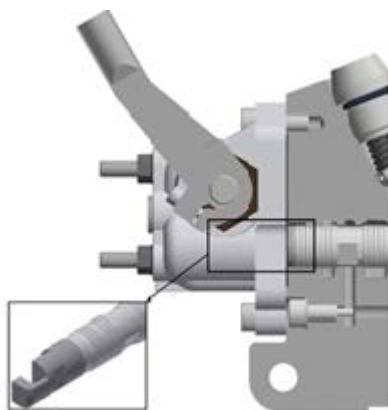


1-4: CH Cap A-Side



New Spool End Tap

1-5: New design CH cap A-side



Previous Spool End Tap

1-6: Previous design CH cap A-side:

1.2 Scope of Delivery

1.2.1 Hand Lever Housing Kit

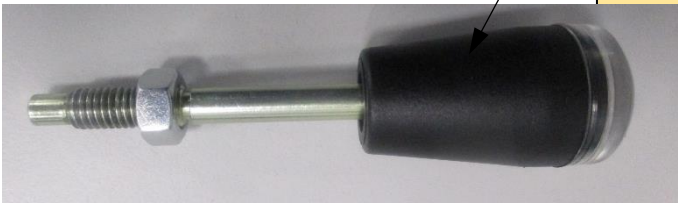


Seal kit (Art. No.: 78034156) is included in the hand lever housing kit.



The **hand lever kit** is not included in the scope of delivery.

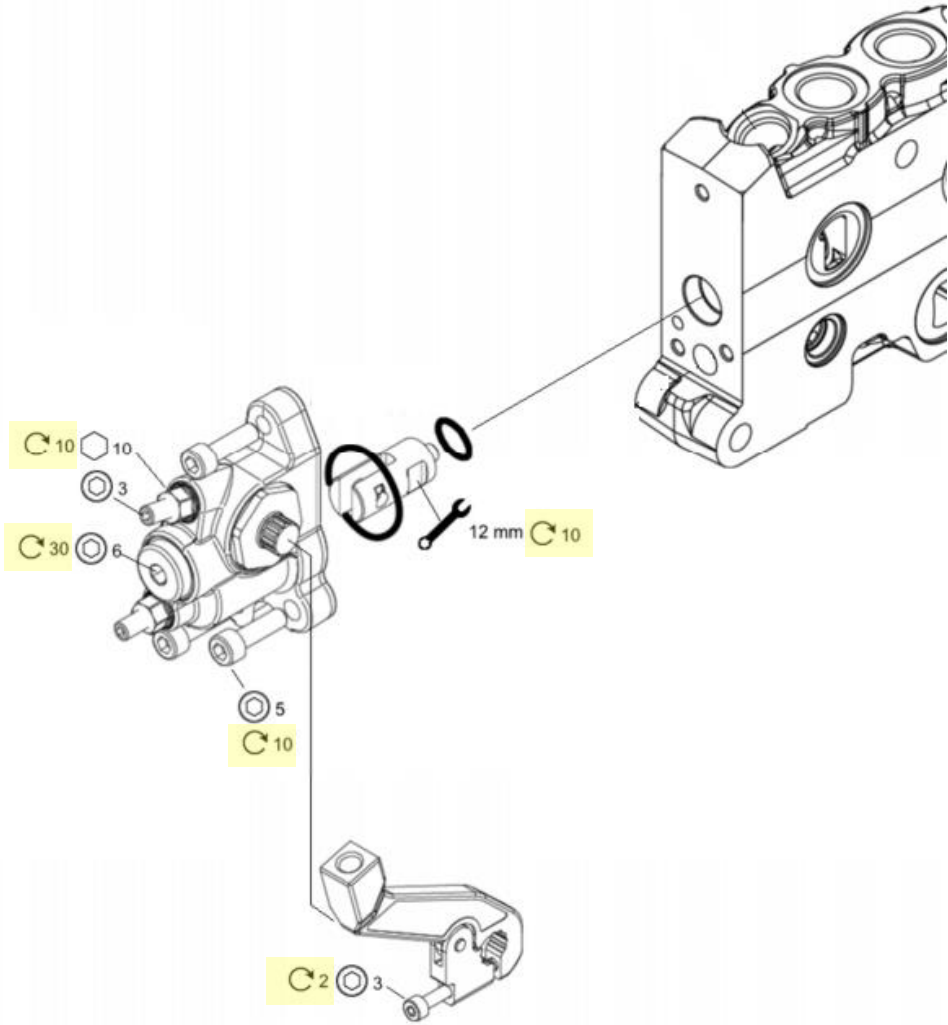
Lower part Art. No.: 78034051
Upper part with window Art. No.: 78034054
Further versions can be found in the Parker catalog "Mobile Valves Accessories" (Reference).



1.3 Assembly Information

1.3.1 Lever housing Cap A-side

Fastening torque

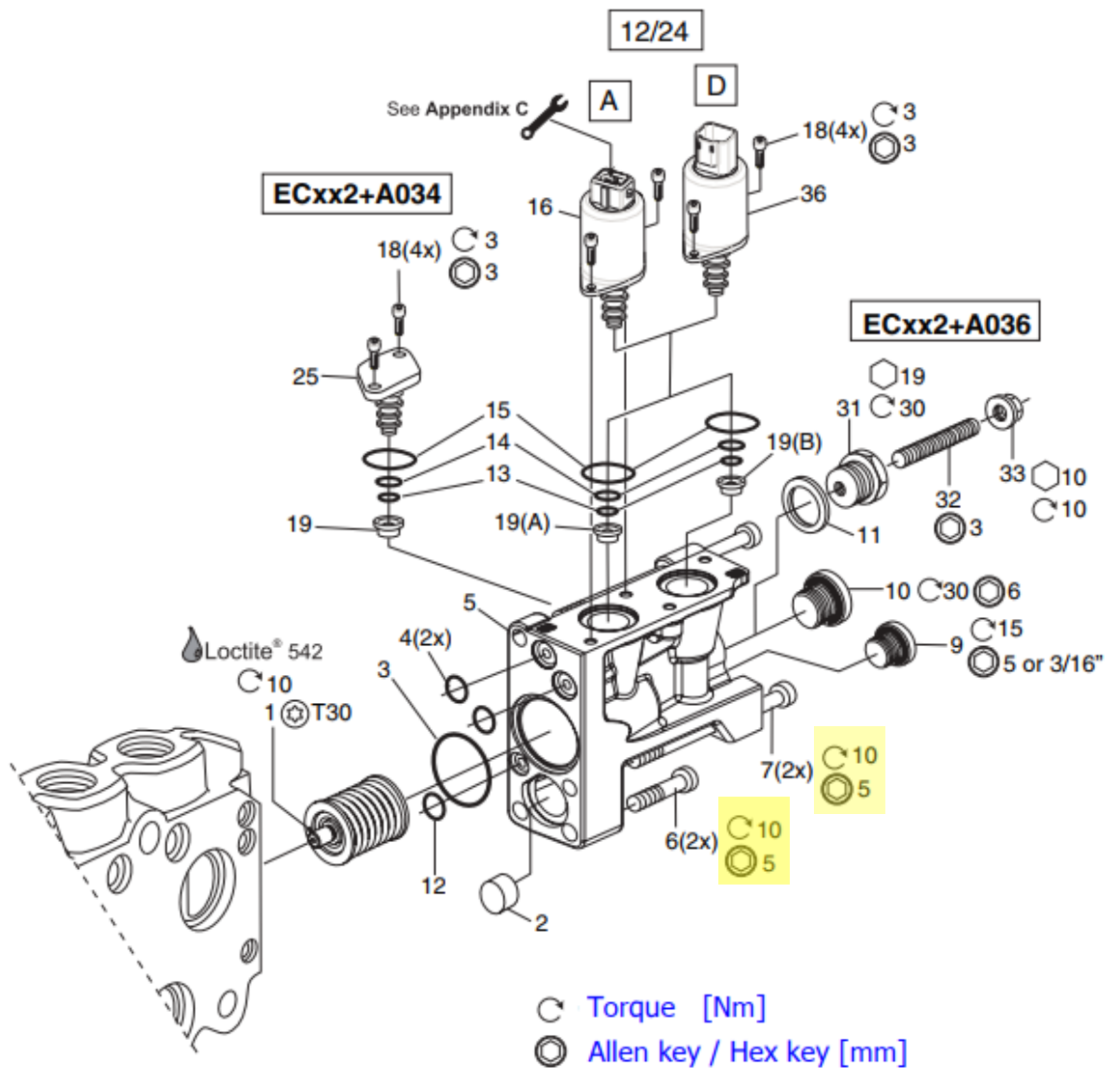


C Torque [Nm]
⊙ Allen key / Hex key [mm]

1.3.2 Electrohydraulic Spool Actuator, B-Side

Fastening torque

EC2, ECH2, ECHL2, ECS2, ECP2, ECSP2, A, D, 12, 24, A034, A036



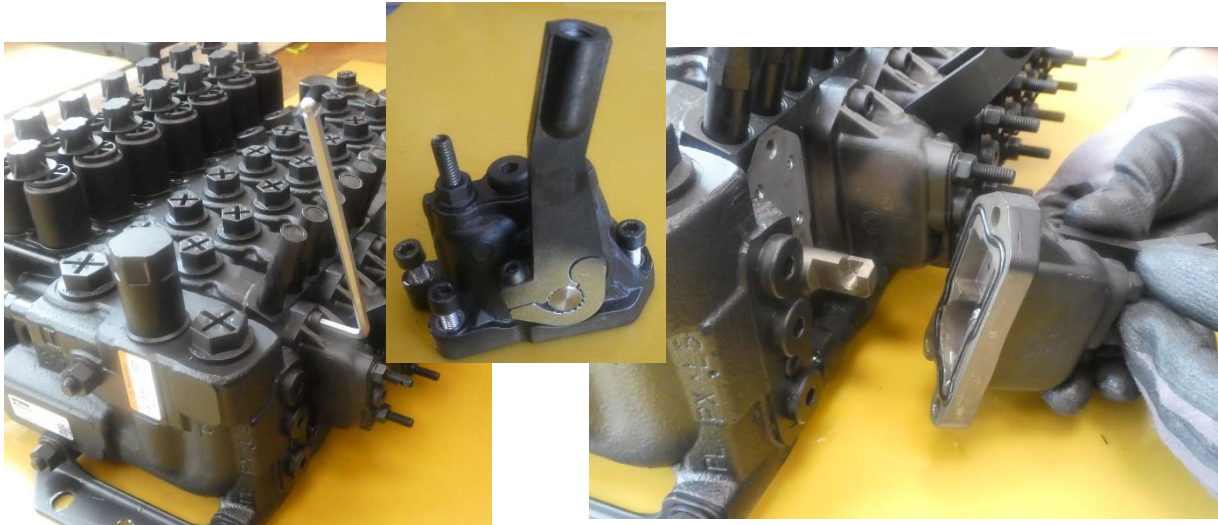
2 Required Tools



2-1: Required tools

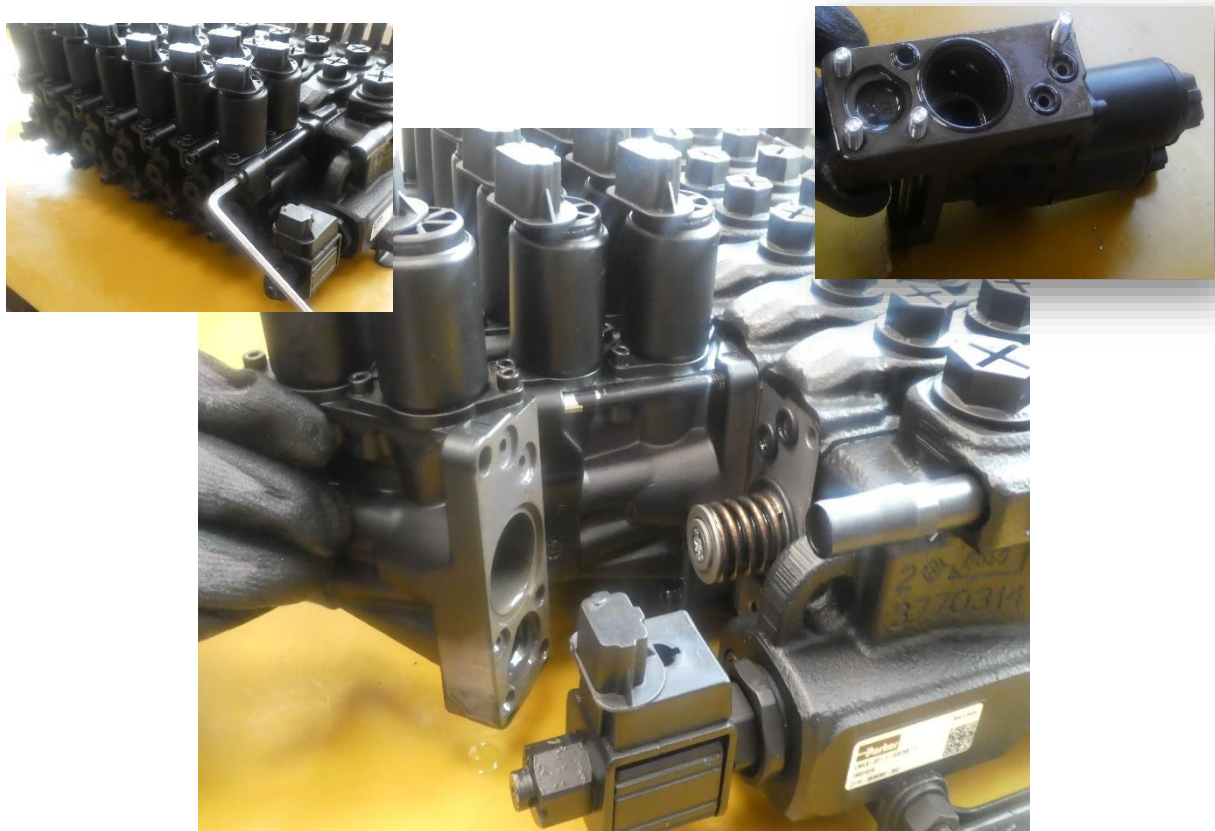
3 Disassembling

3.1 Lever housing Cap A-side



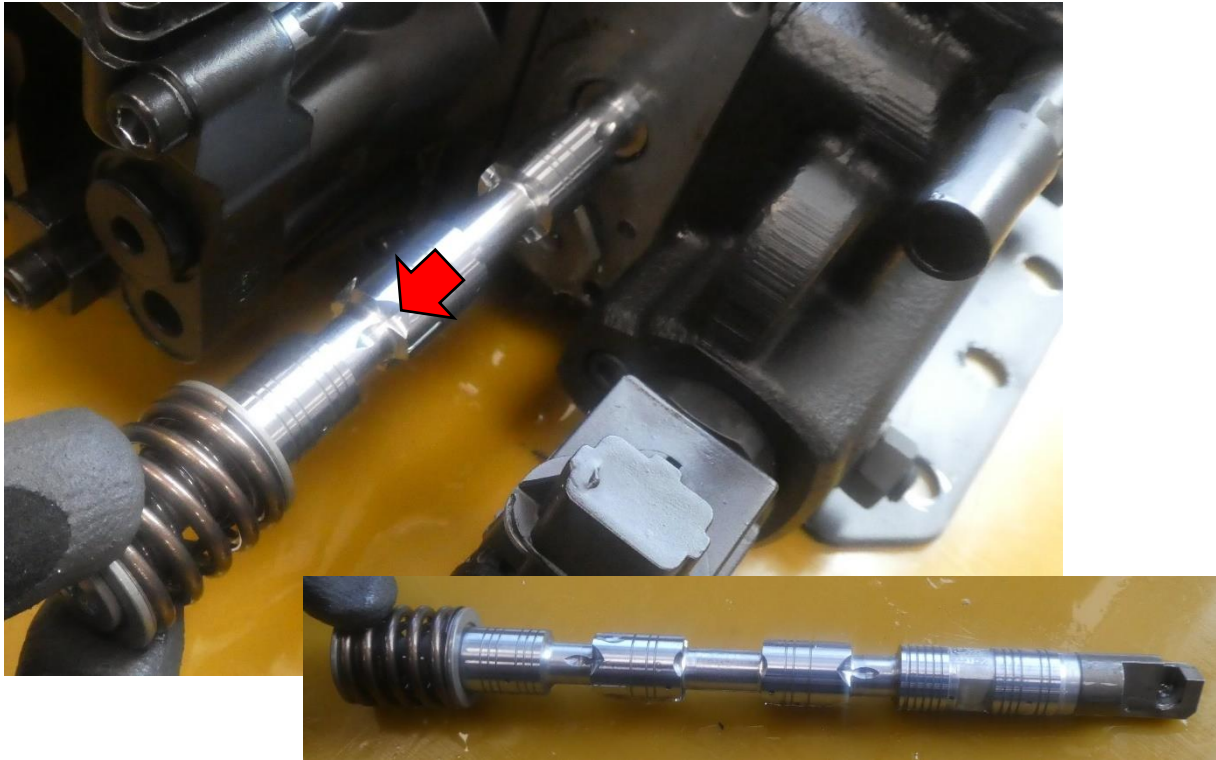
3-1: Disassembling of CH Cap A-side (Lever housing)

3.2 Electrohydraulic Spool Actuator, B-Side



3-2: Disassembling of Electrohydraulic spool actuator, B-Side

3.3 Spool



3-3: Disassembling of Spool

3.4 Spool End Tap



3-4: Disassembling of Spool End Tap

4 Assembling of new CH cap, A-side

4.1 New Spool End Tap



4-2: Assembling of New Spool End Tap

4.2 Spool



4-1: Mounting of Spool

4.3 Lever Housing Cap A-Side



Refer to capital 1.3 for further information concerning fastening torque.

4-3: Assembling of CH Cap A-Side (Lever Housing)

4.4 Electrohydraulic Spool Actuator, B-Side



When reassembling, check the condition of the seals and replace them if necessary.
Seal kit part number: 05017021

Refer to capital 1.3 for further information concerning fastening torque.



4-4: Assembling of Electrohydraulic Spool Actuator, B-Side

5 Reference

1. Bulletin HY17-8561-M1/UK; Direction Control Valve Series L90LS
@2015 Parker Hannifin Corporation
2. Catalogue MSG17-8504/EN; Mobile Directional Control Valve L90LS
@2018 Parker Hannifin Corporation
3. Catalogue HY17-8558/UK; Mobile Valves Accessories
@2016 Parker Hannifin Corporation