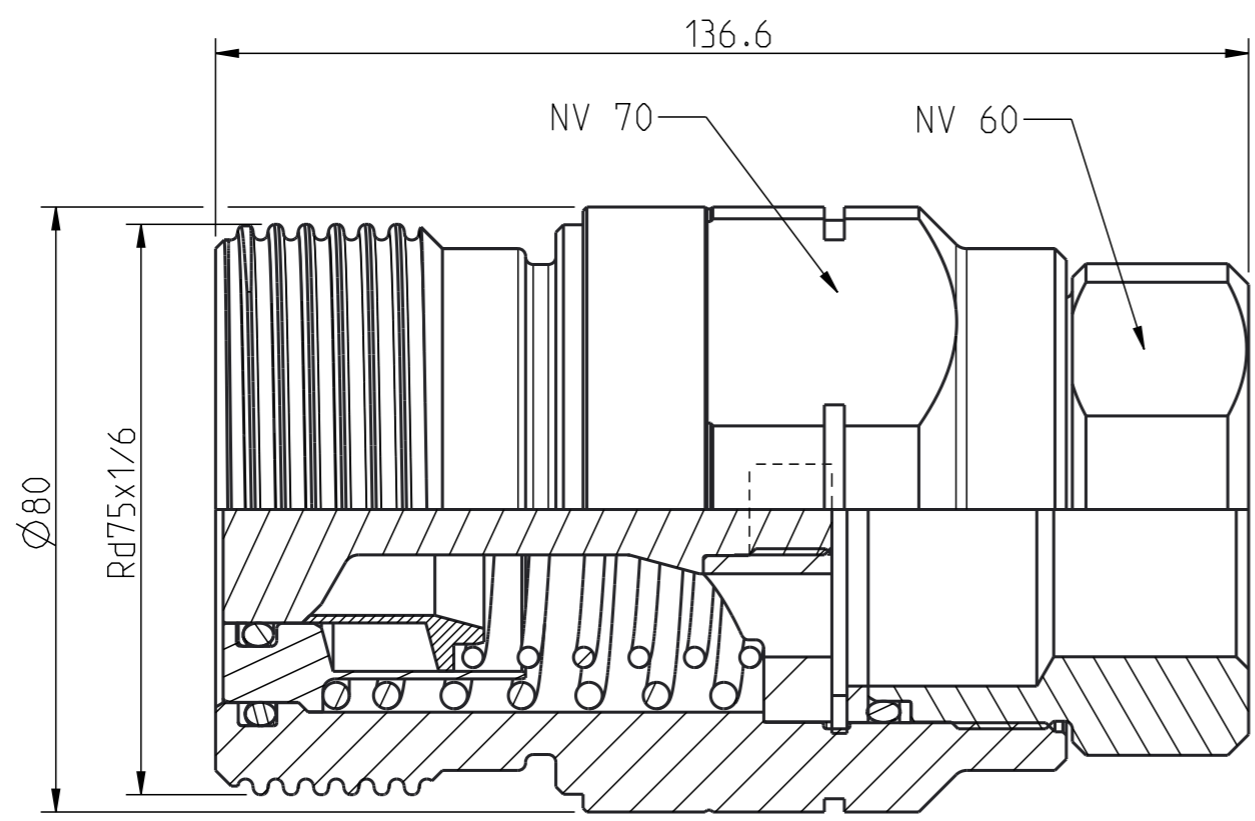
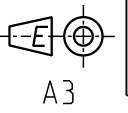


Alla rättigheter förbehålls.  
 All rights reserved.  
 Alle Rechte vorbehalten.

Denna handling får ej utan vårt medgivande delges annan, kopieras eller eljest obehörigen användas.  
 Överräddelse härvid beivras med stöd av gällande lag.  
 This document must not be copied, either completely or in part, without permission.  
 Any infringement will have legal consequences.



1:2

Product no: 10_807_1204		
Max working pressure:	400 bar connected	330 bar disconnected
Min burst pressure:	1600 bar connected	990 bar disconnected
Sealing material:	NBR	
Temperatur range:	-30°C - +100 °C	
Nominal flow diameter, DN:	mm	
Connection	G 1 1/4" fem	
Connection stroke:	mm	

16	1	Washer	Steel
15	1	Valve sleeve	Steel
14	1	Valve opener	Steel Hard., Zn-Ni 9 transp
13	1	Valve	Steel, Zn-Ni 9 transp
12	1	Stop for valve	Steel
11	1	Spring	Stainless steel
10	1	Spring	Stainless steel
9	1	O-ring	NBR
8	1	O-ring	NBR
7	1	O-ring	NBR
6	1	Lock ring	SGH 55
5	1	Coupling body	Steel hard. Zi-Ni 9 transp
4	1	Back-up ring	POM-H
3	1	Back-up ring	POM-H
2	1	Back-up ring	POM-H
1	1	Back part	Steel, Zi-Ni 9 transp
Detalj Item	Antal Quant.	Benämning Description	Material Material

	Skala Scale	1:1	Ritad Drawn	CABMBA	Kontr. Checked	JoEr	Godk. Appr.	PMB	Äm nr. Alt. no.	10586	Dat. Date	13-11-11
	Assembly drawing		Ritning nr./Drawing No.		50_807_1204		Utg./Issue		AB			