

Hydraulic Pumps - Service Information T6D / T6DM / T6DP

Denison Vane - Flügelzellen - Palettes - Palette - Paletas

aerospace
climate control
electromechanical
filtration
fluid & gas handling
hydraulics
pneumatics
process control
sealing & shielding

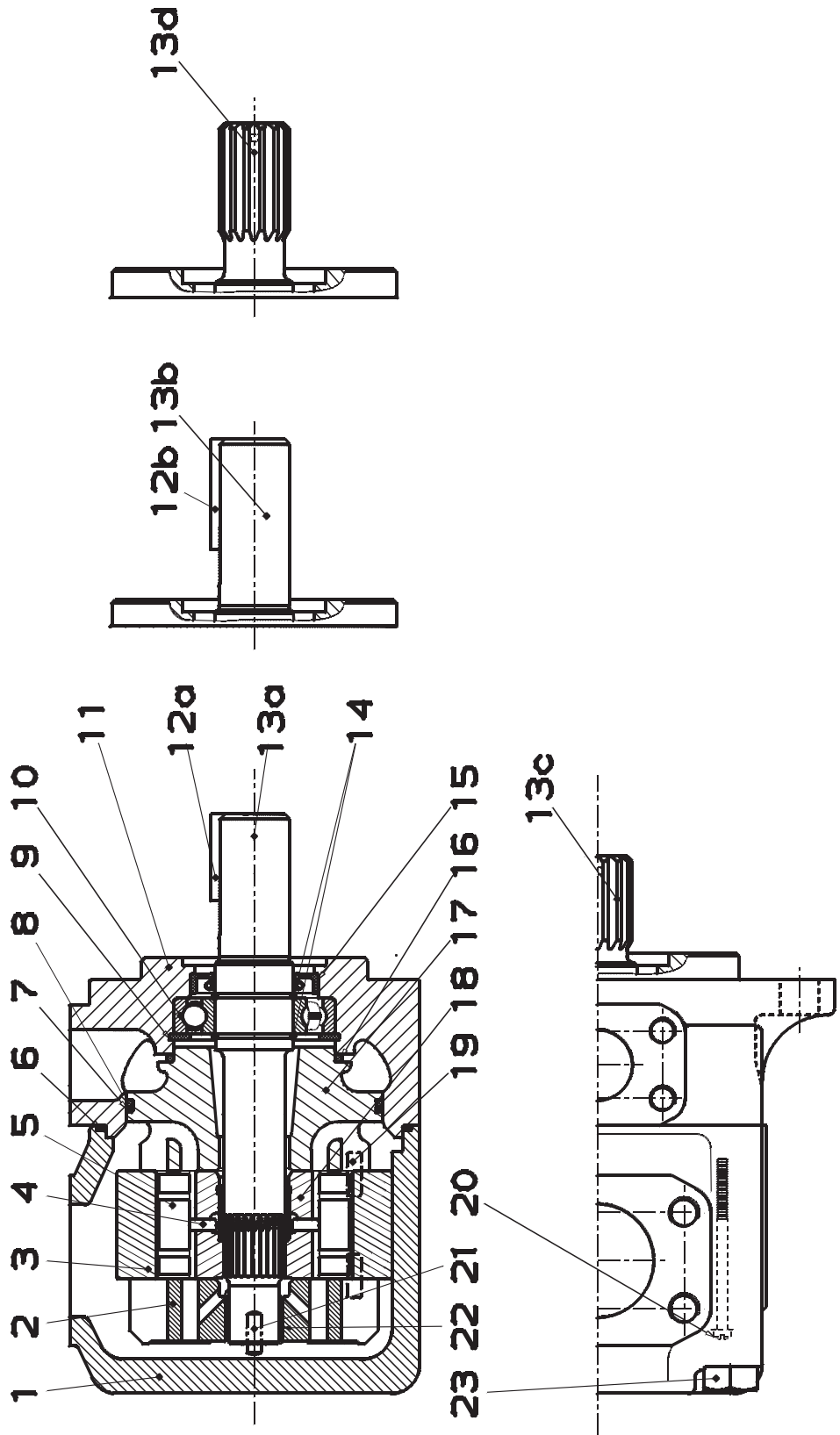


ENGINEERING YOUR SUCCESS.

T6D Industrial

Item - Pos. - Réf. - Pos.	23
Mounting torque	187 Nm
Anziehdrehmoment	138 ft.lbs
Couple de serrage	
Coppia di serraggio	
Par de apriete	

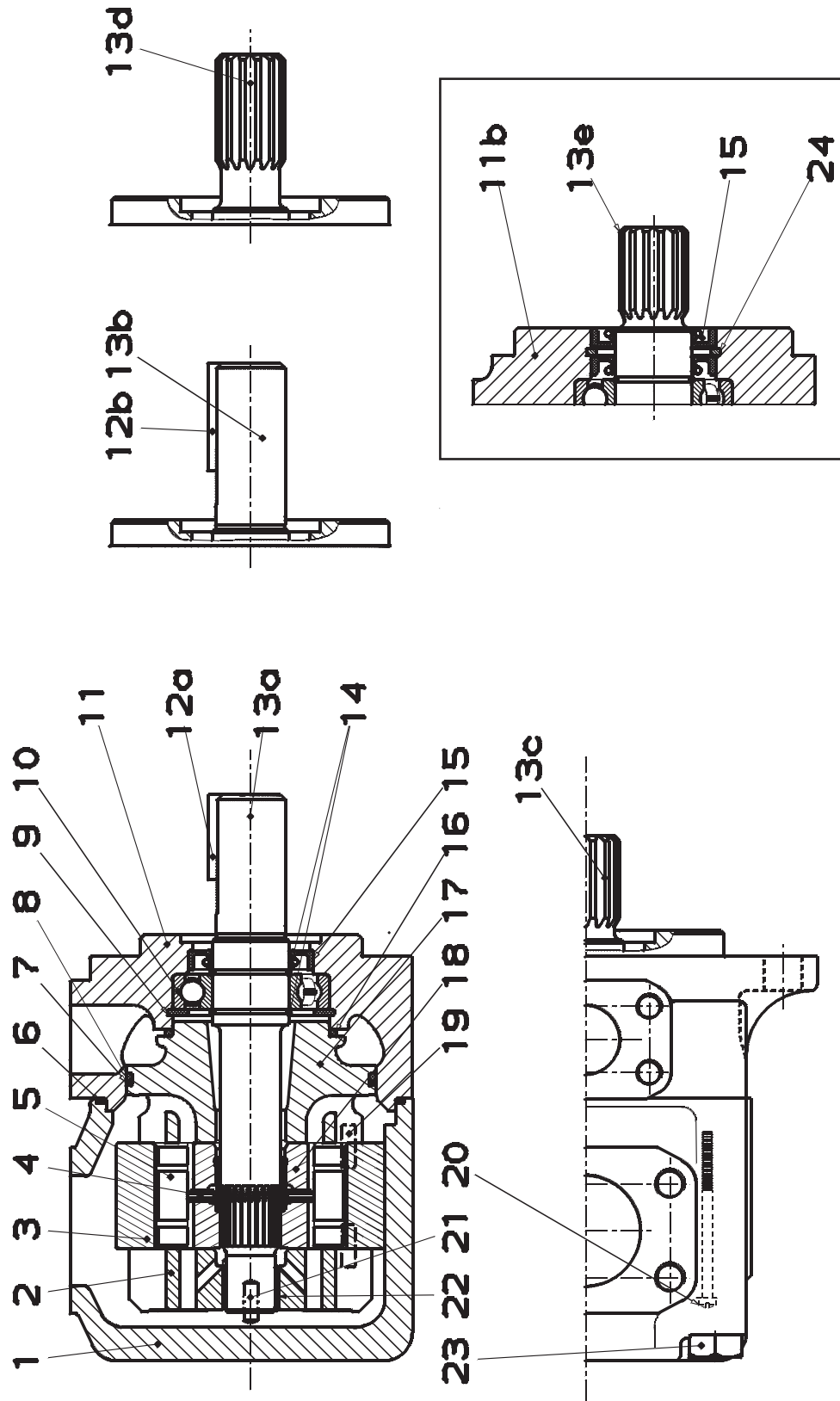
Recommended repair kits and assy's are bold printed
 Empfohlene Austausch - Baugruppen sind fett gedruckt
 Les pochettes de rechange recommandées sont imprimées en caractères gras
 I kit di ricambio consigliati sono indicati in grassetto
 Los juegos de reparacion recomendados y los conjuntos, estan en negrita



T6DM Mobile

Item - Pos. - Réf. - Pos.	23
Mounting torque	187 Nm
Anziehdrehmoment	138 ft.lbs
Couple de serrage	
Coppia di serraggio	
Par de apriete	

Recommended repair kits and assy's are bold printed
 Empfohlene Austausch - Baugruppen sind fett gedruckt
 Les pochettes de rechange recommandées sont imprimées en caractères gras
 I kit di ricambio consigliati sono indicati in grassetto
 Los juegos de reparacion recomendados y los conjuntos, estan en negrita



T6DP Mobile

Spare part list

Item Pos. Ref. Pos.	Description Descrizione	Benennung Description	Description	Part N° Teil N° Code N° Cod. N° Referencia T6D	Part N° Teil N° Code N° Cod. N° Referencia T6DM - T6DP	Qty Stück Qté Q.tà Cant.
1	Housing (standard) Corpo (standard)	Gehäuse (Standard) Cuerpo (estandar)	Cartier (standard)	034-47917-0	034-47917-0	1
	Port plate-rear C.C.W. Piatto distributore post. antioraria	Steuerplatte Linkslauf Piatto distribuidor trasero giro l	Plaque arrière rotation gauche	AG	034-67114-0	1
2	Port plate-rear C.W. Piatto distributore post. oraria	Steuerplatte Rechtslauf Piatto distribuidor trasero giro D	Plaque arrière rotation droite	AH	034-67112-0	1
	Port plate-rear Piatto distributore	Steuerplatte Piatto distribuidor trasero	Plaque arrière	AJ	034-59101-0	1
	Cam ring 014 Anello camma 014	Hubring 014 Aro volumetrico 014	Came 014	A	034-66708-0	1
	Cam ring 017 Anello camma 017	Hubring 017 Aro volumetrico 017	Came 017	A	034-67028-0	1
	Cam ring 020 Anello camma 020	Hubring 020 Aro volumetrico 020	Came 020	A	034-66596-0	1
	Cam ring 024 Anello camma 024	Hubring 024 Aro volumetrico 024	Came 024	A	034-59294-0	1
	Cam ring 028 Anello camma 028	Hubring 028 Aro volumetrico 028	Came 028	A	034-59133-0	1
3	Cam ring 031 Anello camma 031	Hubring 031 Aro volumetrico 031	Came 031	A	034-59135-0	1
	Cam ring 035 Anello camma 035	Hubring 035 Aro volumetrico 035	Came 035	A	034-59137-0	1
	Cam ring 038 Anello camma 038	Hubring 038 Aro volumetrico 038	Came 038	A	034-59139-0	1
	Cam ring 042 Anello camma 042	Hubring 042 Aro volumetrico 042	Came 042	A	034-59132-0	1
	Cam ring 045 Anello camma 045	Hubring 045 Aro volumetrico 045	Came 045	A	034-59131-0	1
	Cam ring 050 Anello camma 050	Hubring 050 Aro volumetrico 050	Came 050	A	034-66737-0	1
4	Pin-vane holdout Pistoncino di sostentamento	Stössel Espiga empuje paleta	Poussoir de palette	A	034-59130-0	10
5	Vane Paletta	Flügel Paleta	Palette	A	034-53588-0	10
6	Sq. section seal Guarnizione	Dichtring Junta seccion cuadrada	Joint section carrée	AB	671-10159-0	1
7	Back-up ring Anello anti-estrusione	Stützring Anillo	Bague anti-extrusion	AB	618-00011-3	1
8	Sq. section seal Guarnizione	Dichtring Junta seccion cuadrada	Joint section carrée	AB	691-10244-0	1
9	Retaining ring Anello elastico	Sicherungsring Anillo de retención	Circlips		356-32283-0	1
10	Ball bearing Cuscinetto a sfera	Kugellager Cojinete de bolas	Roulement à billes	CD EF	230-00207-0	1

Spare part list

Series T6D*, Denison Vane Pumps

Item Pos. Ref. Pos.	Description Descrizione	Benennung Description	Description	Part N° Teil Nr. Code N° Referencia T6D	Part N° Teil Nr. Code N° Referencia T6DM - T6DP	Qty Stück Qte. Cant. Carri.
11	Mounting cap (standard) (T6D-T6DM) Coperchio (standard) (T6D-T6DM)	Deckel (Standard) (T6D-T6DM) Tapa de montaje (estandar) (T6D-T6DM)	Chapeau de montage (standard) (T6D-T6DM)	034-47916-0	034-47916-0	1
11b	Mounting cap (standard) (T6DP) Coperchio (standard) (T6DP)	Deckel (Standard) (T6DP) Tapa de montaje (estandar) (T6DP)	Chapeau de montage (standard) (T6DP)		034-66725-0	1
12a	Key (code 2) Chiavetta (code 2)	Pajfeder (Typ 2) Chaveta (codigo 2)	Clavette (code 2)		034-49676-0	1
12b	Key (code 1) Chiavetta (code 1)	Pajfeder (Typ 1) Chaveta (codigo 1)	Clavette (code 1)		034-46754-0	1
13a	Shaft (keyed) (code 2) Albero a chiavetta (code 2)	Pajfederwelle (Typ 2) Eje chaveteado (codigo 2)	Arbre à clavette (code 2)		034-70980-0	1
13b	Shaft (keyed) (code 1) Albero a chiavetta (code 1)	Pajfederwelle (Typ 1) Eje chaveteado (codigo 1)	Arbre à clavette (code 1)		034-70858-0	1
13c	Shaft (splined) (code 3) (T6D-T6DM) Albero scanalato (code 3) (T6D-T6DM)	Vielkeiwelle (Typ 3) (T6D-T6DM) Eje estriado (codigo 3) (T6D-T6DM)	Arbre à cannelures (code 3) (T6D-T6DM)		034-70859-0	1
13d	Shaft (splined) (code 4) Albero scanalato (code 4)	Vielkeiwelle (Typ 4) Eje estriado (codigo 4)	Arbre à cannelures (code 4)		034-70923-0	1
13e	Shaft (splined) (code 3) (T6DP) Albero scanalato (code 3) (T6DP)	Vielkeiwelle (Typ 3) (T6DP) Eje estriado (codigo 3) (T6DP)	Arbre à cannelures (code 3) (T6DP)		034-66724-0	1
14	Round section ring Anello	Sicherungsring Anillo tórico	Anneau		034-70853-0	2
	Shaft seal (S1 - 0,7 bar) (T6D-T6DM) Paraolio (S1 - 0,7 bar) (T6D-T6DM)	Simmering (S1 - 0,7 bar) (T6D-T6DM) Reten eje (S1 - 0,7 bar) (T6D-T6DM)	Joint d'arbre (S1 - 0,7 bar) (T6D-T6DM)		620-82062-0	1
15	Shaft seal (S1 - 0,7 bar) (T6DP) Paraolio (S1 - 0,7 bar) (T6DP)	Simmering (S1 - 0,7 bar) (T6DP) Reten eje (S1 - 0,7 bar) (T6DP)	Joint d'arbre (S1 - 0,7 bar) (T6DP)		620-82062-0	2
	Shaft seal (S4 - S5 - 7 bar) Paraolio (S4 - S5 - 7 bar)	Simmering (S4 - S5 - 7 bar) Reten eje (S4 - S5 - 7 bar)	Joint d'arbre (S4 - S5 - 7 bar)		620-82066-0	1
16	Sq. section seal Guarnizione	Dichting Junta seccion cuadrada	Joint section carrée		691-10232-0	1
	Port plate-pressure C.C.W. Piatto distributore anter. antioraria	Steuerplatte Linkslauf Piatto distribuidor-presion giro l	Plaque pression rotation gauche		034-67113-0	1
17	Port plate-pressure C.W. Piatto distributore anter. oraria	Steuerplatte Rechtslauf Piatto distribuidor-presion giro D	Plaque pression rotation droite		034-67111-0	1
	Port plate-pressure Piatto distributore anter.	Steuerplatte Piatto distribuidor-presion	Plaque pression		034-59057-0	1
18	Rotor-insert ass'y Insieme rotore	Rotor Conjunto rotor	Rotor et douille ass.		S24-10121-0	1
19	Dowel pin Spina	Zentrierstift Pasador	Goupille		324-21612-0	2
20	Screw Vite	Schraube Tornille	Vis		317-10320-0	2
21	Dowel pin Spina	Zentrierstift Pasador	Goupille		323-82004-0	1

Spare part list

Item Pos.	Description	Berennung Description	Description	Part N° Teil Nr. Code N° Referencia T6D	Part N° Teil Nr. Code N° Cod. N° Referencia T6DM - T6DP	Qty. Stück Qté Q.tà Cant.
22	Bush Bussola	Buchse Cojinete de fricción	Beuge	AG HJ	034-70868-0	1
23	Screw Vite	Schraube Tornille	Vis		306-40157-0	4
24	Retaining ring (T6DP) Anillo elastico (T6DP)	Sicherungsring (T6DP) Anillo de retención (T6DP)	Circelips (T6DP)		356-00032-3	1
	REPAIR KIT KIT DI RICAMBIO	AUSTAUSCH-BAUGRUPPEN CONJUNTO REPARACION	POCHETTES RECHANGES			
A	Cart. and plate ass'y *14 C.W. Ins. cart. *14 oraria	Pumpeneinheit *14 Rechtslauf Conjunto cart. y platos *14 giro d.	Cart. et plaque ass. *14 rot. d.		S24-33849-* S24-40789-*	1
A	Cart. and plate ass'y *14 C.C.W. Ins. cart. *14 antioraria	Pumpeneinheit *14 Linkslauf Conjunto cart. y platos *14 giro i.	Cart. et plaque ass. *14 rot. g.		S24-40598-* S24-40790-*	1
A	Cart. and plate ass'y *17 C.W. Ins. cart. *17 oraria	Pumpeneinheit *17 Rechtslauf Conjunto cart. y platos *17 giro d.	Cart. et plaque ass. *17 rot. d.		S24-58996-* S24-63325-*	1
A	Cart. and plate ass'y *17 C.C.W. Ins. cart. *17 antioraria	Pumpeneinheit *17 Linkslauf Conjunto cart. y platos *17 giro i.	Cart. et plaque ass. *17 rot. g.		S24-58997-* S24-64242-*	1
A	Cart. and plate ass'y *20 C.W. Ins. cart. *20 oraria	Pumpeneinheit *20 Rechtslauf Conjunto cart. y platos *20 giro d.	Cart. et plaque ass. *20 rot. d.		S24-26486-* S24-30139-*	1
A	Cart. and plate ass'y *20 C.C.W. Ins. cart. *20 antioraria	Pumpeneinheit *20 Linkslauf Conjunto cart. y platos *20 giro i.	Cart. et plaque ass. *20 rot. g.		S24-26487-* S24-30140-*	1
A	Cart. and plate ass'y *24 C.W. Ins. cart. *24 oraria	Pumpeneinheit *24 Rechtslauf Conjunto cart. y platos *24 giro d.	Cart. et plaque ass. *24 rot. d.		S14-97784-* S24-30141-*	1
A	Cart. and plate ass'y *24 C.C.W. Ins. cart. *24 antioraria	Pumpeneinheit *24 Linkslauf Conjunto cart. y platos *24 giro i.	Cart. et plaque ass. *24 rot. g.		S24-25544-* S24-30142-*	1
A	Cart. and plate ass'y *28 C.W. Ins. cart. *28 oraria	Pumpeneinheit *28 Rechtslauf Conjunto cart. y platos *28 giro d.	Cart. et plaque ass. *28 rot. d.		S24-10837-* S24-30143-*	1
A	Cart. and plate ass'y *28 C.C.W. Ins. cart. *28 antioraria	Pumpeneinheit *28 Linkslauf Conjunto cart. y platos *28 giro i.	Cart. et plaque ass. *28 rot. g.		S24-10838-* S24-30144-*	1
A	Cart. and plate ass'y *31 C.W. Ins. cart. *31 oraria	Pumpeneinheit *31 Rechtslauf Conjunto cart. y platos *31 giro d.	Cart. et plaque ass. *31 rot. d.		S24-10839-* S24-30145-*	1
A	Cart. and plate ass'y *31 C.C.W. Ins. cart. *31 antioraria	Pumpeneinheit *31 Linkslauf Conjunto cart. y platos *31 giro i.	Cart. et plaque ass. *31 rot. g.		S24-10840-* S24-30146-*	1
A	Cart. and plate ass'y *35 C.W. Ins. cart. *35 oraria	Pumpeneinheit *35 Rechtslauf Conjunto cart. y platos *35 giro d.	Cart. et plaque ass. *35 rot. d.		S24-10841-* S24-30147-*	1
A	Cart. and plate ass'y *35 C.C.W. Ins. cart. *35 antioraria	Pumpeneinheit *35 Linkslauf Conjunto cart. y platos *35 giro i.	Cart. et plaque ass. *35 rot. g.		S24-10842-* S24-30148-*	1
A	Cart. and plate ass'y *38 C.W. Ins. cart. *38 oraria	Pumpeneinheit *38 Rechtslauf Conjunto cart. y platos *38 giro d.	Cart. et plaque ass. *38 rot. d.		S24-10843-* S24-30149-*	1
A	Cart. and plate ass'y *38 C.C.W. Ins. cart. *38 antioraria	Pumpeneinheit *38 Linkslauf Conjunto cart. y platos *38 giro i.	Cart. et plaque ass. *38 rot. g.		S24-10844-* S24-30150-*	1
A	Cart. and plate ass'y *42 C.W. Ins. cart. *42 oraria	Pumpeneinheit *42 Rechtslauf Conjunto cart. y platos *42 giro d.	Cart. et plaque ass. *42 rot. d.		S24-10845-* S24-30151-*	1

Spare part list

Series T6D*, Denison Vane Pumps

Item Pos. Ref. Pos.	Description	Benennung Description	Description	Part N° Teil Nr. Code N° Cod. N° Referencia T6D	Part N° Teil Nr. Code N° Cod. N° Referencia T6DM - T6DP	Qty Stück Qte
A	Cart. and plate ass'y *42 C.C.W. Ins. cart. *42 antioraria	Pumpeneinheit *42 Linkslauf Conjunto cart. y platos *42 giro i.	Cart. et plaque ass. *42 rot. g.	S24-10846*	S24-30152*	1
A	Cart. and plate ass'y *45 C.W. Ins. cart. *45 oraria	Pumpeneinheit *45 Rechtslauf Conjunto cart. y platos *45 giro d.	Cart. et plaque ass. *45 rot. d.	S24-10847*	S24-30153*	1
A	Cart. and plate ass'y *45 C.C.W. Ins. cart. *45 antioraria	Pumpeneinheit *45 Linkslauf Conjunto cart. y platos *45 giro i.	Cart. et plaque ass. *45 rot. g.	S24-10848*	S24-30154*	1
A	Cart. and plate ass'y *50 C.W. Ins. cart. *50 oraria	Pumpeneinheit *50 Rechtslauf Conjunto cart. y platos *50 giro d.	Cart. et plaque ass. *50 rot. d.	S24-40028*	S24-40030*	1
A	Cart. and plate ass'y *50 C.C.W. Ins. cart. *50 antioraria	Pumpeneinheit *50 Linkslauf Conjunto cart. y platos *50 giro i.	Cart. et plaque ass. *50 rot. g.	S24-40029*	S24-40031*	1
B	Seal kit (S1 - 0,7 bar) (T6D-T6DM) Serie guarnizioni (S1 - 0,7 bar) (T6D-T6DM)	Dichtringsatz (S1 - 0,7 bar) (T6D-T6DM) Juego de juntas (S1 - 0,7 bar) (T6D-T6DM)	Pochette de joint (S1 - 0,7 bar) (T6D-T6DM)	S24-10138-0	S24-10138-0	1
	Seal kit (S1 - 0,7 bar) (T6DP) Serie guarnizioni (S1 - 0,7 bar) (T6DP)	Dichtringsatz (S1 - 0,7 bar) (T6DP) Juego de juntas (S1 - 0,7 bar) (T6DP)	Pochette de joint (S1 - 0,7 bar) (T6DP)		S24-30155-0	1
C	Seal kit (S4 - 7 bar) Serie guarnizioni (S4 - 7 bar)	Dichtringsatz (S4 - 7 bar) Juego de juntas (S4 - 7 bar)	Pochette de joint (S4 - 7 bar)	S24-10138-4	S24-10138-4	1
	Seal kit (S5 - 7 bar) Serie guarnizioni (S5 - 7 bar)	Dichtringsatz (S5 - 7 bar) Juego de juntas (S5 - 7 bar)	Pochette de joint (S5 - 7 bar)	S24-10138-5	S24-10138-5	1
D	Shaft and bearing ass'y (code 1) Ins. albero (codice 1)	Baugruppe (Welle u. Lager) (Typ 1) Conjunto eje cojinete (codigo 1)	Arbre et roulement ass. (code 1)	S14-20084-0	S14-20084-0	1
	Shaft and bearing ass'y (code 2) Ins. albero (codice 2)	Baugruppe (Welle u. Lager) (Typ 2) Conjunto eje cojinete (codigo 2)	Arbre et roulement ass. (code 2)	S14-25646-0	S14-25646-0	1
E	Shaft and bearing ass'y (code 3) (T6D-T6DM) Ins. albero (codice 3) (T6D-T6DM)	Baugruppe (Welle u. Lager) (Typ 3) (T6D-T6DM) Conjunto eje cojinete (codigo 3) (T6D-T6DM)	Arbre et roulement ass. (code 3) (T6D-T6DM)	S14-20085-0	S14-20085-0	1
	Shaft and bearing ass'y (code 3) (T6DP) Ins. albero (codice 3) (T6DP)	Baugruppe (Welle u. Lager) (Typ 3) (T6DP) Conjunto eje cojinete (codigo 3) (T6DP)	Arbre et roulement ass. (code 3) (T6DP)		S24-30160-0	1
F	Shaft and bearing ass'y (code 4) Ins. albero (codice 4)	Baugruppe (Welle u. Lager) (Typ 4) Conjunto eje cojinete (codigo 4)	Arbre et roulement ass. (code 4)	S14-40835-0	S14-40835-0	1
G	Port plate-rear and bush ass'y C.C.W. Ins. piatto distributore post. antioraria	Steuerplatte mit Buchse Linkslauf Conj. piatto dist. tras. con coj. fricción giro l	Plaque ar. et bague ass. rot. gauche	S24-63710-0		1
H	Port plate-rear and bush ass'y C.W. Ins. piatto distributore post. oraria	Steuerplatte mit Buchse Rechtslauf Conj. piatto dist. tras. con coj. fricción giro D	Plaque ar. et bague ass. rot. droite	S24-63709-0		1
J	Port plate-rear and bush ass'y Ins. piatto distributore post.	Steuerplatte mit Buchse Conj. piatto dist. tras. con coj. fricción	Plaque ar. et bague ass.		S24-10122-0	1
Seal class Tipo di guarnizioni				S**,****** =		
				S1 BUNA N S**,******-0		
				S4 EPDM S**,******-4		
				S5 VITON® S**,******-5		



Model Code	Typenschlüssel	Designation - type
<p>Model number : _____</p> <p>Series _____</p> <p>One letter can be added to specify special parts in series</p> <p>Cam ring</p> <p>(delivery at 0 bar - 1500 rpm)</p> <p>014 = 71,4 l/min 020 = 99,0 l/min 024 = 119,3 l/min 028 = 134,5 l/min 031 = 147,4 l/min</p> <p>Type of shaft</p> <p>1 = keyed (SAE C) 2 = keyed (no SAE) 3 = splined (SAE C) 4 = splined (no SAE)</p> <p>Direction of rotation</p> <p>R = Clockwise L = Counter-clockwise</p> <p>Porting combination</p> <p>00 = standard</p> <p>Design letter _____</p> <p>Seal class</p> <p>1 = S1 - BUNA N 4 = S4 - EPDM 5 = S5 - VITON</p> <p>Modifications _____</p>	<p>Typenbezeichnung : _____</p> <p>Baureihe _____</p> <p>Optionen _____</p> <p>geom. Fördervolumen (Flügelzellenpumpe)</p> <p>(Förderstrom bei 0 bar - 1500 U/min)</p> <p>035 = 166,5 l/min 038 = 180,4 l/min 042 = 204,0 l/min 045 = 218,5 l/min 050 = 237,0 l/min</p> <p>Art der Welle</p> <p>1 = Papfederwelle (SAE C) 2 = Papfederwelle (nicht SAE) 3 = Vielkeilwelle (SAE C) 4 = Vielkeilwelle (nicht SAE)</p> <p>Drehrichtung</p> <p>R = Rechtslauf L = Linkslauf</p> <p>Lage der Anschlüsse</p> <p>00 = standard</p> <p>Ausführungsbuchstabe _____</p> <p>Dichtungsclassse</p> <p>1 = S1 - BUNA N 4 = S4 - EPDM 5 = S5 - VITON</p> <p>Modifikationen _____</p>	<p>Numéro du modèle : _____</p> <p>Série _____</p> <p>Une lettre peut être ajoutée pour spécifier les pièces spéciales dans la série.</p> <p>Camme</p> <p>(débit 0 bar - 1500 tr/min)</p> <p>035 = 166,5 l/min 038 = 180,4 l/min 042 = 204,0 l/min 045 = 218,5 l/min 050 = 237,0 l/min</p> <p>Type d'arbre</p> <p>1 = à clavette (SAE C) 2 = à clavette (non SAE) 3 = à cannelures (SAE C) 4 = à cannelures (non SAE)</p> <p>Sens de rotation</p> <p>R = à droite L = à gauche</p> <p>Combinaison des orifices</p> <p>00 = standard</p> <p>Conception _____</p> <p>Classe de joint</p> <p>1 = S1 - BUNA N 4 = S4 - EPDM 5 = S5 - VITON</p> <p>Modifications _____</p>
<p>Model Code _____</p> <p>Model number : _____</p> <p>Series _____</p>	<p>Typenbezeichnung : _____</p> <p>Baureihe _____</p> <p>Optionen _____</p> <p>geom. Fördervolumen (Flügelzellenpumpe)</p> <p>(Förderstrom bei 0 bar - 1500 U/min)</p> <p>035 = 166,5 l/min 038 = 180,4 l/min 042 = 204,0 l/min 045 = 218,5 l/min 050 = 237,0 l/min</p> <p>Art der Welle</p> <p>1 = Papfederwelle (SAE C) 2 = Papfederwelle (nicht SAE) 3 = Vielkeilwelle (SAE C) 4 = Vielkeilwelle (nicht SAE)</p> <p>Drehrichtung</p> <p>R = Rechtslauf L = Linkslauf</p> <p>Lage der Anschlüsse</p> <p>00 = standard</p> <p>Ausführungsbuchstabe _____</p> <p>Dichtungsclassse</p> <p>1 = S1 - BUNA N 4 = S4 - EPDM 5 = S5 - VITON</p> <p>Modifikationen _____</p>	<p>Numéro du modèle : _____</p> <p>Série _____</p> <p>Une lettre peut être ajoutée pour spécifier les pièces spéciales dans la série.</p> <p>Camme</p> <p>(débit 0 bar - 1500 tr/min)</p> <p>035 = 166,5 l/min 038 = 180,4 l/min 042 = 204,0 l/min 045 = 218,5 l/min 050 = 237,0 l/min</p> <p>Type d'arbre</p> <p>1 = à clavette (SAE C) 2 = à clavette (non SAE) 3 = à cannelures (SAE C) 4 = à cannelures (non SAE)</p> <p>Sens de rotation</p> <p>R = à droite L = à gauche</p> <p>Combinaison des orifices</p> <p>00 = standard</p> <p>Conception _____</p> <p>Classe de joint</p> <p>1 = S1 - BUNA N 4 = S4 - EPDM 5 = S5 - VITON</p> <p>Modifications _____</p>



Key Sheet T6D

Designazione

Clave de designación

Sigla :

Referencia modelo :

Serie

Serie

Una lettera può essere aggiunta per specificare parti speciali nella serie

Una lettera puede ser añadida para especificar piezas especiales en la serie

Tipo di cartuccia
(Portata a 0 bar e 1500 g/min)

Aro volumetrico
(Caudal 0 bar - 1500 rpm)

- 014 = 71,4 l/min
- 020 = 99,0 l/min
- 024 = 119,3 l/min
- 028 = 134,5 l/min
- 031 = 147,4 l/min

- 035 = 166,5 l/min
- 038 = 180,4 l/min
- 042 = 204,0 l/min
- 045 = 218,5 l/min
- 050 = 237,0 l/min

Tipo di albero

Tipo de eje

- 1 = a chavetta (SAEC)
- 2 = a chavetta
- 3 = scanalato (SAE C)
- 4 = scanalato

- 1 = chaveteado (SAE C)
- 2 = chaveteado (no SAE)
- 3 = estriado (SAE C)
- 4 = estriado (no SAE)

Senso di rotazione

Sentido de giro

- R = Orologio
- L = Antiorario

- R = Derecha
- L = Izquierda

Orientamento delle bocche

Posición de bocas

- 00 = standard

- 00 = estándar

Disegno

Letra de diseño

Tipo di guarnizioni

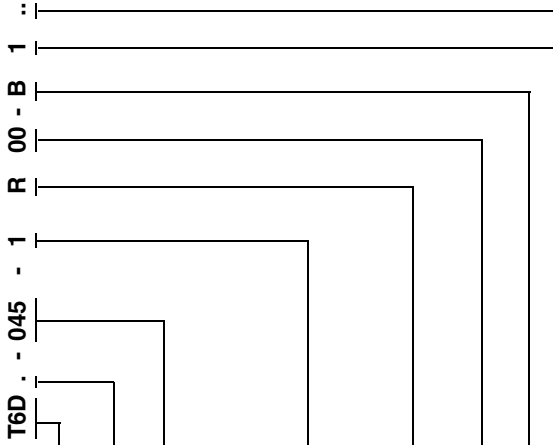
Clase de juntas

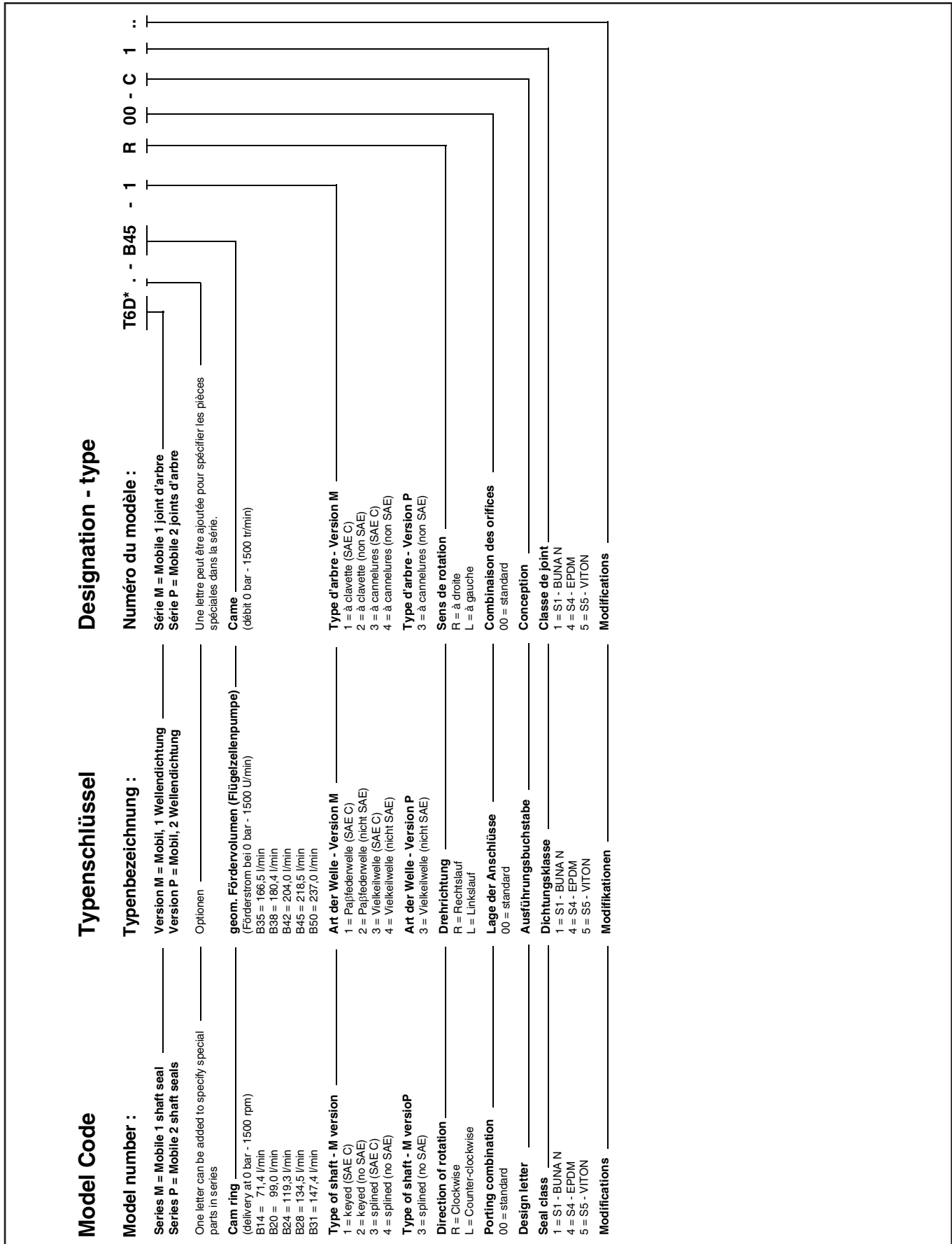
- 1 = S1 - BUNA N
- 4 = S4 - EPDM
- 5 = S5 - VITON

- 1 = S1 - BUNA N
- 4 = S4 - EPDM
- 5 = S5 - VITON

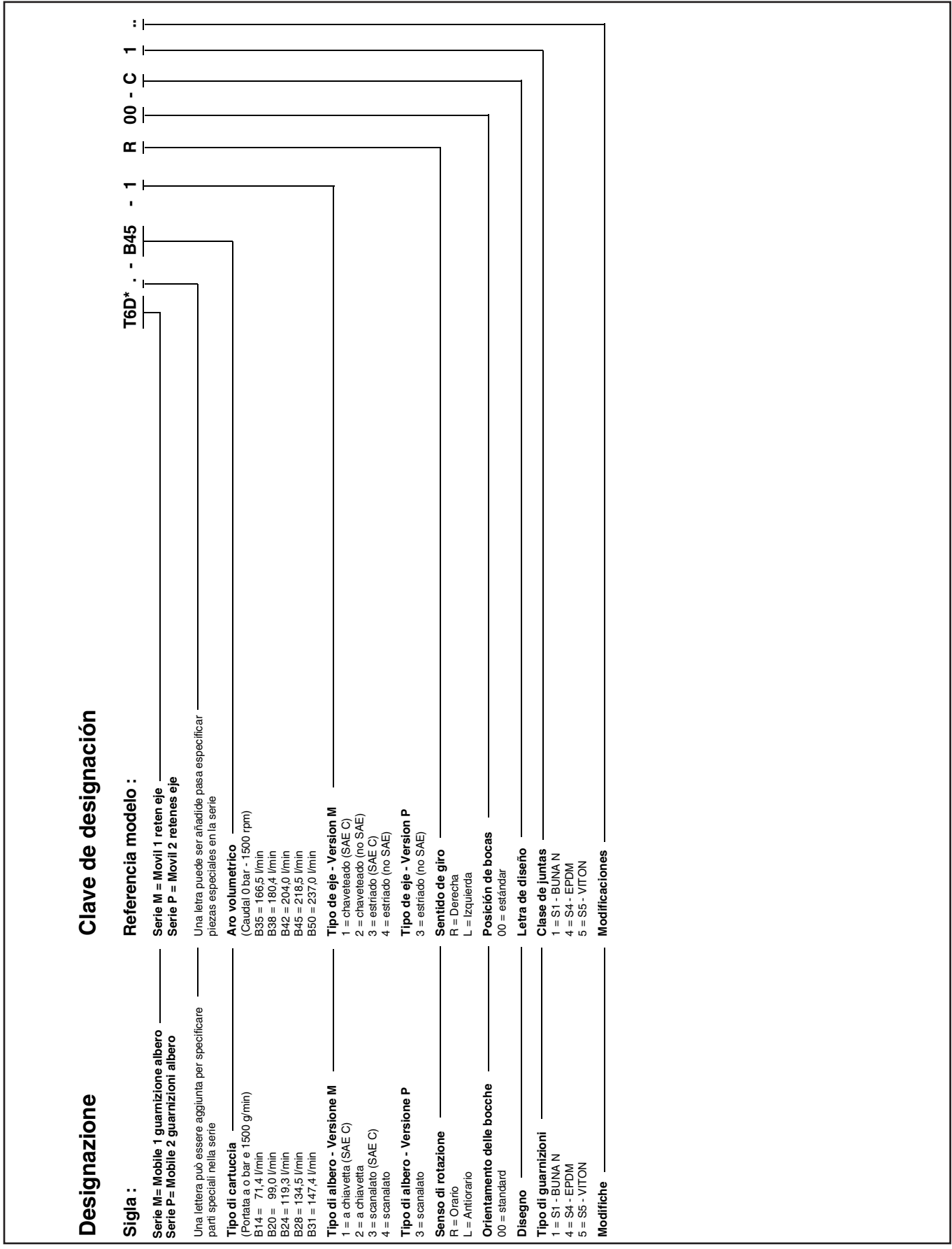
Modifiche

Modificaciones





Key Sheet T6D*



Designazione

Sigla :
 Serie M = Mobile 1 guarnizione albero
 Serie P = Mobile 2 guarnizioni albero
 Una lettera può essere aggiunta per specificare parti speciali nella serie

Tipo di cartuccia
 (Portata a o bar e 1500 g/min)
 B14 = 71,4 l/min
 B20 = 99,0 l/min
 B24 = 119,3 l/min
 B28 = 134,5 l/min
 B31 = 147,4 l/min

Tipo di albero - Versione M
 1 = a chiavetta (SAE C)
 2 = a chiavetta
 3 = scanalato (SAE C)
 4 = scanalato

Tipo di albero - Versione P
 3 = scanalato

Senso di rotazione
 R = Oraiò
 L = Antiorario

Orientamento delle bocche
 00 = standard

Disegno

Tipo di guarnizioni
 1 = S1 - BUNA N
 4 = S4 - EPDM
 5 = S5 - VITON

Modifiche

Clave de designación

Referencia modelo :
 Serie M = Movil 1 reten eje
 Serie P = Movil 2 retenes eje
 Una letra puede ser añadida para especificar piezas especiales en la serie

Aro volumetrico
 (Caudal a 0 bar - 1500 rpm)
 B35 = 166,5 l/min
 B38 = 180,4 l/min
 B42 = 204,0 l/min
 B45 = 218,5 l/min
 B50 = 237,0 l/min

Tipo de eje - Version M
 1 = chaveteado (SAE C)
 2 = chaveteado (no SAE)
 3 = estriado (SAE C)
 4 = estriado (no SAE)

Tipo de eje - Version P
 3 = estriado (no SAE)

Sentido de giro
 R = Derecha
 L = Izquierda

Posición de bocas
 00 = estándar

Letra de diseño

Clase de juntas
 1 = S1 - BUNA N
 4 = S4 - EPDM
 5 = S5 - VITON

Modificaciones



Warning**WARNING — USER RESPONSIBILITY**

FAILURE OR IMPROPER SELECTION OR IMPROPER USE OF THE PRODUCTS DESCRIBED HEREIN OR RELATED ITEMS CAN CAUSE DEATH, PERSONAL INJURY AND PROPERTY DAMAGE.

- This document and other information from Parker-Hannifin Corporation, its subsidiaries and authorized distributors provide product or system options for further investigation by users having technical expertise.
- The user, through its own analysis and testing, is solely responsible for making the final selection of the system and components and assuring that all performance, endurance, maintenance, safety and warning requirements of the application are met. The user must analyze all aspects of the application, follow applicable industry standards, and follow the information concerning the product in the current product catalog and in any other materials provided from Parker or its subsidiaries or authorized distributors.
- To the extent that Parker or its subsidiaries or authorized distributors provide component or system options based upon data or specifications provided by the user, the user is responsible for determining that such data and specifications are suitable and sufficient for all applications and reasonably foreseeable uses of the components or systems.

Offer of Sale

Please contact your Parker representation for a detailed "Offer of Sale".

Parker Worldwide

Europe, Middle East, Africa

AE – United Arab Emirates,
Dubai

Tel: +971 4 8127100
parker.me@parker.com

AT – Austria, Wiener Neustadt

Tel: +43 (0)2622 23501-0
parker.austria@parker.com

AT – Eastern Europe, Wiener
Neustadt

Tel: +43 (0)2622 23501 900
parker.easteurope@parker.com

AZ – Azerbaijan, Baku

Tel: +994 50 2233 458
parker.azerbaijan@parker.com

BE/LU – Belgium, Nivelles

Tel: +32 (0)67 280 900
parker.belgium@parker.com

BY – Belarus, Minsk

Tel: +375 17 209 9399
parker.belarus@parker.com

CH – Switzerland, Etoy

Tel: +41 (0)21 821 87 00
parker.switzerland@parker.com

CZ – Czech Republic, Klecany

Tel: +420 284 083 111
parker.czechrepublic@parker.com

DE – Germany, Kaarst

Tel: +49 (0)2131 4016 0
parker.germany@parker.com

DK – Denmark, Ballerup

Tel: +45 43 56 04 00
parker.denmark@parker.com

ES – Spain, Madrid

Tel: +34 902 330 001
parker.spain@parker.com

FI – Finland, Vantaa

Tel: +358 (0)20 753 2500
parker.finland@parker.com

FR – France, Contamine s/Arve

Tel: +33 (0)4 50 25 80 25
parker.france@parker.com

GR – Greece, Athens

Tel: +30 210 933 6450
parker.greece@parker.com

HU – Hungary, Budapest

Tel: +36 1 220 4155
parker.hungary@parker.com

IE – Ireland, Dublin

Tel: +353 (0)1 466 6370
parker.ireland@parker.com

IT – Italy, Corsico (MI)

Tel: +39 02 45 19 21
parker.italy@parker.com

KZ – Kazakhstan, Almaty

Tel: +7 7272 505 800
parker.easteurope@parker.com

NL – The Netherlands, Oldenzaal

Tel: +31 (0)541 585 000
parker.nl@parker.com

NO – Norway, Asker

Tel: +47 66 75 34 00
parker.norway@parker.com

PL – Poland, Warsaw

Tel: +48 (0)22 573 24 00
parker.poland@parker.com

PT – Portugal, Leca da Palmeira

Tel: +351 22 999 7360
parker.portugal@parker.com

RO – Romania, Bucharest

Tel: +40 21 252 1382
parker.romania@parker.com

RU – Russia, Moscow

Tel: +7 495 645-2156
parker.russia@parker.com

SE – Sweden, Spånga

Tel: +46 (0)8 59 79 50 00
parker.sweden@parker.com

SK – Slovakia, Banská Bystrica

Tel: +421 484 162 252
parker.slovakia@parker.com

SL – Slovenia, Novo Mesto

Tel: +386 7 337 6650
parker.slovenia@parker.com

TR – Turkey, Istanbul

Tel: +90 216 4997081
parker.turkey@parker.com

UA – Ukraine, Kiev

Tel: +380 44 494 2731
parker.ukraine@parker.com

UK – United Kingdom, Warwick

Tel: +44 (0)1926 317 878
parker.uk@parker.com

ZA – South Africa, Kempton Park

Tel: +27 (0)11 961 0700
parker.southafrica@parker.com

North America

CA – Canada, Milton, Ontario

Tel: +1 905 693 3000

US – USA, Cleveland

(industrial)
Tel: +1 216 896 3000

US – USA, Elk Grove Village

(mobile)
Tel: +1 847 258 6200

Asia Pacific

AU – Australia, Castle Hill

Tel: +61 (0)2-9634 7777

CN – China, Shanghai

Tel: +86 21 2899 5000

HK – Hong Kong

Tel: +852 2428 8008

IN – India, Mumbai

Tel: +91 22 6513 7081-85

JP – Japan, Fujisawa

Tel: +81 (0)4 6635 3050

KR – South Korea, Seoul

Tel: +82 2 559 0400

MY – Malaysia, Shah Alam

Tel: +60 3 7849 0800

NZ – New Zealand, Mt Wellington

Tel: +64 9 574 1744

SG – Singapore

Tel: +65 6887 6300

TH – Thailand, Bangkok

Tel: +662 717 8140

TW – Taiwan, Taipei

Tel: +886 2 2298 8987

South America

AR – Argentina, Buenos Aires

Tel: +54 3327 44 4129

BR – Brazil, Cachoeirinha RS

Tel: +55 51 3470 9144

CL – Chile, Santiago

Tel: +56 2 623 1216

MX – Mexico, Apodaca

Tel: +52 81 8156 6000

Ed. 2011-07-07

EMEA Product Information Centre

Free phone: 00 800 27 27 5374

(from AT, BE, CH, CZ, DE, DK, EE, ES, FI, FR, IE, IL,
IS, IT, LU, MT, NL, NO, PL, PT, RU, SE, SK, UK, ZA)

US Product Information Centre

Toll-free number: 1-800-27 27 537

www.parker.com

