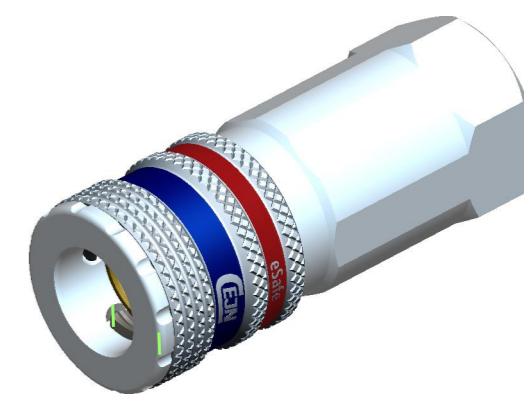
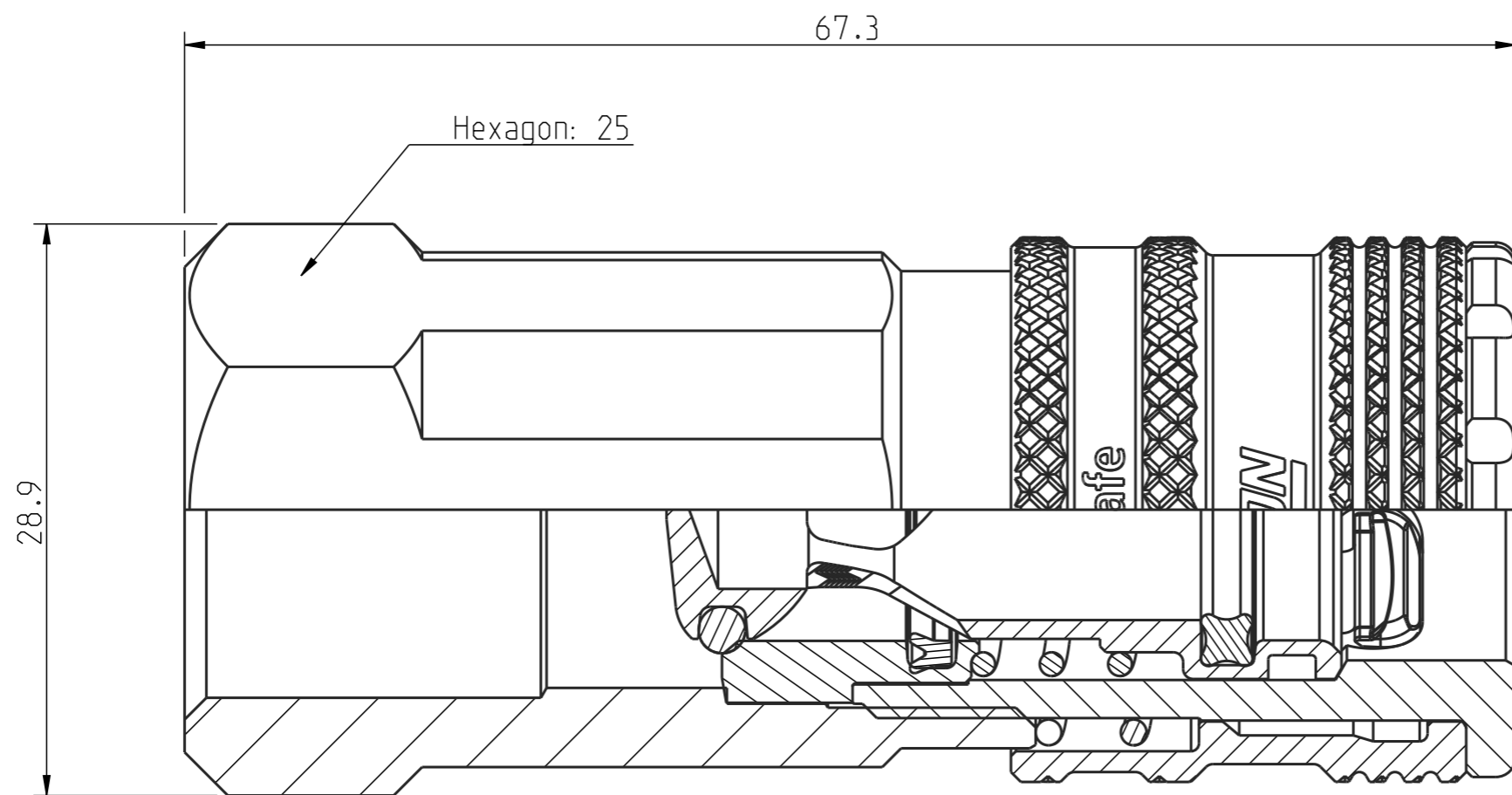
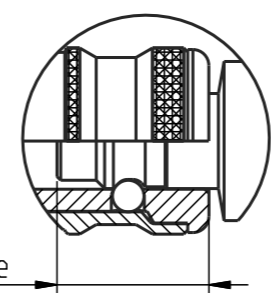


Diese Zeichnung darf weder ganz noch teilweise ohne unsere ausdrückliche Genehmigung kopiert oder auf andere Weise vervielfältigt werden. Alle Rechte vorbehalten.

Denna handling får ej utan vårt medgivande delges annan, kopieras eller eljest obehörigen användas. Överlåtelse härvid beivras med stöd av gällande lag. This document must not be copied, either completely or in part, without permission. Any infringement will have legal consequences.



1:1



Connection stroke

11	1	Valve seat	Brass
10	1	Valve	Brass
9	1	Spring	Stainless steel
8	1	Spring	Stainless steel
7	1	QUAD-Ring	NBR
6	1	O-ring	NBR
5	1	Locking sleeve	Hard. Steel, Zn 8 silver
4	1	Lip seal	NBR
3	3	Hook	Hard. Steel, Zn-Ni 8 transp.
2	1	Front part	Hard. Steel Zn 8 Silver
1	1	Back part	Steel, Zn 8 Silver

Detalj Item	Antal Quant.	Benämning Description	Material Material
-------------	--------------	-----------------------	-------------------

Product no: 10_410_2205	
DN:	10,4 mm
Connection stroke:	18,9 mm
Max WP connected:	16 bar
Min BP connected:	140 bar
Temperature range:	+100 °C - -20 °C
Connection:	G 1/2" Female
Sealing material:	NBR

<b>CEJN</b>	Skala Scale	3:1	Ritad Drawn	CABLHE	Kontr. Checked	-	Godk. Appr.	OG	Äm nr. Alt. no.	10580	Dat. Date	13-12-10
	Assembly drawing		Ritning nr./Drawing No.		50_410_2205		Utg./Issue		AA			

